

DIODE MODULE (F.R.D.)

FRD/FDS100BA60



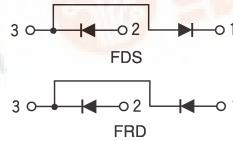
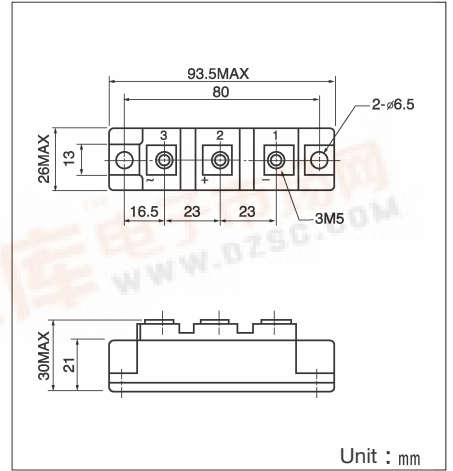
UL;E76102 (M)

FRD (FDS)100BA is a high speed dual diode module designed for high power switching application. FRD (FDS)100BA is suitable for high frequency application requiring low loss and high speed control.

- High Speed $t_{rr} \leq 100ns$
- $I_F(AV)$ 100A (each device)
- Isolated mounting construction.
- High Surge Capability

(Applications)

Switching Power Supply, Inverter Welding Power Supply
Power Supply for Telecommunication



Maximum Ratings

($T_j=25^\circ C$)

Symbol	Item	Ratings	Unit
V_{RRM}	Repetitive Peak Reverse Voltage	600	V
$V_R(DC)$	D.C. Reverse Voltage	480	V

Symbol	Item	Conditions	Ratings	Unit
I_F	Forward Current	D.C. $T_c : 94^\circ C$	100	A
I_{FSM}	Surge Forward Current	$\frac{1}{2}$ cycle, 60Hz, peak value, non-repetitive	2000	A
I^2t	I^2t	Value for One cycle of surge current	16700	A^2S
T_j	Operating Junction Temperature		-40~+150	$^\circ C$
T_{stg}	Storage Temperature		-40~+125	$^\circ C$
V_{iso}	Isolation Breakdown Voltage (R.M.S.)	A.C. 1 minute	2500	V
	Mounting Torque	Mounting (M6)	Recommended Value 2.5~3.9 (25~40)	4.7 (48) Nm
		Terminal (M5)	Recommended Value 1.5~2.5 (15~25)	2.7 (28) (kgf·cm)
	Mass		170	g

Electrical Characteristics

Symbol	Item	Conditions	Ratings	Unit
I_{RRM}	Repetitive Peak Reverse Current, max.	$V_R = V_{RRM}, T_j = 125^\circ C$	100	mA
V_{FM}	Forward Voltage Drop, max.	Forward current 100A, Inst. measurement	1.3	V
$R_{th(j-c)}$	Thermal Impedance, max.	Junction to case	0.4	$^\circ C/W$
t_{rr}	Reverse Recovery Time, max.	$I_F = 100A, di/dt = -100A/\mu s$	100	ns

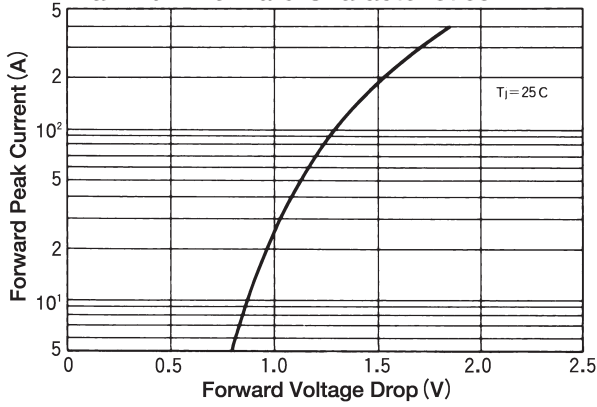


FRD/FDS100BA60

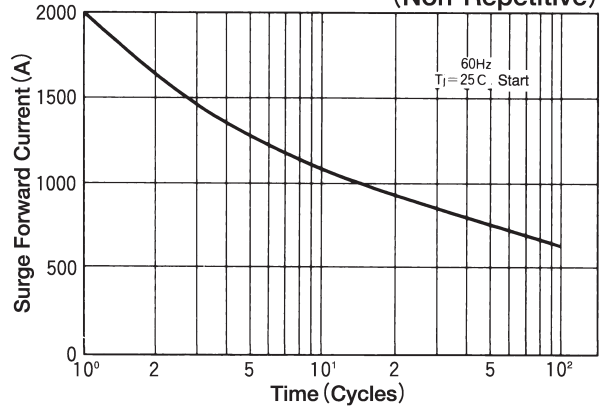
TOP



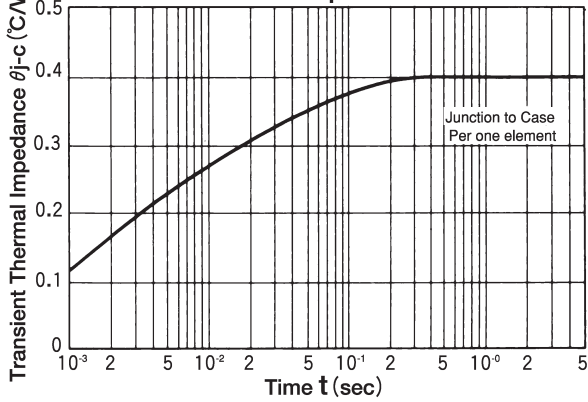
Maximum Forward Characteristics



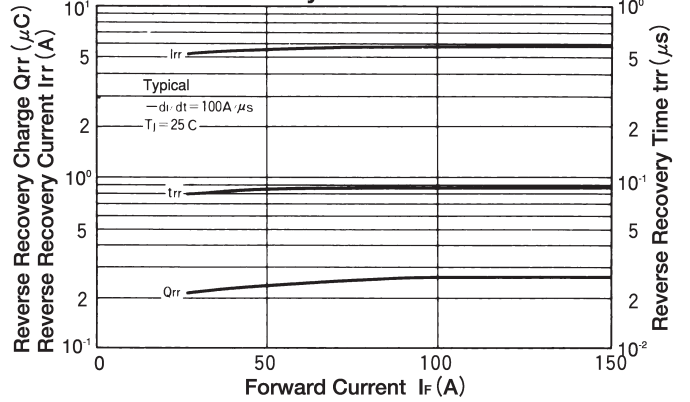
Cycle Surge Forward Current Rating (Non-Repetitive)



Transient Thermal Impedance



Reverse Recovery Characteristics



Reverse Recovery Characteristics $-di/dt$

