



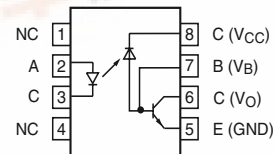
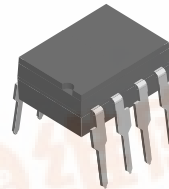
# SFH6135/ SFH6136

Vishay Semiconductors

## High Speed Optocoupler, 1 MBd, Transistor Output

### Features

- Isolation Test Voltage: 5300 V<sub>RMS</sub>
- TTL Compatible
- High Bit Rates: 1.0 Mbit/s
- High Common-mode Interference Immunity
- Bandwidth 2.0 MHz
- Open-collector Output
- External Base Wiring Possible



1179081

### Agency Approvals

- UL - File No. E52744 System Code H or J
- CSA 93751
- DIN EN 60747-5-2(VDE0884)  
DIN EN 60747-5-5 pending  
Available with Option 1

Signals can be transmitted between two electrically separated circuits up to frequencies of 2.0 MHz. The potential difference between the circuits to be coupled should not exceed the maximum permissible reference voltages.

### Description

The SFH6135 and SFH6136 optocouplers feature a high signal transmission rate and a high isolation resistance. They have a GaAlAs infrared emitting diode, optically coupled with an integrated photo detector which consists of a photo diode and a high-speed transistor in a DIP-8 plastic package.

### Order Information

| Part    | Remarks            |
|---------|--------------------|
| SFH6135 | CTR ≥ 7.0 %, DIP-8 |
| SFH6136 | CTR ≥ 19 %, DIP-8  |

For additional information on the available options refer to Option Information.

### Absolute Maximum Ratings

T<sub>amb</sub> = 25 °C, unless otherwise specified

Stresses in excess of the absolute Maximum Ratings can cause permanent damage to the device. Functional operation of the device is not implied at these or any other conditions in excess of those given in the operational sections of this document. Exposure to absolute Maximum Rating for extended periods of the time can adversely affect reliability.

### Input

| Parameter                     | Test condition              | Symbol            | Value | Unit |
|-------------------------------|-----------------------------|-------------------|-------|------|
| Reverse voltage               |                             | V <sub>R</sub>    | 3.0   | V    |
| Forward current               |                             | I <sub>F</sub>    | 25    | mA   |
| Peak forward current          | t = 1.0 ms, duty cycle 50 % | I <sub>FM</sub>   | 50    | mA   |
| Maximum surge forward current | t ≤ 1.0 μs, 300 pulses/s    | I <sub>FSM</sub>  | 1.0   | A    |
| Thermal resistance            |                             | R <sub>thja</sub> | 700   | K/W  |
| Power dissipation             |                             | P <sub>diss</sub> | 45    | mW   |



# SFH6135/ SFH6136



Vishay Semiconductors

## Output

| Parameter              | Test condition           | Symbol     | Value       | Unit |
|------------------------|--------------------------|------------|-------------|------|
| Supply voltage         |                          | $V_S$      | - 0.5 to 30 | V    |
| Output voltage         |                          | $V_O$      | - 0.5 to 25 | V    |
| Emitter-base voltage   |                          | $V_{EBO}$  | 5.0         | V    |
| Output current         |                          | $I_O$      | 8.0         | mA   |
| Maximum output current |                          | $I_O$      | 16          | mA   |
| Base current           |                          | $I_B$      | 5.0         | mA   |
| Thermal resistance     |                          | $R_{thja}$ | 300         | K/W  |
| Power dissipation      | $T_{amb} = 70\text{ °C}$ | $P_{diss}$ | 100         | mW   |

## Coupler

| Parameter  | Test condition  | Symbol    | Value          | Unit               |
|--|---|-----------|----------------|--------------------|
| Isolation test voltage                                     |   | $V_{ISO}$ | 5300           | $V_{RMS}$          |
| Pollution degree (DIN VDE 0110)                            |   |           | 2              |                    |
| Creepage   |   |           | $\geq 7.0$     | mm                 |
| Clearance  |   |           | $\geq 7.0$     | mm                 |
| Comparative tracking index per DIN IEC 112/VDE 0303 part 1 |   |           | 175            |                    |
| Isolation resistance                                       | $V_{IO} = 500\text{ V}, T_{amb} = 25\text{ °C}$   | $R_{IO}$  | $\geq 10^{12}$ | $\Omega$           |
|  | $V_{IO} = 500\text{ V}, T_{amb} = 100\text{ °C}$  | $R_{IO}$  | $\geq 10^{11}$ | $\Omega$           |
| Storage temperature range                                  |   | $T_{stg}$ | - 55 to + 125  | $^{\circ}\text{C}$ |
| Ambient temperature range                                  |   | $T_{amb}$ | - 55 to + 100  | $^{\circ}\text{C}$ |
| Soldering temperature                                      | max. $\leq 10\text{ s}$ , dip soldering<br>$\geq 0.5\text{ mm}$ distance from case bottom | $T_{sld}$ | 260            | $^{\circ}\text{C}$ |

## Electrical Characteristics

$T_{amb} = 25\text{ °C}$ , unless otherwise specified

Minimum and maximum values are testing requirements. Typical values are characteristics of the device and are the result of engineering evaluation. Typical values are for information only and are not part of the testing requirements.

## Input

| Parameter                                  | Test condition                         | Symbol                        | Min | Typ. | Max | Unit                         |
|--|--|-------------------------------|-----|------|-----|------------------------------|
| Forward voltage                            | $I_F = 16\text{ mA}$                   | $V_F$                         |     | 1.6  | 1.9 | V                            |
| Breakdown voltage                          | $I_R = 10\text{ }\mu\text{A}$          | $V_{BR}$                      | 3.0 |      |     | V                            |
| Reverse current                            | $V_R = 3.0\text{ V}$                   | $I_R$                         |     | 0.5  | 10  | $\mu\text{A}$                |
| Capacitance                                | $V_R = 0\text{ V}, f = 1.0\text{ MHz}$ | $C_O$                         |     | 125  |     | pF                           |
| Temperature coefficient of forward voltage | $I_F = 16\text{ mA}$                   | $\Delta V_F / \Delta T_{amb}$ |     | 1.7  |     | $\text{mV}/^{\circ}\text{C}$ |



## Output

| Parameter                   | Test condition   | Part    | Symbol    | Min | Typ. | Max | Unit          |
|-----------------------------|--|---------|-----------|-----|------|-----|---------------|
| Logic low supply current    | $I_F = 16 \text{ mA}$ , $V_O$ open, $V_{CC} = 15 \text{ V}$                  |         | $I_{CCL}$ |     | 150  |     | $\mu\text{A}$ |
| Logic high supply current   | $I_F = 0 \text{ mA}$ , $V_O$ open, $V_{CC} = 15 \text{ V}$                   |         | $I_{CCH}$ |     | 0.01 | 1.0 | $\mu\text{A}$ |
| Output voltage, output low  | $I_F = 16 \text{ mA}$ , $V_{CC} = 4.5 \text{ V}$ ,<br>$I_O = 1.1 \text{ mA}$ | SFH6135 | $V_{OL}$  |     | 0.1  | 0.4 | V             |
|                             | $I_F = 16 \text{ mA}$ , $V_{CC} = 4.5 \text{ V}$ ,<br>$I_O = 2.4 \text{ mA}$ | SFH6136 | $V_{OL}$  |     | 0.1  | 0.4 | V             |
| Output current, output high | $I_F = 0 \text{ mA}$ , $V_O = V_{CC} = 5.5 \text{ V}$                        |         | $I_{OH}$  |     | 3.0  | 500 | nA            |
|                             | $I_F = 0 \text{ mA}$ , $V_O = V_{CC} = 15 \text{ V}$                         |         | $I_{OH}$  |     | 0.01 | 1.0 | $\mu\text{A}$ |

## Coupler

| Parameter                  | Test condition        | Symbol   | Min | Typ. | Max | Unit |
|----------------------------|-----------------------|----------|-----|------|-----|------|
| Capacitance (input-output) | $f = 1.0 \text{ MHz}$ | $C_{IO}$ |     | 0.6  |     | pF   |

## Current Transfer Ratio

| Parameter              | Test condition  | Part    | Symbol | Min | Typ. | Max | Unit |
|------------------------|---|---------|--------|-----|------|-----|------|
| Current Transfer Ratio | $I_F = 16 \text{ mA}$ , $V_O = 0.4 \text{ V}$ ,<br>$V_{CC} = 4.5 \text{ V}$ | SFH6135 | CTR    | 7   | 16   |     | %    |
|                        |   | SFH6136 | CTR    | 19  | 35   |     | %    |
|                        | $I_F = 16 \text{ mA}$ , $V_O = 0.5 \text{ V}$ ,<br>$V_{CC} = 4.5 \text{ V}$ | SFH6135 | CTR    | 5   |      |     | %    |
|                        |   | SFH6136 | CTR    | 15  |      |     | %    |

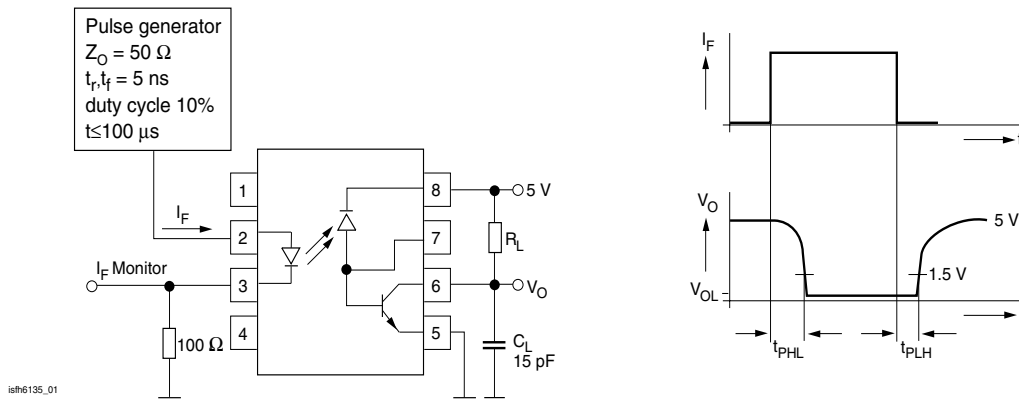
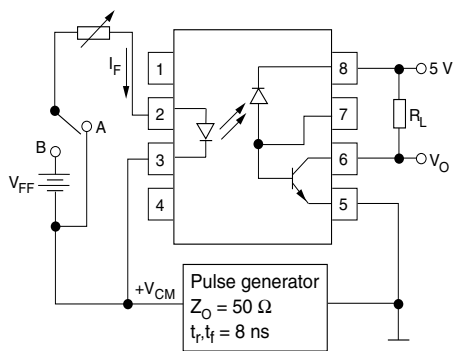


Fig. 1 Schematics

## Switching Characteristics

### Delay Time

| Parameter | Test condition  | Part    | Symbol    | Min | Typ. | Max | Unit          |
|-----------|---|---------|-----------|-----|------|-----|---------------|
| High-low  | $I_F = 16 \text{ mA}$ , $V_{CC} = 5.0 \text{ V}$ ,<br>$R_L = 4.1 \text{ k}\Omega$ | SFH6135 | $t_{PHL}$ |     | 0.3  | 1.5 | $\mu\text{s}$ |
|           | $I_F = 16 \text{ mA}$ , $V_{CC} = 5.0 \text{ V}$ ,<br>$R_L = 1.9 \text{ k}\Omega$ | SFH6136 | $t_{PHL}$ |     | 0.2  | 0.8 | $\mu\text{s}$ |
| Low-high  | $I_F = 16 \text{ mA}$ , $V_{CC} = 5.0 \text{ V}$ ,<br>$R_L = 4.1 \text{ k}\Omega$ | SFH6135 | $t_{PLH}$ |     | 0.3  | 1.5 | $\mu\text{s}$ |
|           | $I_F = 16 \text{ mA}$ , $V_{CC} = 5.0 \text{ V}$ ,<br>$R_L = 1.9 \text{ k}\Omega$ | SFH6136 | $t_{PLH}$ |     | 0.2  | 0.8 | $\mu\text{s}$ |



isfh6135\_02

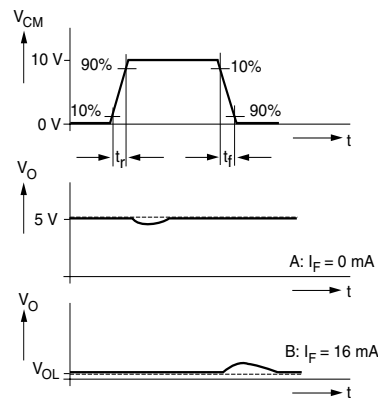


Fig. 2 Common-Mode Interference Immunity

## Common Mode Transient Immunity

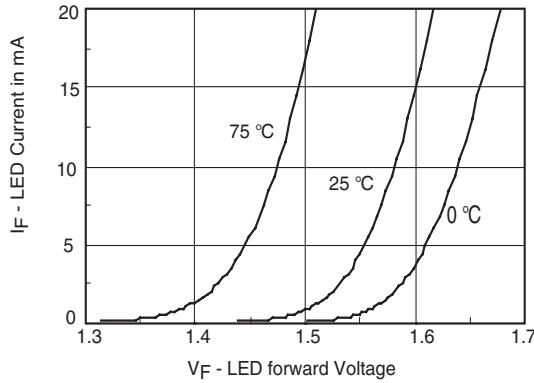
| Parameter | Test condition   | Part    | Symbol | Min | Typ. | Max | Unit                   |
|-----------|--|---------|--------|-----|------|-----|------------------------|
| High      | $V_{CM} = 10 \text{ V}_{P-P}$ , $V_{CC} = 5.0 \text{ V}$ ,<br>$I_F = 0 \text{ mA}$ , $R_L = 4.1 \text{ k}\Omega$ | SFH6135 | $CM_H$ |     | 1000 |     | $\text{V}/\mu\text{s}$ |
|           | $V_{CM} = 10 \text{ V}_{P-P}$ , $V_{CC} = 5.0 \text{ V}$ ,<br>$I_F = 0 \text{ mA}$ , $R_L = 1.9 \text{ k}\Omega$ | SFH6136 | $CM_H$ |     | 1000 |     | $\text{V}/\mu\text{s}$ |
| Low       | $V_{CM} = 10 \text{ V}_{P-P}$ , $V_{CC} = 5.0 \text{ V}$ ,<br>$I_F = 0 \text{ mA}$ , $R_L = 4.1 \text{ k}\Omega$ | SFH6135 | $CM_L$ |     | 1000 |     | $\text{V}/\mu\text{s}$ |
|           | $V_{CM} = 10 \text{ V}_{P-P}$ , $V_{CC} = 5.0 \text{ V}$ ,<br>$I_F = 0 \text{ mA}$ , $R_L = 1.9 \text{ k}\Omega$ | SFH6136 | $CM_L$ |     | 1000 |     | $\text{V}/\mu\text{s}$ |



# SFH6135/ SFH6136

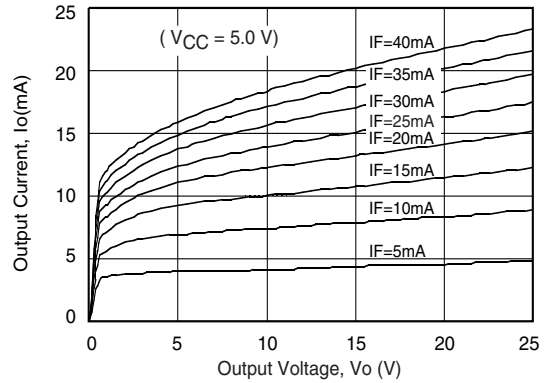
Vishay Semiconductors

## Typical Characteristics ( $T_{amb} = 25\text{ }^{\circ}\text{C}$ unless otherwise specified)



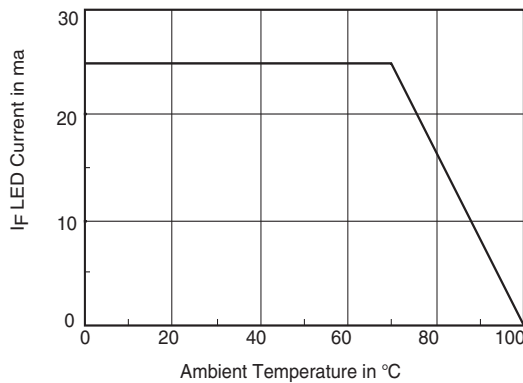
isfh6135\_03

Fig. 3 LED Forward Current vs. Forward Voltage



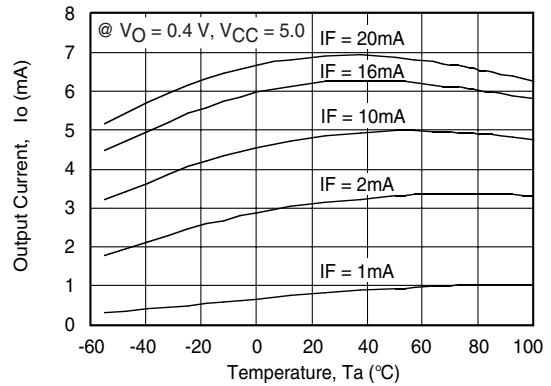
isfh6135\_06

Fig. 6 Output Current vs. Output Voltage



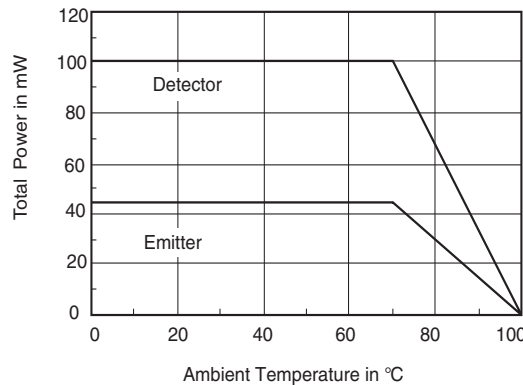
isfh6135\_04

Fig. 4 Permissible Forward LED Current vs. Temperature



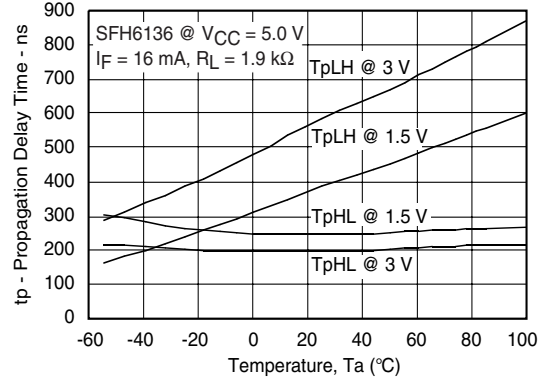
isfh6135\_07

Fig. 7 Output Current vs. Temperature



isfh6135\_05

Fig. 5 Permissible Power Dissipation vs. Temperature



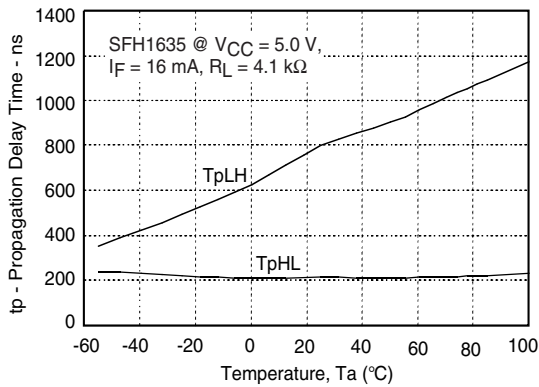
isfh6135\_08

Fig. 8 Propagation Delay vs. Temperature-SFH6136

# SFH6135/ SFH6136

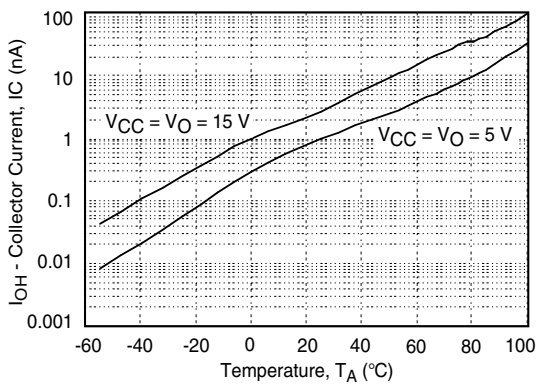


Vishay Semiconductors



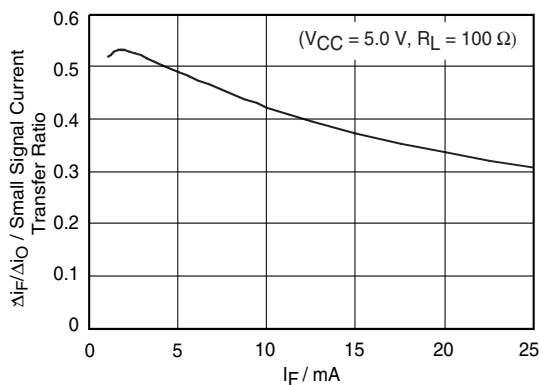
isfh6135\_09

Fig. 9 Propagation Delay vs. Temperature-SFH6135



isfh6135\_10

Fig. 10 Logic High Output Current vs. Temperature



isfh6135\_11

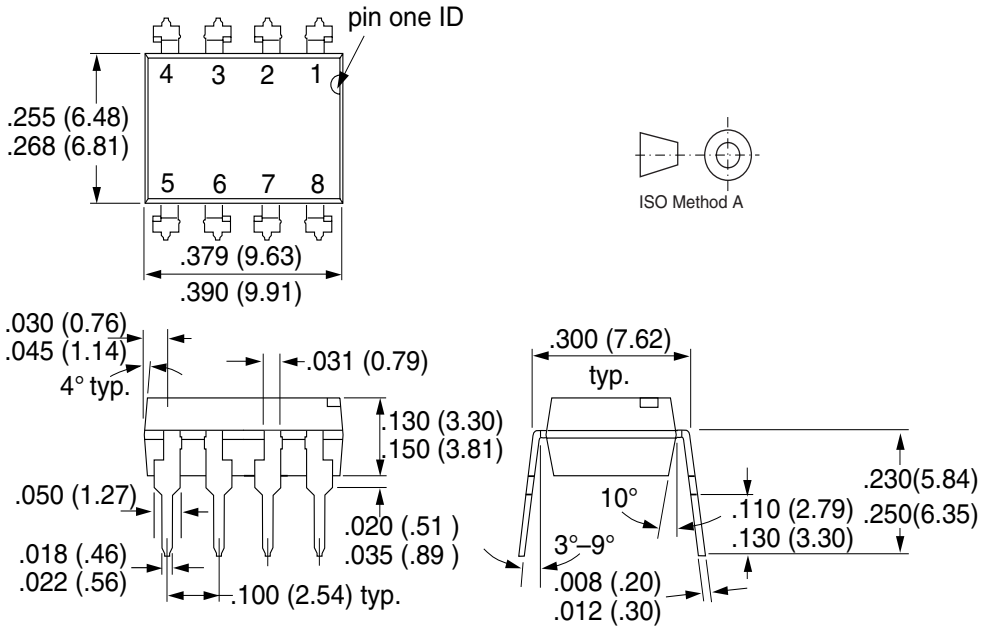
Fig. 11 Small Signal Current Transfer Ratio vs. Quiescent Input Current



# SFH6135/ SFH6136

Vishay Semiconductors

## Package Dimensions in Inches (mm)



i178006

### Ozone Depleting Substances Policy Statement

It is the policy of **Vishay Semiconductor GmbH** to

1. Meet all present and future national and international statutory requirements.
2. Regularly and continuously improve the performance of our products, processes, distribution and operating systems with respect to their impact on the health and safety of our employees and the public, as well as their impact on the environment.

It is particular concern to control or eliminate releases of those substances into the atmosphere which are known as ozone depleting substances (ODSs).

The Montreal Protocol (1987) and its London Amendments (1990) intend to severely restrict the use of ODSs and forbid their use within the next ten years. Various national and international initiatives are pressing for an earlier ban on these substances.

**Vishay Semiconductor GmbH** has been able to use its policy of continuous improvements to eliminate the use of ODSs listed in the following documents.

1. Annex A, B and list of transitional substances of the Montreal Protocol and the London Amendments respectively
2. Class I and II ozone depleting substances in the Clean Air Act Amendments of 1990 by the Environmental Protection Agency (EPA) in the USA
3. Council Decision 88/540/EEC and 91/690/EEC Annex A, B and C (transitional substances) respectively.

**Vishay Semiconductor GmbH** can certify that our semiconductors are not manufactured with ozone depleting substances and do not contain such substances.

**We reserve the right to make changes to improve technical design  
and may do so without further notice.**

Parameters can vary in different applications. All operating parameters must be validated for each customer application by the customer. Should the buyer use Vishay Semiconductors products for any unintended or unauthorized application, the buyer shall indemnify Vishay Semiconductors against all claims, costs, damages, and expenses, arising out of, directly or indirectly, any claim of personal damage, injury or death associated with such unintended or unauthorized use.

Vishay Semiconductor GmbH, P.O.B. 3535, D-74025 Heilbronn, Germany  
Telephone: 49 (0)7131 67 2831, Fax number: 49 (0)7131 67 2423