



ICS552-03

LOW SKEW 1 TO 8 CLOCK BUFFER (4 AT 1X, 4 AT 1/2X)

Description

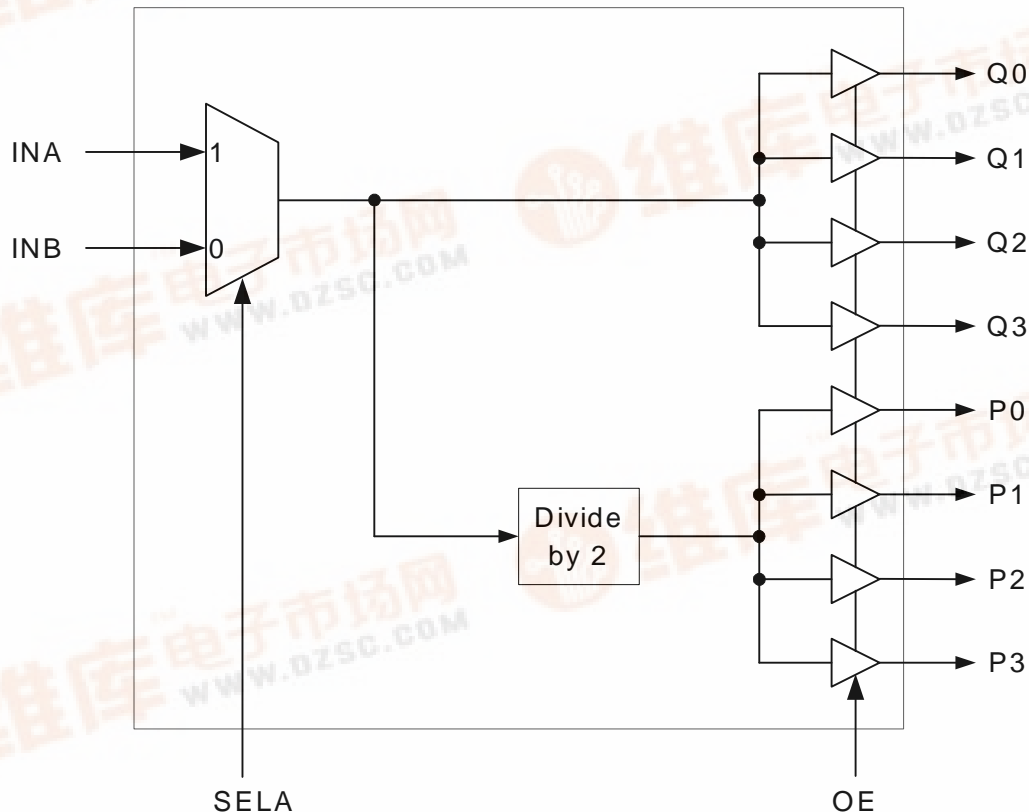
The ICS552-03 is a low skew, single input to eight output clock buffer. Four of the outputs are exact copies of the input, while the other four are divide by 2 copies of the input. It is part of ICS' Clock Blocks™ family. See the ICS553 for a 1 to 4 low skew buffer, or the ICS552-02 for a 1 to 8 low skew buffer without divide by 2. For more than 8 outputs see the MK74CBxxx Buffalo™ series of clock drivers.

ICS makes many non-PLL and PLL based low skew output devices as well as Zero Delay Buffers to synchronize clocks. Contact us for all of your clocking needs.

Features

- Low skew outputs (50 ps maximum)
- Packaged in 16 pin TSSOP
- Low power CMOS technology
- Operating Voltages of 2.5 V to 5 V
- Output Enable pin tri-states outputs
- Low skew between 1X and 1/2X outputs (100 ps maximum)
- One bank of 4 outputs at 1X
- One bank of 4 outputs at 1/2X
- 5V tolerant input clocks
- Input clock multiplexer

Block Diagram





Pin Assignment

OE	<input type="checkbox"/>	1	16	<input type="checkbox"/>	SELA
VDD	<input type="checkbox"/>	2	15	<input type="checkbox"/>	VDD
Q0	<input type="checkbox"/>	3	14	<input type="checkbox"/>	P3
Q1	<input type="checkbox"/>	4	13	<input type="checkbox"/>	P2
Q2	<input type="checkbox"/>	5	12	<input type="checkbox"/>	P1
Q3	<input type="checkbox"/>	6	11	<input type="checkbox"/>	P0
GND	<input type="checkbox"/>	7	10	<input type="checkbox"/>	GND
INB	<input type="checkbox"/>	8	9	<input type="checkbox"/>	INA

16 Pin 173 Mil (0.65mm) TSSOP

Input Source Select

SELA	Input
0	INB
1	INA

Pin Descriptions

Pin Number	Pin Name	Pin Type	Pin Description
1	OE	Input	Output Enable. Tri-states outputs when low. Internal Pull-up resistor
2	VDD	Power	Connect to +2.5 V, +3.3 V or +5.0 V. Must be the same as pin 15
3	Q0	Output	Clock Output Q0
4	Q1	Output	Clock Output Q1
5	Q2	Output	Clock Output Q2
6	Q3	Output	Clock Output Q3
7	GND	Power	Ground
8	INB	Input	Clock Input B. 5 V tolerant input
9	INA	Input	Clock Input A. 5 V tolerant input
10	GND	Power	Ground
11	P0	Output	Clock Output P0
12	P1	Output	Clock Output P1
13	P2	Output	Clock Output P2
14	P3	Output	Clock Output P3
15	VDD	Power	Connect to +2.5 V, +3.3 V or +5.0 V. Must be the same as pin 2
16	SELA	Input	Selects either INA or INB. Internal pull-up resistor

External Components

A minimum number of external components are required for proper operation. Decoupling capacitors of 0.01 μ F should be connected between VDD on pin 2 and GND on pin 7, and between VDD on pin 15 and GND on pin 10, as close to the device as possible. A 33 Ω series terminating resistor should be used on each clock output if the trace is longer than 1 inch.

To achieve the low output skews that the ICS552-03 is capable of, careful attention must be paid to board layout. Essentially, all 8 outputs must have identical terminations, identical loads, and identical trace geometries. If they do not, the output skew will be degraded. For example, using a 30 Ω series termination on one output (with 33 Ω on the others) will cause at least 15 ps of skew.



Absolute Maximum Ratings

Stresses above the ratings listed below can cause permanent damage to the ICS552-03. These ratings, which are standard values for ICS commercially rated parts, are stress ratings only. Functional operation of the device at these or any other conditions above those indicated in the operational sections of the specifications is not implied. Exposure to absolute maximum rating conditions for extended periods can affect product reliability. Electrical parameters are guaranteed only over the recommended operating temperature range.

Item	Rating
Supply Voltage, VDD	7 V
All Inputs and Outputs	-0.5 V to VDD+0.5 V
Ambient Operating Temperature	0 to +70 °C
Storage Temperature	-65 to +150 °C
Junction Temperature	175 °C
Soldering Temperature	260 °C

Recommended Operation Conditions

Parameter	Min.	Typ.	Max.	Units
Ambient Operating Temperature	0	–	+70	°C
Power Supply Voltage (measured in respect to GND)	+2.375		+5.25	V

DC Electrical Characteristics

VDD=2.5V ±5%, Ambient temperature 0 to +70°C, unless stated otherwise

Parameter	Symbol	Conditions	Min.	Typ.	Max.	Units
Operating Voltage	VDD		2.375		2.625	V
Input High Voltage, INA, INB	V _{IH}	Note 1	VDD/2+0.5		5.5	V
Input Low Voltage, INA, INB	V _{IL}	Note 1			VDD/2-0.5	V
Input High Voltage, OE, SELA	V _{IH}		2		VDD	V
Input Low Voltage, OE, SELA	V _{IL}				0.4	V
Output High Voltage	V _{OH}	I _{OH} = -16 mA	2.4			V
Output Low Voltage	V _{OL}	I _{OL} = 16 mA			0.8	V
Operating Supply Current	IDD	No load, 100 MHz		20		mA
Short Circuit Current	I _{OS}	Each output		60		mA



DC Electrical Characteristics (continued)

VDD=3.3V ±5%, Ambient temperature 0 to +70°C, unless stated otherwise

Parameter	Symbol	Conditions	Min.	Typ.	Max.	Units
Operating Voltage	VDD		3.135		3.465	V
Input High Voltage, INA, INB	V _{IH}	Note 1	VDD/2+0.7		5.5	V
Input Low Voltage, INA, INB	V _{IL}	Note 1			VDD/2-0.7	V
Input High Voltage, OE, SELA	V _{IH}		2		VDD	V
Input Low Voltage, OE, SELA	V _{IL}				0.4	V
Output High Voltage	V _{OH}	I _{OH} = -25 mA	2.4			V
Output Low Voltage	V _{OL}	I _{OL} = 25 mA			0.8	V
Operating Supply Current	IDD	No load, 100 MHz		25		mA
Short Circuit Current	I _{OS}	Each output		80		mA

VDD=5V ±5%, Ambient temperature 0 to +70°C, unless stated otherwise

Parameter	Symbol	Conditions	Min.	Typ.	Max.	Units
Operating Voltage	VDD		4.75		5.25	V
Input High Voltage, INA, INB	V _{IH}	Note 1	VDD/2+1		5.5	V
Input Low Voltage, INA, INB	V _{IL}	Note 1			VDD/2-1	V
Input High Voltage, OE, SELA	V _{IH}		2		VDD	V
Input Low Voltage, OE, SELA	V _{IL}				0.4	V
Output High Voltage	V _{OH}	I _{OH} = -45 mA	2.4			V
Output Low Voltage	V _{OL}	I _{OL} = 45 mA			0.8	V
Operating Supply Current	IDD	No load, 100 MHz		45		mA
Short Circuit Current	I _{OS}	Each output		100		mA

Notes: 1. Nominal switching threshold is VDD/2

AC Electrical Characteristics

VDD = 2.5V ±5%, Ambient Temperature 0 to +70° C, unless stated otherwise

Parameter	Symbol	Conditions	Min.	Typ.	Max.	Units
Input Frequency			0		160	MHz
Output Rise Time	t _{OR}	0.8 to 2.0 V, C _L =15 pF		1.5		ns
Output Fall Time	t _{OF}	2.0 to 0.8 V, C _L =15 pF		1.5		ns
Propagation Delay	Note 1			6.5		ns
Output to output skew. Between any two Q outputs	Note 2	Rising edges at VDD/2		0	50	ps
Output to output skew. Between any two P outputs	Note 2	Rising edges at VDD/2		0	50	ps
Output to output skew. Between any P to any Q output	Note 2	Rising edges at VDD/2		0	100	ps
Input A to Input B skew.	Note 3			0	50	ps

**AC Electrical Characteristics (continued)****VDD = 3.3V ±5%**, Ambient Temperature 0 to +70° C, unless stated otherwise

Parameter	Symbol	Conditions	Min.	Typ.	Max.	Units
Input Frequency			0		200	MHz
Output Rise Time	t _{OR}	0.8 to 2.0 V, C _L =15 pF		1.0		ns
Output Fall Time	t _{OF}	2.0 to 0.8 V, C _L =15 pF		1.0		ns
Propagation Delay	Note 1			5		ns
Output to output skew. Between any two Q outputs	Note 2	Rising edges at VDD/2		0	50	ps
Output to output skew. Between any two P outputs	Note 2	Rising edges at VDD/2		0	50	ps
Output to output skew. Between any P to any Q output	Note 2	Rising edges at VDD/2		0	100	ps
Input A to Input B skew	Note 3			0	50	ps

VDD = 5.0V ±5%, Ambient Temperature 0 to +70° C, unless stated otherwise

Parameter	Symbol	Conditions	Min.	Typ.	Max.	Units
Input Frequency			0		160	MHz
Output Rise Time	t _{OR}	0.8 to 2.0 V, C _L =15 pF		0.7		ns
Output Fall Time	t _{OF}	2.0 to 0.8 V, C _L =15 pF		0.7		ns
Propagation Delay	Note 1			4		ns
Output to output skew. Between any two Q outputs	Note 2	Rising edges at VDD/2		0	50	ps
Output to output skew. Between any two P outputs	Note 2	Rising edges at VDD/2		0	50	ps
Output to output skew. Between any P to any Q output	Note 2	Rising edges at VDD/2		0	100	ps
Input A to Input B skew	Note 3			0	50	ps

Notes: 1. With rail to rail input clock

2. Between any two outputs with equal loading

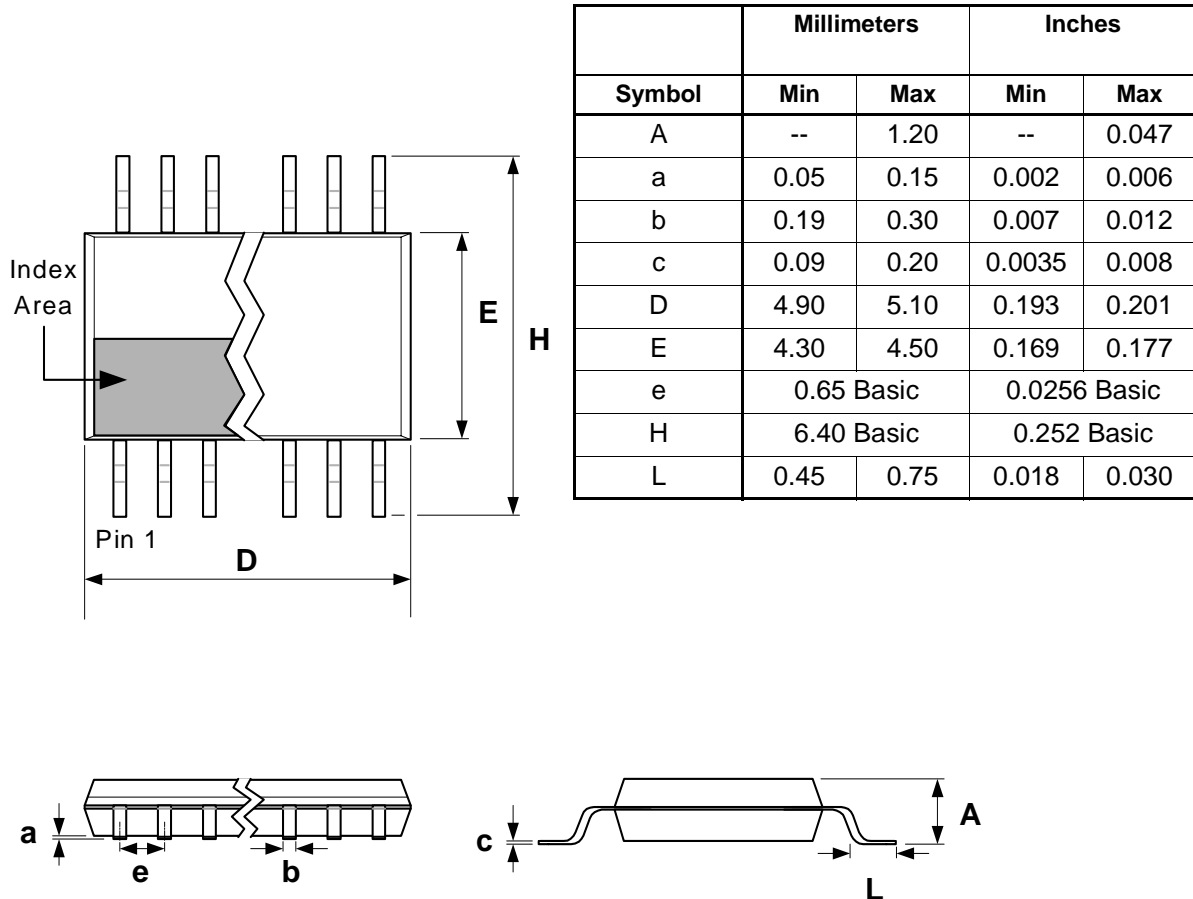
3. Propagation delay matching through the part

4. Duty cycle on outputs will match incoming clock duty cycle. Consult ICS for tight duty cycle clock generators.



Package Outline and Package Dimensions (16 pin TSSOP, 173 Mil. Body)

Package dimensions are kept current with JEDEC Publication No. 95



Ordering Information

Part / Order Number	Marking (both)	Shipping packaging	Package	Temperature
ICS552G-03	ICS (top line)	Tubes	16 pin TSSOP	0 to +70 °C
ICS552G-03T	552G-03 (2nd line)	Tape and Reel	16 pin TSSOP	0 to +70 °C

While the information presented herein has been checked for both accuracy and reliability, Integrated Circuit Systems (ICS) assumes no responsibility for either its use or for the infringement of any patents or other rights of third parties, which would result from its use. No other circuits, patents, or licenses are implied. This product is intended for use in normal commercial applications. Any other applications such as those requiring extended temperature range, high reliability, or other extraordinary environmental requirements are not recommended without additional processing by ICS. ICS reserves the right to change any circuitry or specifications without notice. ICS does not authorize or warrant any ICS product for use in life support devices or critical medical instruments.