



MOS INTEGRATED CIRCUIT  
 $\mu$ PD78P4038

16/8-BIT SINGLE-CHIP MICROCONTROLLER

The  $\mu$ PD78P4038, 78K/IV Series' product, is a one-time PROM or EPROM version of the  $\mu$ PD784035,  $\mu$ PD784036,  $\mu$ PD784037, and  $\mu$ PD784038 with internal masked ROM.

Since user programs can be written to PROM, this microcontroller is best suited for evaluation in system development, manufacture of small quantities of multiple products, and fast start-up of applications.

**For specific functions and other detailed information, consult the following user's manual.**

**This manual is required reading for design work.**

$\mu$ PD784038, 784038Y Subseries User's Manual, Hardware : U11316E  
 78K/IV Series User's Manual, Instruction : U10905E

**FEATURES**

- Compatible with the  $\mu$ PD78P238,  $\mu$ PD78P4026, and  $\mu$ PD78P4038Y
- Internal PROM: 128 Kbytes
  - $\mu$ PD78P4038KK-T : EPROM (best suited for system evaluation)
  - $\mu$ PD78P4038GC-3B9 : One-time PROM (best suited for manufacture of small quantities)
  - $\mu$ PD78P4038GC-8BT : One-time PROM (best suited for manufacture of small quantities)
  - $\mu$ PD78P4038GK-BE9 : One-time PROM (best suited for manufacture of small quantities)
- Internal RAM : 4,352 bytes
- Power supply voltage:  $V_{DD} = 2.7$  to  $5.5$  V
- QTOP™ microcomputer (In the planning phase)

**Remark** The QTOP microcomputer is a microcomputer with a built-in one-time PROM that is totally supported by NEC. The support includes writing application programs, marking, screening, and verification.

**ORDERING INFORMATION**

	Part number	Package	Internal ROM
	$\mu$ PD78P4038GC-3B9	80-pin plastic QFP (14 × 14 × 2.7 mm)	One-time PROM
★	$\mu$ PD78P4038GC-xxx-3B9	80-pin plastic QFP (14 × 14 × 2.7 mm)	One-time PROM (QTOP microcomputer)
	$\mu$ PD78P4038GC-8BT	80-pin plastic QFP (14 × 14 × 1.4 mm)	One-time PROM
	$\mu$ PD78P4038GK-BE9	80-pin plastic TQFP (fine pitch) (12 × 12 mm)	One-time PROM
★	$\mu$ PD78P4038GK-xxx-BE9	80-pin plastic TQFP (fine pitch) (12 × 12 mm)	One-time PROM (QTOP microcomputer)
	$\mu$ PD78P4038KK-T	80-pin ceramic WQFN (14 × 14 mm)	EPROM

**In this reference, all ROM components that are common to one-time PROM and EPROM are referred to as PROM.**

The information in this document is subject to change without notice.

QUALITY GRADE

	Part number	Package	Quality grade
	μPD78P4038GC-3B9	80-pin plastic QFP (14 × 14 × 2.7 mm)	Standard (for general electronic equipment)
★	μPD78P4038GC-xxx-3B9	80-pin plastic QFP (14 × 14 × 2.7 mm)	Standard (for general electronic equipment)
	μPD78P4038GC-8BT	80-pin plastic QFP (14 × 14 × 1.4 mm)	Standard (for general electronic equipment)
	μPD78P4038GK-BE9	80-pin plastic TQFP (fine pitch) (12 × 12 mm)	Standard (for general electronic equipment)
★	μPD78P4038GK-xxx-BE9	80-pin plastic TQFP (fine pitch) (12 × 12 mm)	Standard (for general electronic equipment)
	μPD78P4038KK-T	80-pin ceramic WQFN (14 × 14 mm)	Not applied (for function evaluation)

Please refer to "Quality Grades on NEC Semiconductor Devices" (Document No. C11531E) published by NEC Corporation to know the specification of quality grade on the devices and its recommended applications.

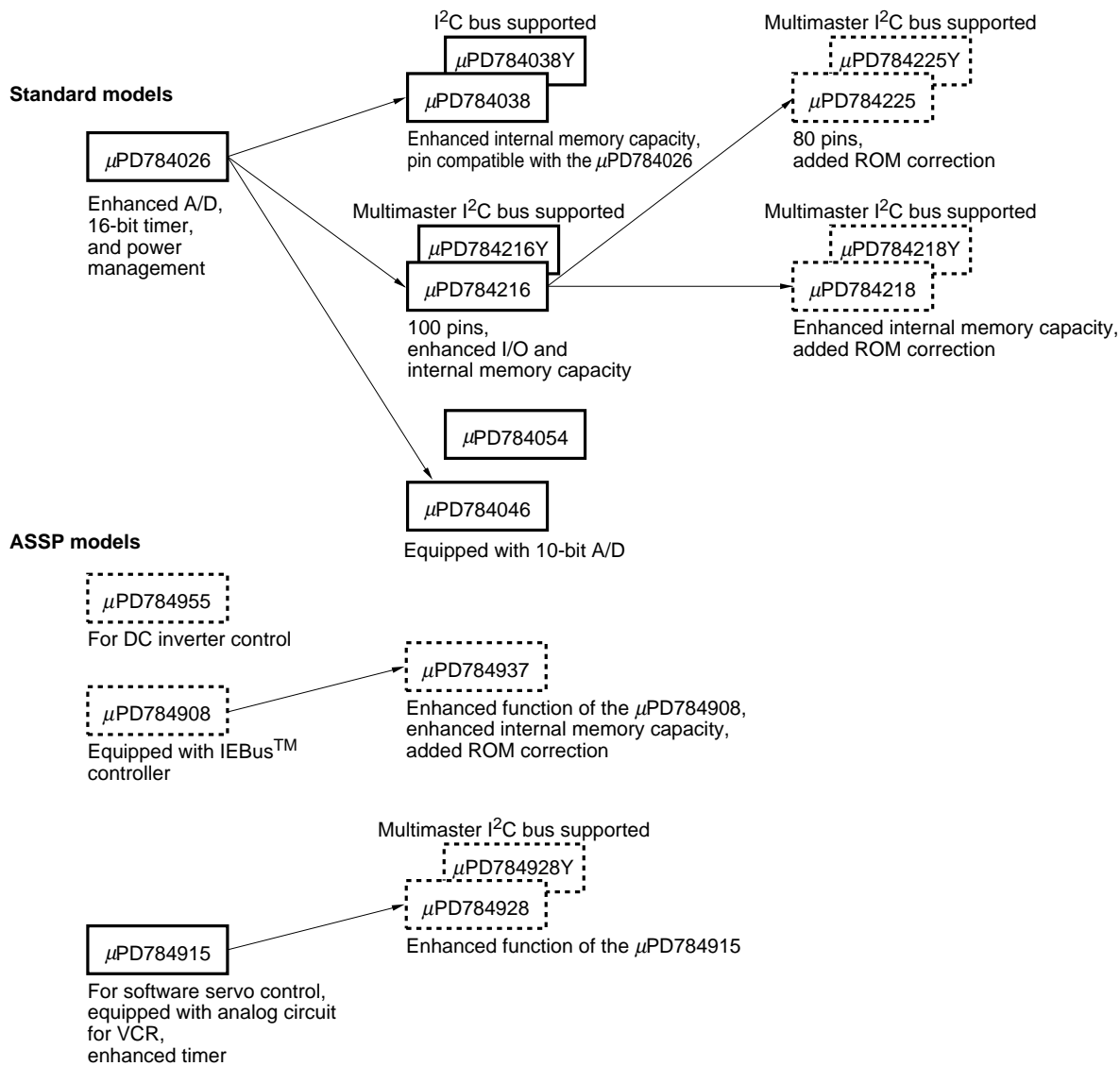
**Caution** The EPROM versions of the μPD78P4038 are not intended for use in mass-produced products; they do not have reliability high enough for such purposes. Their use should be restricted to functional evaluation in experiment or trial manufacture.

**Remark** xxx indicates ROM code suffix.

★ 78K/IV SERIES PRODUCT DEVELOPMENT DIAGRAM

: Under mass production

: Under development



FUNCTIONS

(1/2)

Item		Functions	
Number of basic instructions (mnemonics)		113	
General-purpose register		8 bits × 16 registers × 8 banks, or 16 bits × 8 registers × 8 banks (memory mapping)	
Minimum instruction execution time		125 ns/250 ns/500 ns/1,000 ns (at 32 MHz)	
Internal memory	PROM	128 Kbytes (Can be changed to 48 K, 64 K, or 96 Kbytes by software)	
	RAM	4,352 bytes (Can be changed to 2,048 or 3,584 bytes by software)	
Memory space		Program and data: 1 Mbyte	
I/O ports	Total	64	
	Input	8	
	Input/output	56	
Additional function pins <sup>Note</sup>	Pins with pull-up resistor	54	
	LED direct drive outputs	24	
	Transistor direct drive	8	
Real-time output ports		4 bits × 2, or 8 bits × 1	
Timer/counter		Timer/counter 0: Timer register × 1 (16 bits) Capture register × 1 Compare register × 2	Pulse output capability • Toggle output • PWM/PPG output • One-shot pulse output
		Timer/counter 1: Timer register × 1 (8/16 bits) Capture register × 1 Capture/compare register × 1 Compare register × 1	Pulse output capability • Real-time output (4 bits × 2)
		Timer/counter 2: Timer register × 1 (8/16 bits) Capture register × 1 Capture/compare register × 1 Compare register × 1	Pulse output capability • Toggle output • PWM/PPG output
		Timer 3 : Timer register × 1 (8/16 bits) Compare register × 1	
PWM outputs		12-bit resolution × 2 channels	
Serial interface		UART/IOE (3-wire serial I/O): 2 channels (incorporating baud rate generator) CSI (3-wire serial I/O, 2-wire serial I/O): 1 channel	
A/D converter		8-bit resolution × 8 channels	
D/A converter		8-bit resolution × 2 channels	

**Note** Additional function pins are included in the I/O pins.

(2/2)

Item		Functions
Clock output		Selected from $f_{CLK}$ , $f_{CLK}/2$ , $f_{CLK}/4$ , $f_{CLK}/8$ , or $f_{CLK}/16$ (can be used as a 1-bit output port)
Watchdog timer		1 channel
Standby		HALT/STOP/IDLE mode
Interrupt	Hardware source	23 (16 internal, 7 external (sampling clock variable input: 1))
	Software source	BRK instruction, BRKCS instruction, operand error
	Nonmaskable	1 internal, 1 external
	Maskable	15 internal, 6 external
		<ul style="list-style-type: none"> <li>• 4-level programmable priority</li> <li>• 3 operation statuses: vectored interrupt, macro service, context switching</li> </ul>
Supply voltage		$V_{DD} = 2.7$ to $5.5$ V
Package		80-pin plastic QFP ( $14 \times 14 \times 2.7$ mm) 80-pin plastic QFP ( $14 \times 14 \times 1.4$ mm) 80-pin plastic TQFP (fine pitch) ( $12 \times 12$ mm) 80-pin ceramic WQFN ( $14 \times 14$ mm)

## CONTENTS

1. DIFFERENCES BETWEEN $\mu$ PD78P4038 AND MASKED ROM PRODUCTS .....	7
2. PIN CONFIGURATION (TOP VIEW) .....	8
3. BLOCK DIAGRAM .....	11
4. LIST OF PIN FUNCTIONS .....	12
4.1 Pins for Normal Operating Mode .....	12
4.2 Pins for PROM Programming Mode ( $V_{PP} \geq +5$ V or $+12.5$ V, $\overline{RESET} = L$ ) .....	15
4.2.1 Pin functions .....	15
4.2.2 Pin functions .....	16
4.3 I/O Circuits for Pins and Handling of Unused Pins .....	17
5. INTERNAL MEMORY SWITCHING REGISTER (IMS) .....	20
6. PROM PROGRAMMING .....	21
6.1 Operation Mode .....	21
6.2 PROM Write Sequence .....	23
6.3 PROM Read Sequence .....	27
7. ERASURE CHARACTERISTICS ( $\mu$ PD78P4038KK-T ONLY) .....	28
8. PROTECTIVE FILM COVERING THE ERASURE WINDOW ( $\mu$ PD78P4038KK-T ONLY) ....	28
9. QUALITY .....	28
10. SCREENING ONE-TIME PROM PRODUCTS .....	28
11. ELECTRICAL CHARACTERISTICS .....	29
12. PACKAGE DRAWINGS .....	55
13. RECOMMENDED SOLDERING CONDITIONS .....	59
APPENDIX A DEVELOPMENT TOOLS .....	61
APPENDIX B CONVERSION SOCKET (EV-9200GC-80) AND CONVERSION ADAPTER (TGK-080SDW) .....	64
APPENDIX C RELATED DOCUMENTS .....	67

**1. DIFFERENCES BETWEEN μPD78P4038 AND MASKED ROM PRODUCTS**

The μPD78P4038 is produced by replacing the masked ROM in the μPD784035, μPD784036, μPD784037, or μPD784038 with PROM to which data can be written. The functions of the μPD78P4038 are the same as those of the μPD784035, μPD784036, μPD784037, or μPD784038 except for the PROM specification such as writing and verification, except that the PROM size can be changed to 48 K, 64 K, or 96 Kbytes, and except that the internal RAM size can be changed to 2,048 or 3,584 bytes.

Table 1-1 shows the differences between these products.

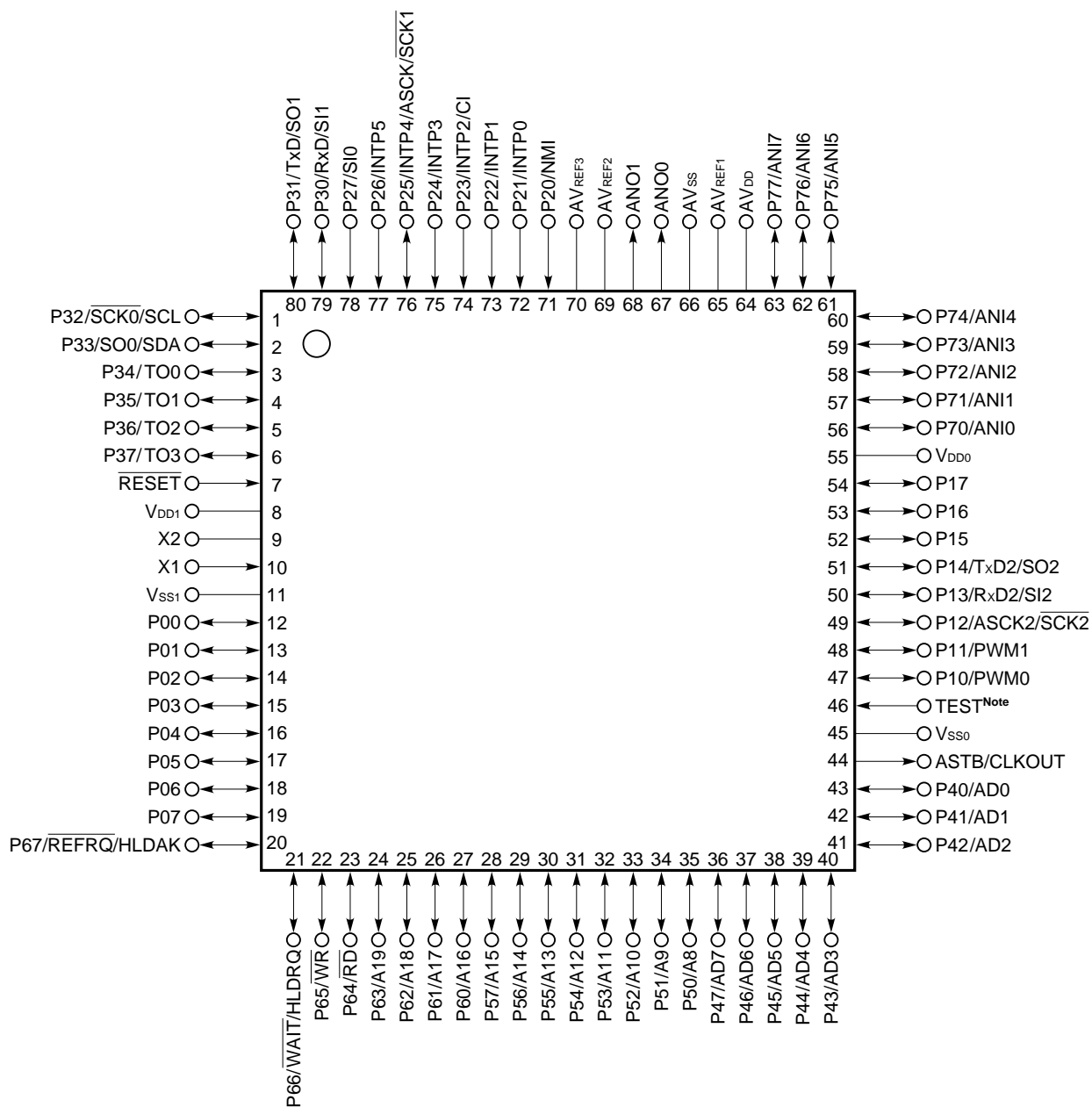
**Table 1-1. Differences between the μPD78P4038 and Masked ROM Products**

Product Name	μPD78P4038	μPD784035	μPD784036	μPD784037	μPD784038
Item					
Internal program memory	<ul style="list-style-type: none"> <li>• 128-Kbyte PROM</li> <li>• Can be changed to 48 K, 64 K, or 96 Kbytes by IMS</li> </ul>	<ul style="list-style-type: none"> <li>• 48-Kbyte masked ROM</li> </ul>	<ul style="list-style-type: none"> <li>• 64-Kbyte masked ROM</li> </ul>	<ul style="list-style-type: none"> <li>• 96-Kbyte masked ROM</li> </ul>	<ul style="list-style-type: none"> <li>• 128-Kbyte masked ROM</li> </ul>
Internal RAM	<ul style="list-style-type: none"> <li>• 4,352-byte internal RAM</li> <li>• Can be changed to 2,048 or 3,584 bytes by IMS</li> </ul>	<ul style="list-style-type: none"> <li>• 2,048-byte internal RAM</li> </ul>		<ul style="list-style-type: none"> <li>• 3,584-byte internal RAM</li> </ul>	<ul style="list-style-type: none"> <li>• 4,352-byte internal RAM</li> </ul>
Package	<ul style="list-style-type: none"> <li>• 80-pin plastic QFP (14 × 14 × 2.7 mm)</li> <li>• 80-pin plastic QFP (14 × 14 × 1.4 mm)</li> <li>• 80-pin plastic TQFP (fine pitch) (12 × 12 mm)</li> </ul>				
	<ul style="list-style-type: none"> <li>• 80-pin ceramic WQFN (14 × 14 mm)</li> </ul>				

## 2. PIN CONFIGURATION (TOP VIEW)

### (1) Normal operating mode

- 80-pin plastic QFP (14 × 14 × 2.7 mm)
- ★ μPD78P4038GC-3B9, μPD78P4038GC-xxx-3B9
- 80-pin plastic QFP (14 × 14 × 1.4 mm)
- μPD78P4038GC-8BT
- 80-pin plastic TQFP (fine pitch) (12 × 12 mm)
- ★ μPD78P4038GK-BE9, μPD78P4038GK-xxx-BE9
- 80-pin ceramic WQFN (14 × 14 mm)
- μPD78P4038KK-T



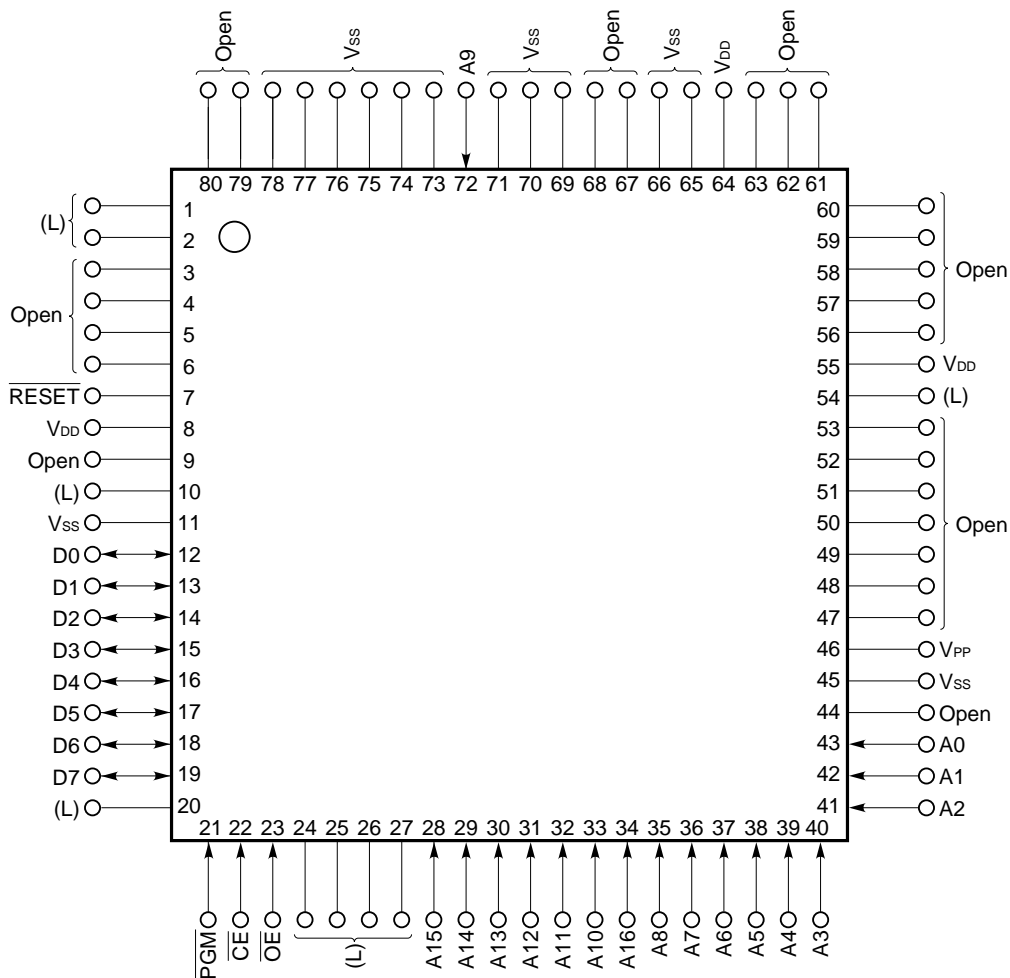
**Note** Connect the TEST pin to V<sub>SS0</sub> directly.



A8-A19	: Address bus	P60-P67	: Port 6
AD0-AD7	: Address/data bus	P70-P77	: Port 7
ANI0-ANI7	: Analog input	PWM0, PWM1	: Pulse width modulation output
ANO0, ANO1	: Analog output	$\overline{RD}$	: Read strobe
ASCK, ASCK2	: Asynchronous serial clock	$\overline{REFRQ}$	: Refresh request
ASTB	: Address strobe	$\overline{RESET}$	: Reset
AV <sub>DD</sub>	: Analog power supply	RxD, RxD2	: Receive data
AV <sub>REF1</sub> -AV <sub>REF3</sub>	: Reference voltage	$\overline{SCK0}$ - $\overline{SCK2}$	: Serial clock
AV <sub>SS</sub>	: Analog ground	SCL	: Serial clock
CI	: Clock input	SDA	: Serial data
CLKOUT	: Clock output	SI0-SI2	: Serial input
HLD <sub>AK</sub>	: Hold acknowledge	SO0-SO2	: Serial output
HLD <sub>RQ</sub>	: Hold request	TEST	: Test
INTP0-INTP5	: Interrupt from peripherals	TO0-TO3	: Timer output
NMI	: Non-maskable interrupt	TxD, TxD2	: Transmit data
P00-P07	: Port 0	V <sub>DD0</sub> , V <sub>DD1</sub>	: Power supply
P10-P17	: Port 1	V <sub>SS0</sub> , V <sub>SS1</sub>	: Ground
P20-P27	: Port 2	$\overline{WAIT}$	: Wait
P30-P37	: Port 3	$\overline{WR}$	: Write strobe
P40-P47	: Port 4	X1, X2	: Crystal
P50-P57	: Port 5		

(2) PROM programming mode

- 80-pin plastic QFP (14 × 14 × 2.7 mm)
- ★ μPD78P4038GC-3B9, μPD78P4038GC-xxx-3B9
- 80-pin plastic QFP (14 × 14 × 1.4 mm)
- μPD78P4038GC-8BT
- 80-pin plastic TQFP (fine pitch) (12 × 12 mm)
- ★ μPD78P4038GK-BE9, μPD78P4038GK-xxx-BE9
- 80-pin ceramic WQFN (14 × 14 mm)
- μPD78P4038KK-T

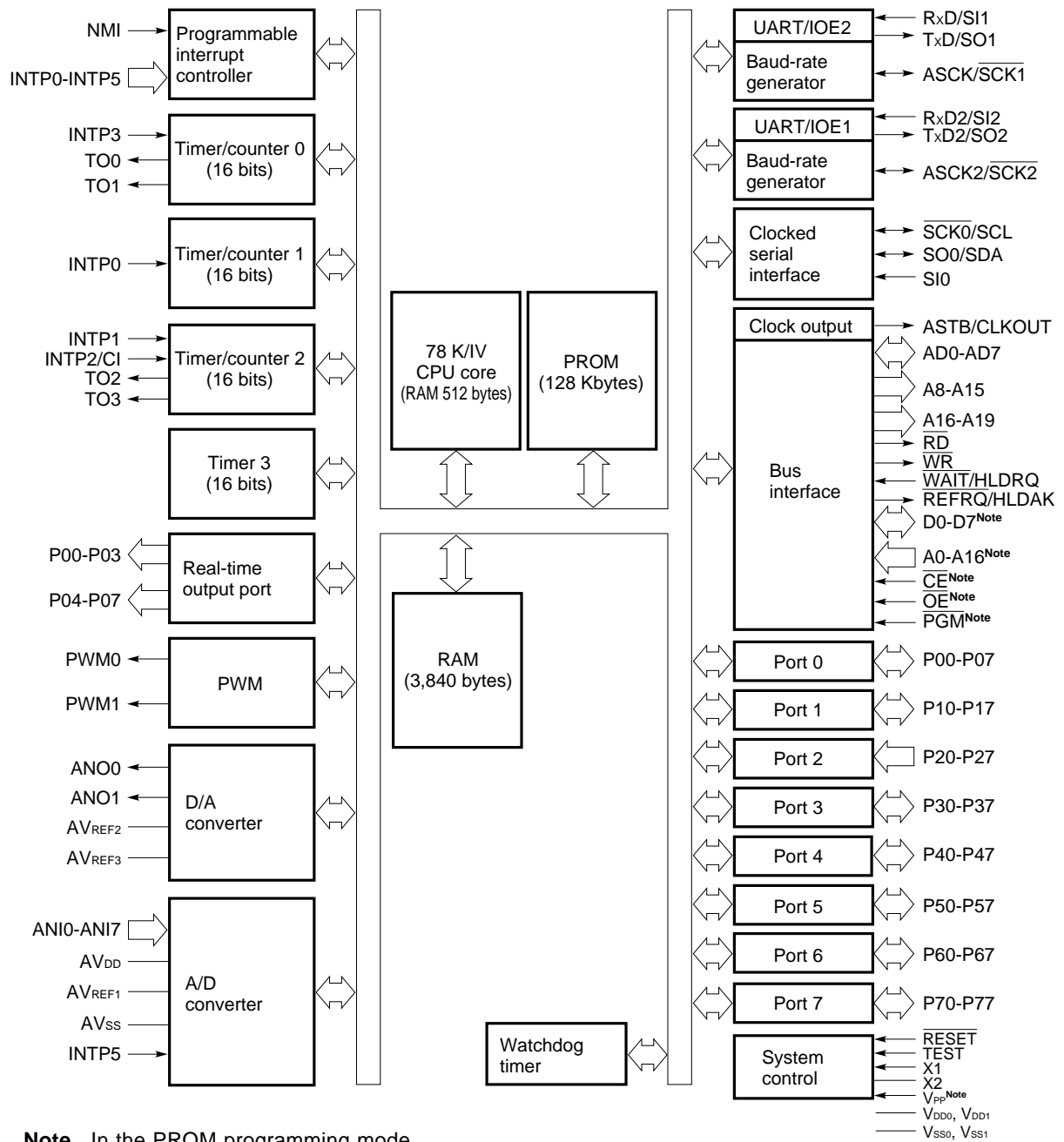


**Caution** L : Connect these pins separately to the Vss pins through 10-kΩ pull-down resistors.  
 Vss : To be connected to the ground.  
 Open : Nothing should be connected on these pins.  
 RESET: Set a low-level input.

A0-A16 : Address bus  
 CE : Chip enable  
 D0-D7 : Data bus  
 OE : Output enable  
 PGM : Program

RESET : Reset  
 VDD : Power supply  
 VPP : Programming power supply  
 Vss : Ground

3. BLOCK DIAGRAM



**Note** In the PROM programming mode.

4. LIST OF PIN FUNCTIONS

4.1 Pins for Normal Operating Mode

(1) Port pins (1/2)

Pin	I/O	Alternate-Function	Function
P00-P07	I/O	–	Port 0 (P0): <ul style="list-style-type: none"> <li>• 8-bit I/O port.</li> <li>• Functions as a real-time output port (4 bits × 2).</li> <li>• Inputs and outputs can be specified bit by bit.</li> <li>• The use of the pull-up resistors can be specified by software for the pins in the input mode together.</li> <li>• Can drive a transistor.</li> </ul>
P10	I/O	PWM0	Port 1 (P1): <ul style="list-style-type: none"> <li>• 8-bit I/O port.</li> <li>• Inputs and outputs can be specified bit by bit.</li> <li>• The use of the pull-up resistors can be specified by software for the pins in the input mode together.</li> <li>• Can drive LED.</li> </ul>
P11		PWM1	
P12		ASCK2/ $\overline{\text{SCK2}}$	
P13		RxD2/SI2	
P14		TxD2/SO2	
P15-P17		–	
P20	Input	NMI	Port 2 (P2): <ul style="list-style-type: none"> <li>• 8-bit input-only port.</li> <li>• P20 does not function as a general-purpose port (nonmaskable interrupt). However, the input level can be checked by an interrupt service routine.</li> <li>• The use of the pull-up resistors can be specified by software for pins P22 to P27 (in units of 6 bits).</li> <li>• The P25/INTP4/ASCK/<math>\overline{\text{SCK1}}</math> pin functions as the <math>\overline{\text{SCK1}}</math> output pin by CSIM1.</li> </ul>
P21		INTP0	
P22		INTP1	
P23		INTP2/CI	
P24		INTP3	
P25		INTP4/ASCK/ $\overline{\text{SCK1}}$	
P26		INTP5	
P27		SI0	
P30	I/O	RxD/SI1	Port 3 (P3): <ul style="list-style-type: none"> <li>• 8-bit I/O port.</li> <li>• Inputs and outputs can be specified bit by bit.</li> <li>• The use of the pull-up resistors can be specified by software for the pins in the input mode together.</li> </ul>
P31		TxD/SO1	
P32		$\overline{\text{SCK0/SCL}}$	
P33		SO0/SDA	
P34-P37		TO0-TO3	
P40-P47	I/O	AD0-AD7	Port 4 (P4): <ul style="list-style-type: none"> <li>• 8-bit I/O port.</li> <li>• Inputs and outputs can be specified bit by bit.</li> <li>• The use of the pull-up resistors can be specified by software for the pins in the input mode together.</li> <li>• Can drive LED.</li> </ul>

(1) Port pins (2/2)

Pin	I/O	Alternate-Function	Function
P50-P57	I/O	A8-A15	Port 5 (P5): <ul style="list-style-type: none"> <li>• 8-bit I/O port.</li> <li>• Inputs and outputs can be specified bit by bit.</li> <li>• The use of the pull-up resistors can be specified by software for the pins in the input mode together.</li> <li>• Can drive LED.</li> </ul>
P60-P63	I/O	A16-A19	Port 6 (P6): <ul style="list-style-type: none"> <li>• 8-bit I/O port.</li> <li>• Inputs and outputs can be specified bit by bit.</li> <li>• The use of the pull-up resistors can be specified by software for the pins in the input mode together.</li> </ul>
P64		$\overline{RD}$	
P65		$\overline{WR}$	
P66		$\overline{WAIT/HLDRQ}$	
P67		$\overline{REFRQ/HLDAK}$	
P70-P77	I/O	ANI0-ANI7	Port 7 (P7): <ul style="list-style-type: none"> <li>• 8-bit I/O port.</li> <li>• Inputs and outputs can be specified bit by bit.</li> </ul>

(2) Non-port pins (1/2)

Pin	I/O	Alternate-Function	Function	
TO0-TO3	Output	P34-P37	Timer output	
CI	Input	P23/INTP2	Input of a count clock for timer/counter 2	
RxD	Input	P30/SI1	Serial data input (UART0)	
RxD2		P13/SI2	Serial data input (UART2)	
TxD	Output	P31/SO1	Serial data output (UART0)	
TxD2		P14/SO2	Serial data output (UART2)	
ASCK	Input	P25/INTP4/ $\overline{\text{SCK1}}$	Baud rate clock input (UART0)	
ASCK2		P12/ $\overline{\text{SCK2}}$	Baud rate clock input (UART2)	
SDA	I/O	P33/SO0	Serial data I/O (2-wire serial I/O)	
SI0	Input	P27	Serial data input (3-wire serial I/O0)	
SI1		P30/RxD	Serial data input (3-wire serial I/O1)	
SI2		P13/RxD2	Serial data input (3-wire serial I/O2)	
SO0	Output	P33/SDA	Serial data output (3-wire serial I/O0)	
SO1		P31/TxD	Serial data output (3-wire serial I/O1)	
SO2		P14/TxD2	Serial data output (3-wire serial I/O2)	
$\overline{\text{SCK0}}$	I/O	P32/SCL	Serial clock I/O (3-wire serial I/O0)	
$\overline{\text{SCK1}}$		P25/INTP4/ASCK	Serial clock I/O (3-wire serial I/O1)	
$\overline{\text{SCK2}}$		P12/ASCK2	Serial clock I/O (3-wire serial I/O2)	
SCL		P32/ $\overline{\text{SCK0}}$	Serial clock I/O (2-wire serial I/O)	
NMI	Input	P20	External interrupt request	–
INTP0		P21		<ul style="list-style-type: none"> <li>• Input of a count clock for timer/counter 1</li> <li>• Capture/trigger signal for CR11 or CR12</li> </ul>
INTP1		P22		<ul style="list-style-type: none"> <li>• Input of a count clock for timer/counter 2</li> <li>• Capture/trigger signal for CR22</li> </ul>
INTP2		P23/CI		<ul style="list-style-type: none"> <li>• Input of a count clock for timer/counter 2</li> <li>• Capture/trigger signal for CR21</li> </ul>
INTP3		P24		<ul style="list-style-type: none"> <li>• Input of a count clock for timer/counter 0</li> <li>• Capture/trigger signal for CR02</li> </ul>
INTP4		P25/ASCK/ $\overline{\text{SCK1}}$		–
INTP5		P26		Input of a conversion start trigger for A/D converter
AD0-AD7	I/O	P40-P47		Time multiplexing address/data bus (for connecting external memory)
A8-A15	Output	P50-P57	High-order address bus (for connecting external memory)	
A16-A19	Output	P60-P63	High-order address bus during address expansion (for connecting external memory)	
$\overline{\text{RD}}$	Output	P64	Strobe signal output for reading the contents of external memory	
$\overline{\text{WR}}$	Output	P65	Strobe signal output for writing on external memory	
$\overline{\text{WAIT}}$	Input	P66/HLDRQ	Wait signal insertion	
$\overline{\text{REFRQ}}$	Output	P67/HLDAK	Refresh pulse output to external pseudo static memory	
HLDRQ	Input	P66/ $\overline{\text{WAIT}}$	Input of bus hold request	
HLDAK	Output	P67/ $\overline{\text{REFRQ}}$	Output of bus hold response	
ASTB	Output	CLKOUT	Latch timing output of time multiplexing address (A0-A7) (for connecting external memory)	
CLKOUT	Output	ASTB	Clock output	

(2) Non-port pins (2/2)

Pin	I/O	Alternate-Function	Function
RESET	Input	–	Chip reset
X1	Input	–	Crystal input for system clock oscillation (A clock pulse can also be input to the X1 pin.)
X2	–		
ANI0-ANI7	Input	P70-P77	Analog voltage inputs for the A/D converter
ANO0, ANO1	Output	–	Analog voltage inputs for the D/A converter
AVREF1	–	–	Application of A/D converter reference voltage
AVREF2, AVREF3			Application of D/A converter reference voltage
AVDD			Positive power supply for the A/D converter
AVSS			Ground for the A/D converter
VDD0 <b>Note 1</b>			Positive power supply of the port part
VDD1 <b>Note 1</b>			Positive power supply except for the port part
VSS0 <b>Note 2</b>			Ground of the port part
VSS1 <b>Note 2</b>			Ground except for the port part
TEST			Directly connect to VSS0. (The TEST pin is for the IC test.)

- Notes**
1. The potential of the VDD0 pin must be equal to that of the VDD1 pin.
  2. The potential of the VSS0 pin must be equal to that of the VSS1 pin.

4.2 Pins for PROM Programming Mode (VPP ≥ +5 V or +12.5 V, RESET = L)

4.2.1 Pin functions

Pin Name	I/O	Function
VPP	–	PROM programming mode selection High voltage input during program write or verification
RESET	Input	PROM programming mode selection
A0-A16		Address bus
D0-D7	I/O	Data bus
CE	Input	PROM enable input/program pulse input
OE		Read strobe input to PROM
PGM		Program/program inhibit input during PROM programming mode
VDD	–	Positive power supply
VSS	–	GND

#### 4.2.2 Pin functions

**(1)  $V_{PP}$  (Programming power supply): Input**

Input pin for setting the  $\mu$ PD78P4038 to the PROM programming mode. When the input voltage on this pin is +5 V or more and when  $\overline{\text{RESET}}$  input goes low, the  $\mu$ PD78P4038 enters the PROM programming mode. When  $\overline{\text{CE}}$  is made low for  $V_{PP} = +12.5$  V and  $\overline{\text{OE}} = \text{high}$ , program data on D0 to D7 can be written into the internal PROM cell selected by A0 to A16.

**(2)  $\overline{\text{RESET}}$  (Reset): Input**

Input pin for setting the  $\mu$ PD78P4038 to the PROM programming mode. When input on this pin is low, and when the input voltage on the  $V_{PP}$  pin goes +5 V or more, the  $\mu$ PD78P4038 enters the PROM programming mode.

**(3) A0 to A16 (Address bus): Input**

Address bus that selects an internal PROM address (0000H to 1FFFFH)

**(4) D0 to D7 (Data bus): I/O**

Data bus through which a program is written on or read from internal PROM

**(5)  $\overline{\text{CE}}$  (Chip enable): Input**

This pin inputs the enable signal from internal PROM. When this signal is active, a program can be written or read.

**(6)  $\overline{\text{OE}}$  (Output enable): Input**

This pin inputs the read strobe signal to internal PROM. When this signal is made active for  $\overline{\text{CE}} = \text{low}$ , a one-byte program in the internal PROM cell selected by A0 to A16 can be read onto D0 to D7.

**(7)  $\overline{\text{PGM}}$  (Program): Input**

The input pin for the operation mode control signal of the internal PROM.

Upon activation, writing to the internal PROM is enabled.

Upon inactivation, reading from the internal PROM is enabled.

**(8)  $V_{DD}$**

Positive power supply pin

**(9)  $V_{SS}$**

Ground potential pin



**4.3 I/O Circuits for Pins and Handling of Unused Pins**

Table 4-1 describes the types of I/O circuits for pins and the handling of unused pins.

Figure 4-1 shows the configuration of these various types of I/O circuits.

**Table 4-1. Types of I/O Circuits for Pins and Handling of Unused Pins (1/2)**

Pin	I/O Circuit Type	I/O	Recommended Connection Method for Unused Pins
P00-P07	5-H	I/O	Input state: To be connected to V <sub>DD0</sub> Output state: To be left open
P10/PWM0 P11/PWM1			
P12/ASCK2/ $\overline{\text{SCK2}}$			
P13/RxD2/SI2			
P14/TxD2/SO2			
P15-P17			
P20/NMI	2	Input	To be connected to V <sub>DD0</sub> or V <sub>SS0</sub>
P21/INTP0			
P22/INTP1	2-C		To be connected to V <sub>DD0</sub>
P23/INTP2/CI			
P24/INTP3			
P25/INTP4/ASCK/ $\overline{\text{SCK1}}$	8-C	I/O	Input state: To be connected to V <sub>DD0</sub> Output state: To be left open
P26/INTP5	2-C	Input	To be connected to V <sub>DD0</sub>
P27/SI0			
P30/RxD/SI1	5-H	I/O	Input state: To be connected to V <sub>DD0</sub> Output state: To be left open
P31/TxD/SO1			
P32/ $\overline{\text{SCK0}}$ /SCL	10-B		
P33/SO0/SDA			
P34/TO0-P37/TO3	5-H		
P40/AD0-P47/AD7			
P50/A8-P57/A15			
P60/A16-P63/A19			
P64/ $\overline{\text{RD}}$			
P65/ $\overline{\text{WR}}$			
P66/ $\overline{\text{WAIT}}$ /HLDRQ			
P67/ $\overline{\text{REFRQ}}$ /HLDAK			
P70/ANI0-P77/ANI7	20-A	I/O	Input state: To be connected to V <sub>DD0</sub> or V <sub>SS0</sub> Output state: To be left open
ANO0, ANO1	12	Output	To be left open
ASTB/CLKOUT	4-B		

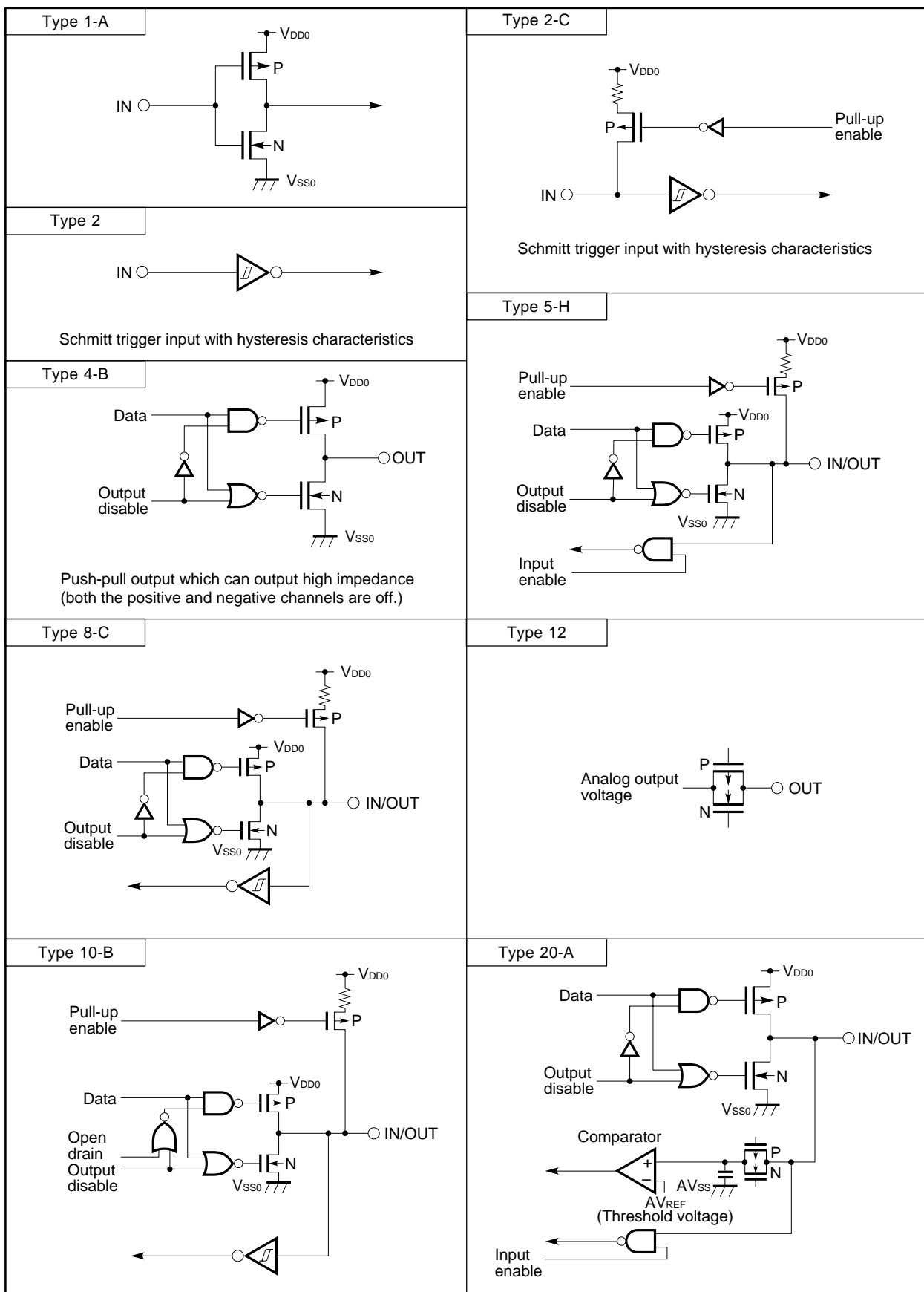
**Table 4-1. Types of I/O Circuits for Pins and Handling of Unused Pins (2/2)**

Pin	I/O Circuit Type	I/O	Recommended Connection Method for Unused Pins
$\overline{\text{RESET}}$	2	Input	–
TEST	1-A		To be connected to $V_{SS0}$ directly
$AV_{REF1}$ - $AV_{REF3}$	–		To be connected to $V_{SS0}$
$AV_{SS}$			
$AV_{DD}$		To be connected to $V_{DD0}$	

**Caution** When the I/O mode of an I/O alternate-function pin is unpredictable, connect the pin to  $V_{DD0}$  through a resistor of 10 to 100 kilohms (particularly when the voltage of the reset input pin becomes higher than that of the low level input at power-on or when I/O is switched by software).

**Remark** Since type numbers are consistent in the 78K Series, those numbers are not always serial in each product. (Some circuits are not included.)

Figure 4-1. I/O Circuits for Pins



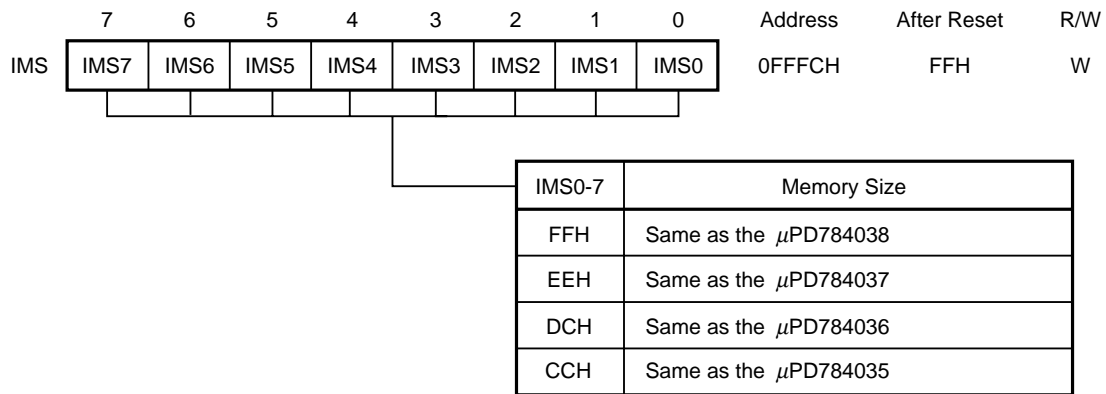
### 5. INTERNAL MEMORY SWITCHING REGISTER (IMS)

This register enables the software to avoid using part of the internal memory. IMS can be set to establish the same memory mapping as used in ROM products that have different internal memory (ROM and RAM) configurations.

IMS is set with 8-bit memory operation instructions.

RESET input sets IMS to FFH.

**Figure 5-1. Internal Memory Switching Register (IMS)**



IMS is not contained in a mask ROM product (μPD784035, μPD784036, μPD784037, or μPD784038). But the action is not affected if the write command to IMS is executed to the mask ROM product.

## 6. PROM PROGRAMMING

The μPD78P4038 has an on-chip 128-KB PROM device for use as program memory. When programming, set the V<sub>PP</sub> and  $\overline{\text{RESET}}$  pins for PROM programming mode. See (2) in Chapter 2 with regard to handling of other, unused pins.

### 6.1 Operation Mode

PROM programming mode is selected when +5 V or +12.5 V is added to the V<sub>PP</sub> pin or low-level input is added to the  $\overline{\text{RESET}}$  pin. This mode can be set to operation mode by setting the  $\overline{\text{CE}}$  pin,  $\overline{\text{OE}}$  pin, and  $\overline{\text{PGM}}$  pin as shown in Table 6-1 below.

In addition, the PROM contents can be read by setting read mode.

**Table 6-1. PROM Programming Operation Mode**

Operation Mode	Pin	$\overline{\text{RESET}}$	V <sub>PP</sub>	V <sub>DD</sub>	$\overline{\text{CE}}$	$\overline{\text{OE}}$	$\overline{\text{PGM}}$	D0-D7
Page data latch		L	+12.5 V	+6.5 V	H	L	H	Data input
Page write					H	H	L	High impedance
Byte write					L	H	L	Data input
Program verify					L	L	H	Data output
Program inhibit					×	H	H	High impedance
					×	L	L	
Read			+5 V	+5 V	L	L	H	Data output
Output disable					L	H	×	High impedance
Standby					H	×	×	High impedance

**Remark** × = L or H

**(1) Read mode**

Set  $\overline{CE}$  to L and  $\overline{OE}$  to L to set read mode.

**(2) Output disable mode**

Set  $\overline{OE}$  to H to set high impedance for data output and output disable mode.

Consequently, if several  $\mu$ PD78P4038 devices are connected to a data bus, the  $\overline{OE}$  pins can be controlled to select data output from any of the devices.

**(3) Standby mode**

Set  $\overline{CE}$  to H to set standby mode.

In this mode, data output is set to high impedance regardless of the  $\overline{OE}$  setting.

**(4) Page data latch mode**

At the beginning of page write mode, set  $\overline{CE}$  to H,  $\overline{PGM}$  to H, and  $\overline{OE}$  to L to set page data latch mode.

In this mode, 1 page (4 bytes) of data are latched to the internal address/data latch circuit.

**(5) Page write mode**

After latching the address and data for one page (4 bytes) using page data latch mode, adding a 0.1-ms program pulse (active, low) to the  $\overline{PGM}$  pin with both  $\overline{CE}$  and  $\overline{OE}$  set to H causes page write to be executed. Later, setting both  $\overline{CE}$  and  $\overline{OE}$  to L causes program verification to be executed.

If programming is not completed after one program pulse, the write and verify operations may be repeated X times (where  $X \leq 10$ ).

**(6) Byte write mode**

Adding a 0.1-ms program pulse (active, low) to the  $\overline{PGM}$  pin with both  $\overline{CE}$  and  $\overline{OE}$  set to H causes byte write to be executed. Later, setting  $\overline{OE}$  to L causes program verification to be executed.

If programming is not completed after one program pulse, the write and verify operations may be repeated X times (where  $X \leq 10$ ).

**(7) Program verify mode**

Set  $\overline{CE}$  to L,  $\overline{PGM}$  to H, and  $\overline{OE}$  to L to set program verify mode. Use verify mode for verification following each write operation.

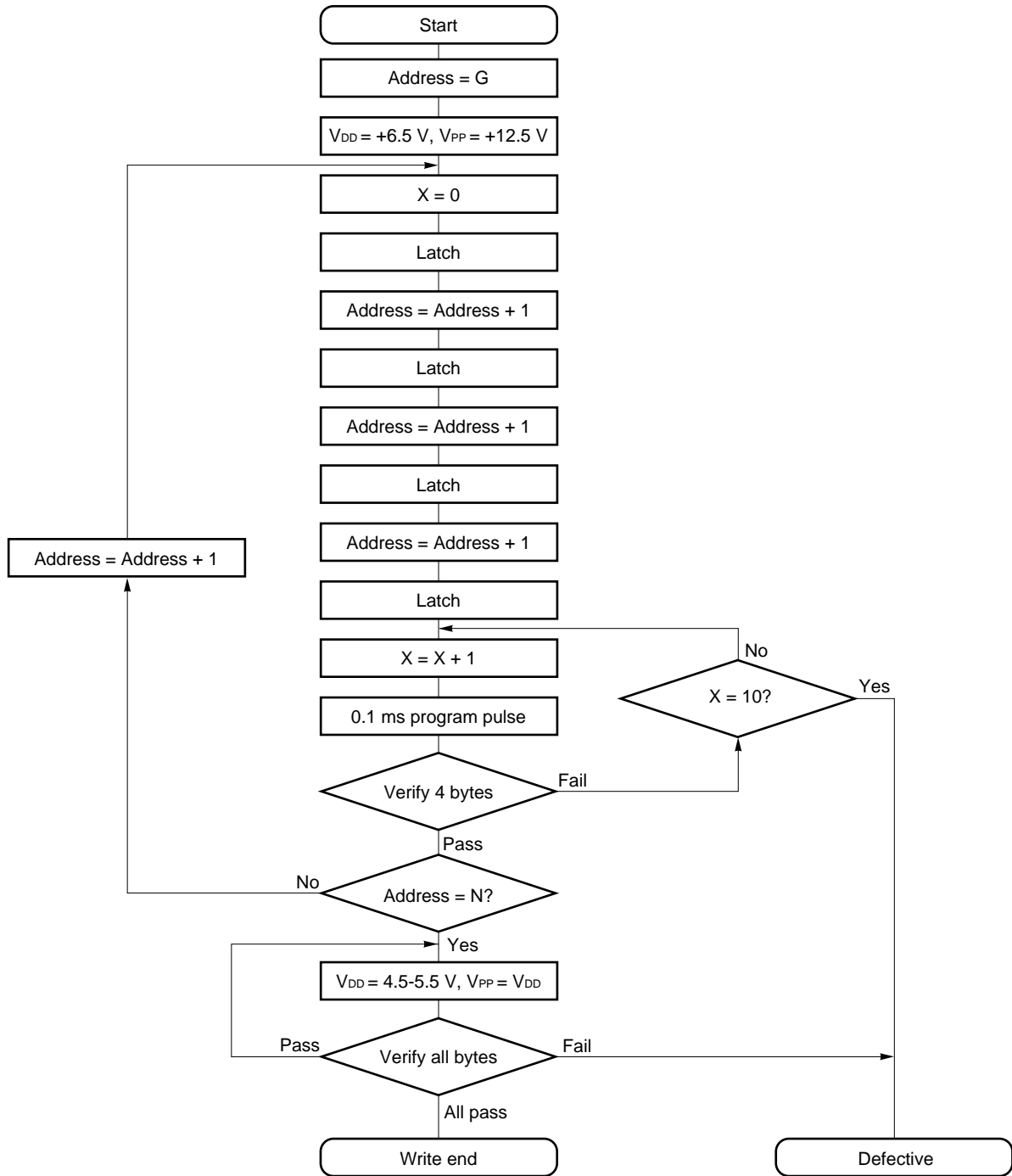
**(8) Program inhibit mode**

Program inhibit mode is used to write to a single device when several  $\mu$ PD78P4038 devices are connected in parallel to  $\overline{OE}$ ,  $V_{PP}$ , and D0 to D7 pins.

Use the page write mode or byte write mode described above for each write operation. Write operations cannot be done for devices in which the  $\overline{PGM}$  pin has been set to H.

6.2 PROM Write Sequence

Figure 6-1. Page Program Mode Flowchart



**Remark** G = Start address  
 N = Program end address

Figure 6-2. Page Program Mode Timing

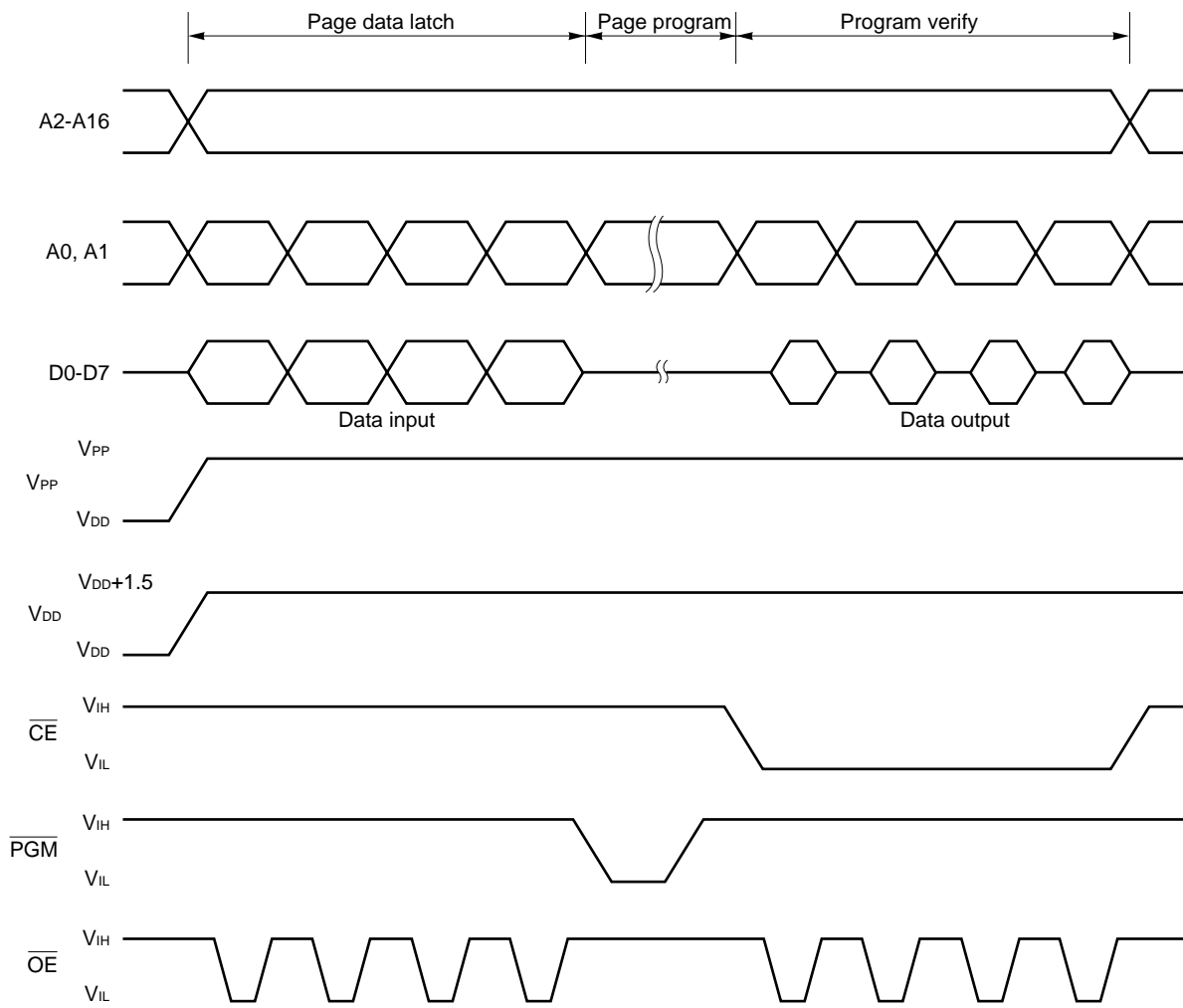
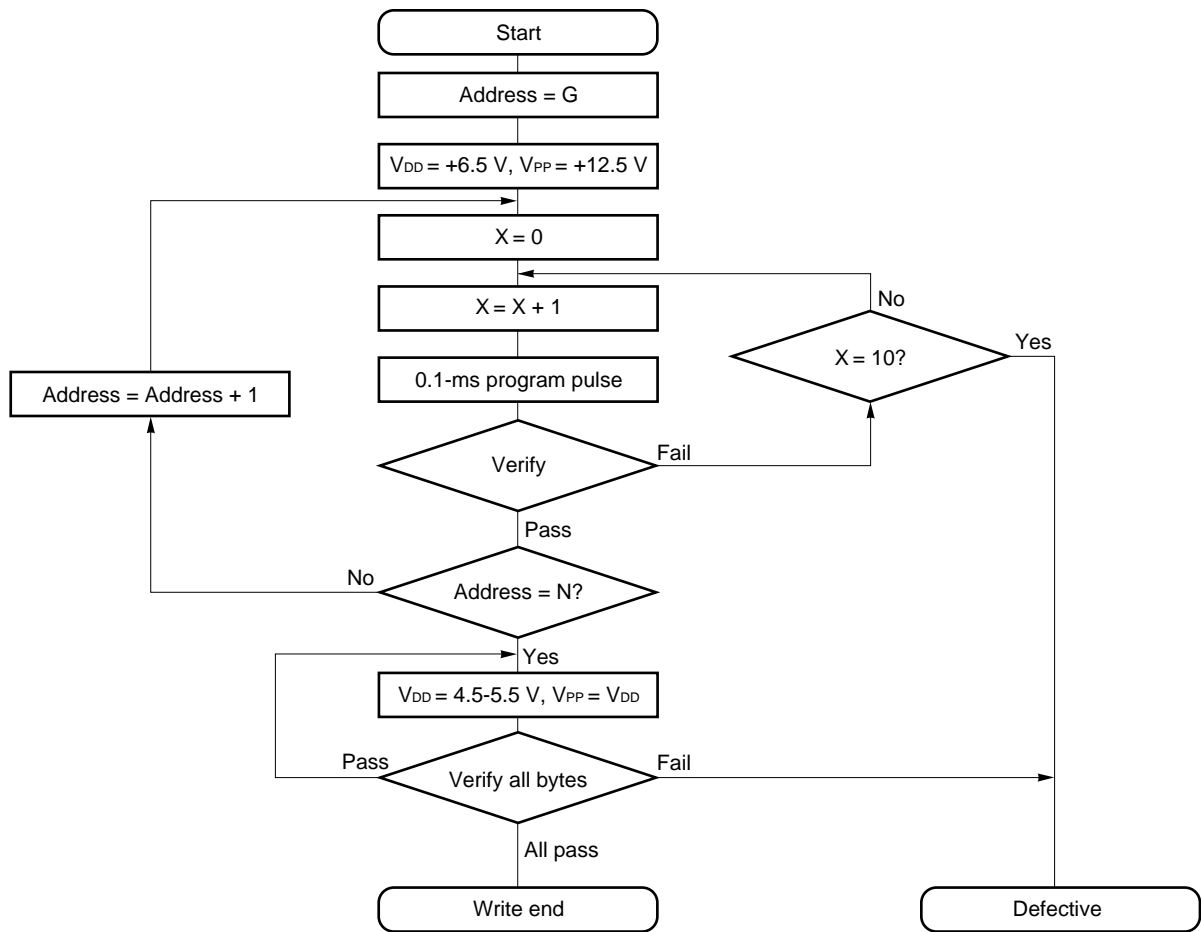


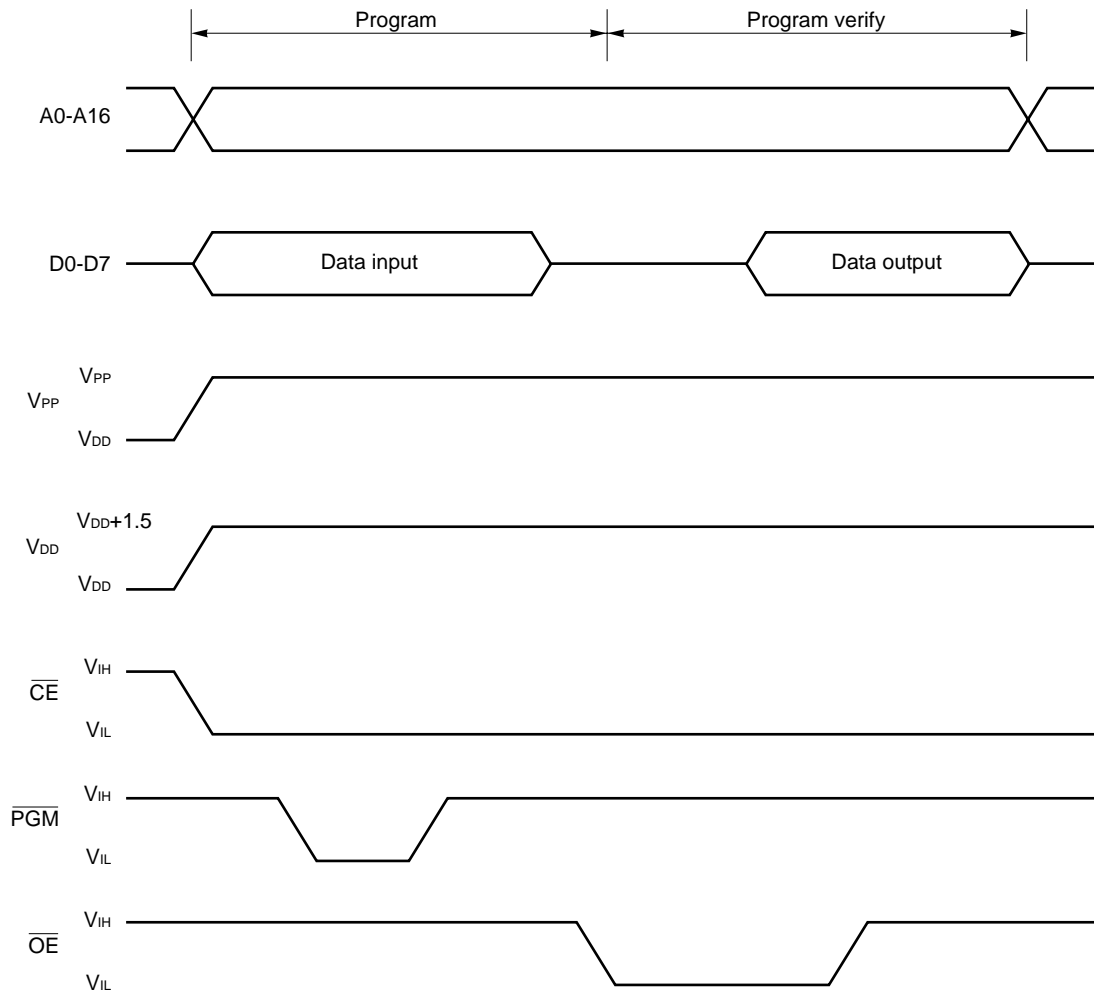


Figure 6-3. Byte Program Mode Flowchart



**Remark** G = Start address  
 N = Program end address

Figure 6-4. Byte Program Mode Timing



- Cautions**
1. Add V<sub>DD</sub> before V<sub>PP</sub>, and turn off the V<sub>DD</sub> after V<sub>PP</sub>.
  2. Do not allow V<sub>PP</sub> to exceed +13.5 V including overshoot.
  3. Reliability problems may result if the device is inserted or pulled out while +12.5 V is applied at V<sub>PP</sub>.

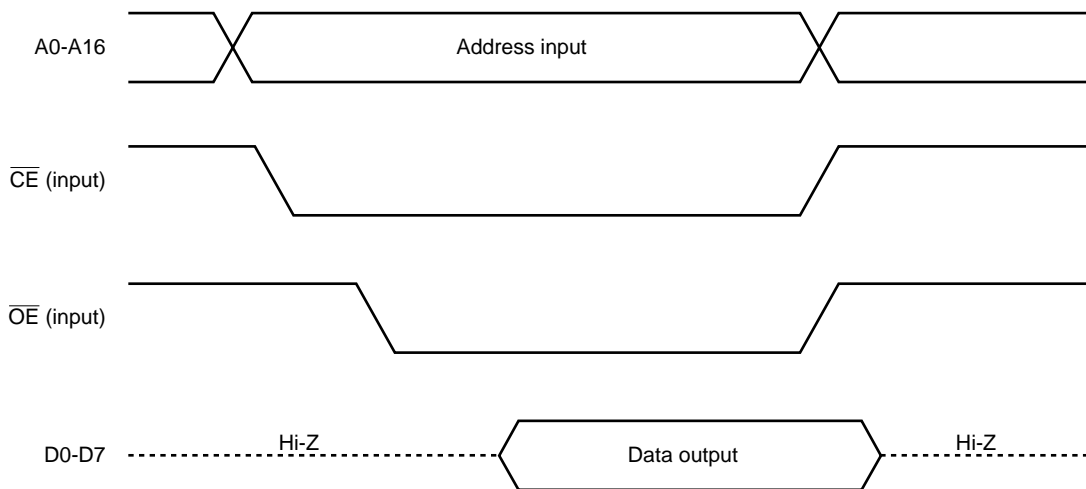
**6.3 PROM Read Sequence**

Follow this sequence to read the PROM contents to an external data bus (D0 to D7).

- (1) Set the  $\overline{\text{RESET}}$  pin to low level and add +5 V to the  $V_{PP}$  pin. See (2) in Chapter 2 with regard to handling of other, unused pins.
- (2) Add +5 V to the  $V_{DD}$  and  $V_{PP}$  pins.
- (3) Input the data address to be read to pins A0 to A16.
- (4) Set read mode.
- (5) Output the data to pins D0 to D7.

Figure 6-5 shows the timing of steps (2) to (5) above.

**Figure 6-5. PROM Read Timing**



## 7. ERASURE CHARACTERISTICS ( $\mu$ PD78P4038KK-T ONLY)

Data written in the  $\mu$ PD78P4038KK-T program memory can be erased (FFH); therefore users can write other data in the memory.

To erase the written data, expose the erasure window to light with a wavelength shorter than approx. 400 nm. Normally, ultraviolet light with a wavelength of 254 nm is employed. The amount of light required to completely erase the data is as follows:

- Intensity of ultraviolet light  $\times$  erasing time: 57.6 W $\cdot$ s/cm<sup>2</sup> min.
- Erasing time: About 80 minutes (When using a 12,000  $\mu$ W/cm<sup>2</sup> ultraviolet lamp. It may, however, take more time due to lamp deterioration, dirt on the erasure window, or the like.)

The ultraviolet lamp should be placed within 2.5 cm from the erasure window during erasure. In addition, if a filter is attached to the ultraviolet lamp, remove the filter before erasure.

## 8. PROTECTIVE FILM COVERING THE ERASURE WINDOW ( $\mu$ PD78P4038KK-T ONLY)

To prevent EPROM from being erased inadvertently by light other than that from the lamp used for erasing EPROM, or to prevent the internal circuits other than EPROM from malfunctioning by light, stick a protective film on the erasure window except when EPROM is to be erased.

## 9. QUALITY

The  $\mu$ PD78P4038KK-T is not intended for use in mass-produced products; they do not have reliability high enough for such purposes. Their use should be restricted to functional evaluation in experiment or trial manufacture.

## 10. SCREENING ONE-TIME PROM PRODUCTS

NEC cannot execute a complete test of one-time PROM products ( $\mu$ PD78P4038GC-3B9,  $\mu$ PD78P4038GC-8BT, and  $\mu$ PD78P4038GK-BE9) due to their structure before shipment. It is recommended that you screen (verify) PROM products after writing necessary data into them and storing them at 125°C for 24 hours.

## 11. ELECTRICAL CHARACTERISTICS

ABSOLUTE MAXIMUM RATINGS ( $T_A = 25^\circ\text{C}$ )

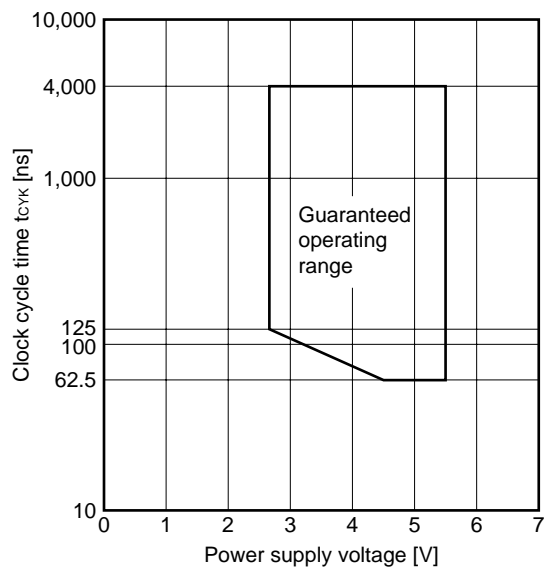
Parameter	Symbol	Conditions	Rating	Unit
Supply voltage	$V_{DD}$		-0.5 to +7.0	V
	$AV_{DD}$		$AV_{SS}$ to $V_{DD} + 0.5$	V
	$AV_{SS}$		-0.5 to +0.5	V
Input voltage	$V_{I1}$		-0.5 to $V_{DD} + 0.5$	V
	$V_{I2}$	TEST/ $V_{PP}$ pin and P21/INTP0/A9 pin in PROM programming mode	-0.5 to +13.5	V
Output voltage	$V_O$		-0.5 to $V_{DD} + 0.5$	V
Output low current	$I_{OL}$	At one pin	15	mA
		Total of all output pins	100	mA
Output high current	$I_{OH}$	At one pin	-10	mA
		Total of all output pins	-100	mA
A/D converter reference input voltage	$AV_{REF1}$		-0.5 to $V_{DD} + 0.3$	V
D/A converter reference input voltage	$AV_{REF2}$		-0.5 to $V_{DD} + 0.3$	V
	$AV_{REF3}$		-0.5 to $V_{DD} + 0.3$	V
Operating ambient temperature	$T_A$		-40 to +85	$^\circ\text{C}$
Storage temperature	$T_{stg}$		-65 to +150	$^\circ\text{C}$

**Caution** Absolute maximum ratings are rated values beyond which physical damage will be caused to the product; if the rated value of any of the parameters in the above table is exceeded, even momentarily, the quality of the product may deteriorate. Always use the product within its rated values.

**OPERATING CONDITIONS**

- Operating ambient temperature (T<sub>A</sub>) : -40 to +85°C
- Rise time and fall time (t<sub>r</sub>, t<sub>f</sub>) (at pins which are not specified) : 0 to 200 μs
- Power supply voltage and clock cycle time : See **Figure 11-1**.

**Figure 11-1. Power Supply Voltage and Clock Cycle Time**



**CAPACITANCE** (T<sub>A</sub> = 25°C, V<sub>DD</sub> = V<sub>SS</sub> = 0 V)

Parameter	Symbol	Conditions	MIN.	TYP.	MAX.	Unit
Input capacitance	C <sub>i</sub>	f = 1 MHz 0 V on pins other than measured pins			10	pF
Output capacitance	C <sub>o</sub>				10	pF
I/O capacitance	C <sub>IO</sub>				10	pF

**OSCILLATOR CHARACTERISTICS** ( $T_A = -40$  to  $+85^\circ\text{C}$ ,  $V_{DD} = +4.5$  to  $5.5$  V,  $V_{SS} = 0$  V)

Resonator	Recommended Circuit	Parameter	MIN.	MAX.	Unit
Ceramic resonator or crystal		Oscillator frequency ( $f_{xx}$ )	4	32	MHz
External clock		X1 input frequency ( $f_x$ )	4	32	MHz
		X1 input rise and fall times ( $t_{xR}$ , $t_{xF}$ )	0	10	ns
		X1 input high-level and low-level widths ( $t_{wXH}$ , $t_{wXL}$ )	10	125	ns

**Caution** When using the system clock generator, run wires in the portion surrounded by broken lines according to the following rules to avoid effects such as stray capacitance:

- Minimize the wiring.
- Never cause the wires to cross other signal lines.
- Never cause the wires to run near a line carrying a large varying current.
- Cause the grounding point of the capacitor of the oscillator circuit to have the same potential as  $V_{SS1}$ . Never connect the capacitor to a ground pattern carrying a large current.
- Never extract a signal from the oscillator.

**OSCILLATOR CHARACTERISTICS** ( $T_A = -40$  to  $+85^\circ\text{C}$ ,  $V_{DD} = +2.7$  to  $5.5$  V,  $V_{SS} = 0$  V)

Resonator	Recommended Circuit	Parameter	MIN.	MAX.	Unit
Ceramic resonator or crystal		Oscillator frequency ( $f_{xx}$ )	4	16	MHz
External clock		X1 input frequency ( $f_x$ )	4	16	MHz
		X1 input rise and fall times ( $t_{XR}$ , $t_{XF}$ )	0	10	ns
		X1 input high-level and low-level widths ( $t_{WXH}$ , $t_{WXL}$ )	10	125	ns

**Caution** When using the system clock generator, run wires in the portion surrounded by broken lines according to the following rules to avoid effects such as stray capacitance:

- Minimize the wiring.
- Never cause the wires to cross other signal lines.
- Never cause the wires to run near a line carrying a large varying current.
- Cause the grounding point of the capacitor of the oscillator circuit to have the same potential as  $V_{SS1}$ . Never connect the capacitor to a ground pattern carrying a large current.
- Never extract a signal from the oscillator.



**DC CHARACTERISTICS** ( $T_A = -40$  to  $+85^\circ\text{C}$ ,  $V_{DD} = AV_{DD} = +2.7$  to  $5.5$  V,  $V_{SS} = AV_{SS} = 0$  V) (1/2)

Parameter	Symbol	Conditions	MIN.	TYP.	MAX.	Unit
Input low voltage	$V_{IL1}$	For pins other than those described in Notes 1, 2, 3, and 4	-0.3		$0.3V_{DD}$	V
	$V_{IL2}$	For pins described in Notes 1, 2, 3, and 4	-0.3		$0.2V_{DD}$	V
	$V_{IL3}$	$V_{DD} = +5.0$ V $\pm$ 10% For pins described in Notes 2, 3, and 4	-0.3		+0.8	V
Input high voltage	$V_{IH1}$	For pins other than those described in Note 1	$0.7V_{DD}$		$V_{DD} + 0.3$	V
	$V_{IH2}$	For pins described in Note 1	$0.8V_{DD}$		$V_{DD} + 0.3$	V
	$V_{IH3}$	$V_{DD} = +5.0$ V $\pm$ 10% For pins described in Notes 2, 3, and 4	2.2		$V_{DD} + 0.3$	V
Output low voltage	$V_{OL1}$	$I_{OL} = 2$ mA			0.4	V
	$V_{OL2}$	$V_{DD} = +5.0$ V $\pm$ 10% $I_{OL} = 8$ mA For pins described in Notes 2 and 5			1.0	V
Output high voltage	$V_{OH1}$	$I_{OH} = -2$ mA	$V_{DD} - 1.0$			V
	$V_{OH2}$	$V_{DD} = +5.0$ V $\pm$ 10% $I_{OH} = -5$ mA For pins described in Note 4	$V_{DD} - 1.4$			V
X1 input low current	$I_{IL}$	EXTC = 0 $0$ V $\leq V_1 \leq V_{IL2}$			-30	$\mu$ A
X1 input high current	$I_{IH}$	EXTC = 0 $V_{IH2} \leq V_1 \leq V_{DD}$			+30	$\mu$ A

- Notes**
1. X1, X2,  $\overline{\text{RESET}}$ , P12/ $\overline{\text{ASCK2/SCK2}}$ , P20/ $\overline{\text{NMI}}$ , P21/ $\overline{\text{INTP0}}$ , P22/ $\overline{\text{INTP1}}$ , P23/ $\overline{\text{INTP2/CI}}$ , P24/ $\overline{\text{INTP3}}$ , P25/ $\overline{\text{INTP4/ASCK/SCK1}}$ , P26/ $\overline{\text{INTP5}}$ , P27/ $\overline{\text{SI0}}$ , P32/ $\overline{\text{SCK0/SCL}}$ , P33/ $\overline{\text{SO0/SDA}}$ , TEST
  2. P40/ $\overline{\text{AD0}}$  to P47/ $\overline{\text{AD7}}$ , P50/ $\overline{\text{A8}}$  to P57/ $\overline{\text{A15}}$
  3. P60/ $\overline{\text{A16}}$  to P63/ $\overline{\text{A19}}$ , P64/ $\overline{\text{RD}}$ , P65/ $\overline{\text{WR}}$ , P66/ $\overline{\text{WAIT/HLDRQ}}$ , P67/ $\overline{\text{REFRQ/HLDAK}}$
  4. P00 to P07
  5. P10 to P17

**DC CHARACTERISTICS** ( $T_A = -40$  to  $+85^\circ\text{C}$ ,  $V_{DD} = AV_{DD} = +2.7$  to  $5.5$  V,  $V_{SS} = AV_{SS} = 0$  V) (2/2)

Parameter	Symbol	Conditions	MIN.	TYP.	MAX.	Unit	
Input leakage current	$I_{Lj}$	$0\text{ V} \leq V_i \leq V_{DD}$ For pins other than X1 when EXTC = 0			$\pm 10$	$\mu\text{A}$	
Output leakage current	$I_{LO}$	$0\text{ V} \leq V_o \leq V_{DD}$			$\pm 10$	$\mu\text{A}$	
$V_{DD}$ supply current	$I_{DD1}$	Operation mode	$f_{XX} = 32\text{ MHz}$ $V_{DD} = +5.0\text{ V} \pm 10\%$		25	45	mA
			$f_{XX} = 16\text{ MHz}$ $V_{DD} = +2.7$ to $3.3\text{ V}$		12	25	mA
	$I_{DD2}$	HALT mode	$f_{XX} = 32\text{ MHz}$ $V_{DD} = +5.0\text{ V} \pm 10\%$		13	26	mA
			$f_{XX} = 16\text{ MHz}$ $V_{DD} = +2.7$ to $3.3\text{ V}$		8	12	mA
	$I_{DD3}$	IDLE mode (EXTC = 0)	$f_{XX} = 32\text{ MHz}$ $V_{DD} = +5.0\text{ V} \pm 10\%$			12	mA
			$f_{XX} = 16\text{ MHz}$ $V_{DD} = +2.7$ to $3.3\text{ V}$			8	mA
Pull-up resistor	$R_L$	$V_i = 0\text{ V}$	15		80	$\text{k}\Omega$	

**AC CHARACTERISTICS** ( $T_A = -40$  to  $+85^\circ\text{C}$ ,  $V_{DD} = AV_{DD} = +2.7$  to  $5.5$  V,  $V_{SS} = AV_{SS} = 0$  V)

(1) Read/write operation (1/2)

Parameter	Symbol	Conditions	MIN.	MAX.	Unit
Address setup time	$t_{SAST}$	$V_{DD} = +5.0\text{ V} \pm 10\%$	$(0.5 + a) T - 15$		ns
			$(0.5 + a) T - 31$		ns
ASTB high-level width	$t_{WSTH}$	$V_{DD} = +5.0\text{ V} \pm 10\%$	$(0.5 + a) T - 17$		ns
			$(0.5 + a) T - 40$		ns
Address hold time (to $ASTB\downarrow$ )	$t_{HSTLA}$	$V_{DD} = +5.0\text{ V} \pm 10\%$	$0.5T - 24$		ns
			$0.5T - 34$		ns
Address hold time (to $\overline{RD}\uparrow$ )	$t_{HRA}$		$0.5T - 14$		ns
Delay from address to $\overline{RD}\downarrow$	$t_{DAR}$	$V_{DD} = +5.0\text{ V} \pm 10\%$	$(1 + a) T - 9$		ns
			$(1 + a) T - 15$		ns
Address float time (to $\overline{RD}\downarrow$ )	$t_{FRA}$			0	ns
Delay from address to data input	$t_{DAID}$	$V_{DD} = +5.0\text{ V} \pm 10\%$		$(2.5 + a + n) T - 37$	ns
				$(2.5 + a + n) T - 52$	ns
Delay from $ASTB\downarrow$ to data input	$t_{DSTID}$	$V_{DD} = +5.0\text{ V} \pm 10\%$		$(2 + n) T - 40$	ns
				$(2 + n) T - 60$	ns
Delay from $\overline{RD}\downarrow$ to data input	$t_{DRID}$	$V_{DD} = +5.0\text{ V} \pm 10\%$		$(1.5 + n) T - 50$	ns
				$(1.5 + n) T - 70$	ns
Delay from $ASTB\downarrow$ to $\overline{RD}\downarrow$	$t_{DSTR}$		$0.5T - 9$		ns
Data hold time (to $\overline{RD}\uparrow$ )	$t_{HRID}$		0		ns
Delay from $\overline{RD}\uparrow$ to address active	$t_{DRA}$	After program is read	$V_{DD} = +5.0\text{ V} \pm 10\%$	$0.5T - 8$	ns
				$0.5T - 12$	ns
		After data is read	$V_{DD} = +5.0\text{ V} \pm 10\%$	$1.5T - 8$	ns
				$1.5T - 12$	ns
Delay from $\overline{RD}\uparrow$ to $ASTB\uparrow$	$t_{DRST}$		$0.5T - 17$		ns
$\overline{RD}$ low-level width	$t_{WRL}$	$V_{DD} = +5.0\text{ V} \pm 10\%$	$(1.5 + n) T - 30$		ns
			$(1.5 + n) T - 40$		ns
Address hold time (to $\overline{WR}\uparrow$ )	$t_{HWA}$		$0.5T - 14$		ns
Delay from address to $\overline{WR}\downarrow$	$t_{DAW}$	$V_{DD} = +5.0\text{ V} \pm 10\%$	$(1 + a) T - 5$		ns
			$(1 + a) T - 15$		ns
Delay from $ASTB\downarrow$ to data output	$t_{DSTOD}$	$V_{DD} = +5.0\text{ V} \pm 10\%$		$0.5T + 19$	ns
				$0.5T + 35$	ns
Delay from $\overline{WR}\downarrow$ to data output	$t_{DWOD}$			$0.5T - 11$	ns
Delay from $ASTB\downarrow$ to $\overline{WR}\downarrow$	$t_{DSTW}$		$0.5T - 9$		ns

**Remarks** T:  $T_{CYK}$  (system clock cycle time)

a: 1 (during address wait), otherwise, 0

n: Number of wait states ( $n \geq 0$ )

(1) Read/write operation (2/2)

Parameter	Symbol	Conditions	MIN.	MAX.	Unit
Data setup time (to $\overline{WR}\uparrow$ )	tsODW	V <sub>DD</sub> = +5.0 V ± 10%	(1.5 + n) T - 30		ns
			(1.5 + n) T - 40		ns
Data hold time (to $\overline{WR}\uparrow$ ) <b>Note</b>	t <sub>HWOD</sub>	V <sub>DD</sub> = +5.0 V ± 10%	0.5T - 5		ns
			0.5T - 25		ns
Delay from $\overline{WR}\uparrow$ to $\overline{ASTB}\uparrow$	t <sub>DWST</sub>		0.5T - 12		ns
$\overline{WR}$ low-level width	t <sub>WWL</sub>	V <sub>DD</sub> = +5.0 V ± 10%	(1.5 + n) T - 30		ns
			(1.5 + n) T - 40		ns

**Note** The hold time includes the time during which V<sub>OH1</sub> and V<sub>OL1</sub> are held under the load conditions of C<sub>L</sub> = 50 pF and R<sub>L</sub> = 4.7 kΩ.

**Remarks** T: T<sub>CYK</sub> (system clock cycle time)  
 n: Number of wait states (n ≥ 0)

(2) Bus hold timing

Parameter	Symbol	Conditions	MIN.	MAX.	Unit
Delay from HLDRQ $\uparrow$ to float	t <sub>FHQC</sub>			(6 + a + n) T + 50	ns
Delay from HLDRQ $\uparrow$ to HLDAK $\uparrow$	t <sub>DHQHHAH</sub>	V <sub>DD</sub> = +5.0 V ± 10%		(7 + a + n) T + 30	ns
				(7 + a + n) T + 40	ns
Delay from float to HLDAK $\uparrow$	t <sub>DCFHA</sub>			1T + 30	ns
Delay from HLDRQ $\downarrow$ to HLDAK $\downarrow$	t <sub>DHQLHAL</sub>	V <sub>DD</sub> = +5.0 V ± 10%		2T + 40	ns
				2T + 60	ns
Delay from HLDAK $\downarrow$ to active	t <sub>DHAC</sub>	V <sub>DD</sub> = +5.0 V ± 10%	1T - 20		ns
			1T - 30		ns

**Remarks** T: T<sub>CYK</sub> (system clock cycle time)  
 a: 1 (during address wait), otherwise, 0  
 n: Number of wait states (n ≥ 0)

(3) External wait timing

Parameter	Symbol	Conditions	MIN.	MAX.	Unit
Delay from address to $\overline{\text{WAIT}}\downarrow$ input	$t_{\text{DAWT}}$	$V_{\text{DD}} = +5.0 \text{ V} \pm 10\%$		$(2 + a) T - 40$	ns
				$(2 + a) T - 60$	ns
Delay from $\text{ASTB}\downarrow$ to $\overline{\text{WAIT}}\downarrow$ input	$t_{\text{DSTWT}}$	$V_{\text{DD}} = +5.0 \text{ V} \pm 10\%$		$1.5T - 40$	ns
				$1.5T - 60$	ns
Hold time from $\text{ASTB}\downarrow$ to $\overline{\text{WAIT}}$	$t_{\text{HSTWTH}}$	$V_{\text{DD}} = +5.0 \text{ V} \pm 10\%$	$(0.5 + n) T + 5$		ns
			$(0.5 + n) T + 10$		ns
Delay from $\text{ASTB}\downarrow$ to $\overline{\text{WAIT}}\uparrow$	$t_{\text{DSTWTH}}$	$V_{\text{DD}} = +5.0 \text{ V} \pm 10\%$		$(1.5 + n) T - 40$	ns
				$(1.5 + n) T - 60$	ns
Delay from $\overline{\text{RD}}\downarrow$ to $\overline{\text{WAIT}}\downarrow$ input	$t_{\text{DRWTL}}$	$V_{\text{DD}} = +5.0 \text{ V} \pm 10\%$		$T - 50$	ns
				$T - 70$	ns
Hold time from $\overline{\text{RD}}\downarrow$ to $\overline{\text{WAIT}}\downarrow$	$t_{\text{HRWT}}$	$V_{\text{DD}} = +5.0 \text{ V} \pm 10\%$	$nT + 5$		ns
			$nT + 10$		ns
Delay from $\overline{\text{RD}}\downarrow$ to $\overline{\text{WAIT}}\uparrow$	$t_{\text{DRWTH}}$	$V_{\text{DD}} = +5.0 \text{ V} \pm 10\%$		$(1 + n) T - 40$	ns
				$(1 + n) T - 60$	ns
Delay from $\overline{\text{WAIT}}\uparrow$ to data input	$t_{\text{DWTID}}$	$V_{\text{DD}} = +5.0 \text{ V} \pm 10\%$		$0.5T - 5$	ns
				$0.5T - 10$	ns
Delay from $\overline{\text{WAIT}}\uparrow$ to $\overline{\text{WR}}\uparrow$	$t_{\text{DWTW}}$		$0.5T$		ns
Delay from $\overline{\text{WAIT}}\uparrow$ to $\overline{\text{RD}}\uparrow$	$t_{\text{DWT R}}$		$0.5T$		ns
Delay from $\overline{\text{WR}}\downarrow$ to $\overline{\text{WAIT}}\downarrow$ input	$t_{\text{DWWTL}}$	$V_{\text{DD}} = +5.0 \text{ V} \pm 10\%$		$T - 50$	ns
				$T - 75$	ns
Hold time from $\overline{\text{WR}}\downarrow$ to $\overline{\text{WAIT}}$	$t_{\text{HWWT}}$	$V_{\text{DD}} = +5.0 \text{ V} \pm 10\%$	$nT + 5$		ns
			$nT + 10$		ns
Delay from $\overline{\text{WR}}\downarrow$ to $\overline{\text{WAIT}}\uparrow$	$t_{\text{DWWTH}}$	$V_{\text{DD}} = +5.0 \text{ V} \pm 10\%$		$(1 + n) T - 40$	ns
				$(1 + n) T - 70$	ns

**Remarks** T:  $T_{\text{CYK}}$  (system clock cycle time)

a: 1 (during address wait), otherwise, 0

n: Number of wait states ( $n \geq 0$ )

(4) Refresh timing

Parameter	Symbol	Conditions	MIN.	MAX.	Unit
Random read/write cycle time	$t_{\text{RC}}$		$3T$		ns
REFRQ low-level pulse width	$t_{\text{WRFQL}}$	$V_{\text{DD}} = +5.0 \text{ V} \pm 10\%$	$1.5T - 25$		ns
			$1.5T - 30$		ns
Delay from $\text{ASTB}\downarrow$ to $\overline{\text{REFRQ}}$	$t_{\text{DSTRFQ}}$		$0.5T - 9$		ns
Delay from $\overline{\text{RD}}\uparrow$ to $\overline{\text{REFRQ}}$	$t_{\text{DRRFQ}}$		$1.5T - 9$		ns
Delay from $\overline{\text{WR}}\uparrow$ to $\overline{\text{REFRQ}}$	$t_{\text{DWRFQ}}$		$1.5T - 9$		ns
Delay from $\overline{\text{REFRQ}}\uparrow$ to $\text{ASTB}$	$t_{\text{DRFQST}}$		$0.5T - 15$		ns
REFRQ high-level pulse width	$t_{\text{WRFQH}}$	$V_{\text{DD}} = +5.0 \text{ V} \pm 10\%$	$1.5T - 25$		ns
			$1.5T - 30$		ns

**Remark** T:  $T_{\text{CYK}}$  (system clock cycle time)

**SERIAL OPERATION** ( $T_A = -40$  to  $+85^\circ\text{C}$ ,  $V_{DD} = +2.7$  to  $5.5$  V,  $A_{VSS} = V_{SS} = 0$  V)

(1) CSI

Parameter	Symbol	Conditions		MIN.	MAX.	Unit
Serial clock cycle time ( $\overline{\text{SCK0}}$ )	$t_{\text{CYSK0}}$	Input	External clock When $\overline{\text{SCK0}}$ and $\text{S00}$ are CMOS I/O	$10/f_{\text{xx}} + 380$		ns
		Output		T		μs
Serial clock low-level width ( $\overline{\text{SCK0}}$ )	$t_{\text{WSKL0}}$	Input	External clock When $\overline{\text{SCK0}}$ and $\text{S00}$ are CMOS I/O	$5/f_{\text{xx}} + 150$		ns
		Output		$0.5T - 40$		μs
Serial clock high-level width ( $\overline{\text{SCK0}}$ )	$t_{\text{WSKH0}}$	Input	External clock When $\overline{\text{SCK0}}$ and $\text{S00}$ are CMOS I/O	$5/f_{\text{xx}} + 150$		ns
		Output		$0.5T - 40$		μs
SIO setup time (to $\overline{\text{SCK0}}\uparrow$ )	$t_{\text{SSSK0}}$			40		ns
SIO hold time (to $\overline{\text{SCK0}}\uparrow$ )	$t_{\text{HSSK0}}$			$5/f_{\text{xx}} + 40$		ns
S00 output delay time (to $\overline{\text{SCK0}}\downarrow$ )	$t_{\text{DSBSK1}}$	CMOS push-pull output (3-wire serial I/O mode)		0	$5/f_{\text{xx}} + 150$	ns
	$t_{\text{DSBSK2}}$	Open-drain output (2-wire serial I/O mode), $R_L = 1$ kΩ		0	$5/f_{\text{xx}} + 400$	ns

- Remarks**
1. The values in this table are those when  $C_L$  is 100 pF.
  2. T : Serial clock cycle set by software. The minimum value is  $16/f_{\text{xx}}$ .
  3.  $f_{\text{xx}}$  : Oscillator frequency

(2) IOE1, IOE2

Parameter	Symbol	Conditions		MIN.	MAX.	Unit
Serial clock cycle time ( $\overline{SCK1}$ , $\overline{SCK2}$ )	$t_{CYSK1}$	Input	$V_{DD} = +5.0\text{ V} \pm 10\%$	250		ns
				500		ns
		Output	Internal, divided by 16	T		ns
Serial clock low-level width ( $\overline{SCK1}$ , $\overline{SCK2}$ )	$t_{WSK1}$	Input	$V_{DD} = +5.0\text{ V} \pm 10\%$	85		ns
				210		ns
		Output	Internal, divided by 16	$0.5T - 40$		ns
Serial clock high-level width ( $\overline{SCK1}$ , $\overline{SCK2}$ )	$t_{WSKH1}$	Input	$V_{DD} = +5.0\text{ V} \pm 10\%$	85		ns
				210		ns
		Output	Internal, divided by 16	$0.5T - 40$		ns
Setup time for SI1 and SI2 (to $\overline{SCK1}$ , $\overline{SCK2}\uparrow$ )	$t_{SSK1}$			40		ns
Hold time for SI1 and SI2 (to $\overline{SCK1}$ , $\overline{SCK2}\uparrow$ )	$t_{HSSK1}$			40		ns
Output delay time for SO1 and SO2 (to $\overline{SCK1}$ , $\overline{SCK2}\downarrow$ )	$t_{DSOSK}$			0	50	ns
Output hold time for SO1 and SO2 (to $\overline{SCK1}$ , $\overline{SCK2}\uparrow$ )	$t_{HSOSK}$	When data is transferred		$0.5t_{CYSK1} - 40$		ns

**Remarks 1.** The values in this table are those when  $C_L$  is 100 pF.

**2.** T: Serial clock cycle set by software. The minimum value is  $16/f_{xx}$ .

(3) UART, UART2

Parameter	Symbol	Conditions	MIN.	MAX.	Unit
ASCK clock input cycle time	$t_{CYASK}$	$V_{DD} = +5.0\text{ V} \pm 10\%$	125		ns
			250		ns
ASCK clock low-level width	$t_{WASKL}$	$V_{DD} = +5.0\text{ V} \pm 10\%$	52.5		ns
			85		ns
ASCK clock high-level width	$t_{WASKH}$	$V_{DD} = +5.0\text{ V} \pm 10\%$	52.5		ns
			85		ns

**CLOCK OUTPUT OPERATION**

Parameter	Symbol	Conditions	MIN.	MAX.	Unit
CLKOUT cycle time	t <sub>CYCL</sub>		nT		ns
CLKOUT low-level width	t <sub>CLL</sub>	V <sub>DD</sub> = +5.0 V ± 10%	0.5t <sub>CYCL</sub> – 10		ns
			0.5t <sub>CYCL</sub> – 20		ns
CLKOUT high-level width	t <sub>CLH</sub>	V <sub>DD</sub> = +5.0 V ± 10%	0.5t <sub>CYCL</sub> – 10		ns
			0.5t <sub>CYCL</sub> – 20		ns
CLKOUT rise time	t <sub>CLR</sub>	V <sub>DD</sub> = +5.0 V ± 10%		10	ns
				20	ns
CLKOUT fall time	t <sub>CLF</sub>	V <sub>DD</sub> = +5.0 V ± 10%		10	ns
				20	ns

**Remarks** n: Divided frequency ratio set by software in the CPU (n = 1, 2, 4, 8, 16)  
 T: T<sub>CYK</sub> (system clock cycle time)

**OTHER OPERATIONS**

Parameter	Symbol	Conditions	MIN.	MAX.	Unit
NMI low-level width	t <sub>WNIL</sub>		10		μs
NMI high-level width	t <sub>WNIH</sub>		10		μs
★ INTP0 low-level width	t <sub>WIT0L</sub>		4t <sub>CYSMP</sub>		ns
★ INTP0 high-level width	t <sub>WIT0H</sub>		4t <sub>CYSMP</sub>		ns
★ Low-level width for INTP1-INTP3 and CI	t <sub>WIT1L</sub>		4t <sub>CYCPU</sub>		ns
★ High-level width for INTP1-INTP3 and CI	t <sub>WIT1H</sub>		4t <sub>CYCPU</sub>		ns
Low-level width for INTP4 and INTP5	t <sub>WIT2L</sub>		10		μs
High-level width for INTP4 and INTP5	t <sub>WIT2H</sub>		10		μs
RESET low-level width	t <sub>WRSL</sub>		10		μs
RESET high-level width	t <sub>WRSH</sub>		10		μs

**Remarks** t<sub>CYSMP</sub>: Sampling clock set by software  
 t<sub>CYCPU</sub>: CPU operation clock set by software in the CPU



**A/D CONVERTER CHARACTERISTICS**

( $T_A = -40$  to  $+85^\circ\text{C}$ ,  $V_{DD} = AV_{DD} = AV_{REF1} = +2.7$  to  $5.5$  V,  $V_{SS} = AV_{SS} = 0$  V)

Parameter	Symbol	Conditions	MIN.	TYP.	MAX.	Unit
Resolution			8			bit
Total error <sup>Note</sup>		$V_{DD} = AV_{DD} = +5.0$ V $\pm$ 10%			1.0	%
		$V_{DD} = AV_{DD} = +2.7$ to $4.5$ V $T_A = -10$ to $+85^\circ\text{C}$			1.0	%
Linearity calibration <sup>Note</sup>					0.8	%
Quantization error					$\pm 1/2$	LSB
Conversion time	$t_{CONV}$	FR = 1	120			$t_{CYK}$
		FR = 0	180			$t_{CYK}$
Sampling time	$t_{SAMP}$	FR = 1	24			$t_{CYK}$
		FR = 0	36			$t_{CYK}$
Analog input voltage	$V_{IAN}$		-0.3		$AV_{REF1} + 0.3$	V
Analog input impedance	$R_{AN}$			1,000		$M\Omega$
$AV_{REF1}$ current	$AI_{REF1}$			0.5	1.5	mA
$AV_{DD}$ supply current	$AI_{DD1}$	$f_{XX} = 32$ MHz, CS = 1		2.0	5.0	mA
	$AI_{DD2}$	STOP mode, CS = 0		1.0	20	$\mu\text{A}$

**Note** Quantization error is not included. This parameter is indicated as the ratio to the full-scale value.

**Remark**  $t_{CYK}$ : System clock cycle time

**D/A CONVERTER CHARACTERISTICS** ( $T_A = -40$  to  $+85^\circ\text{C}$ ,  $V_{DD} = AV_{DD} = +2.7$  to  $5.5$  V,  $V_{SS} = AV_{SS} = 0$  V)

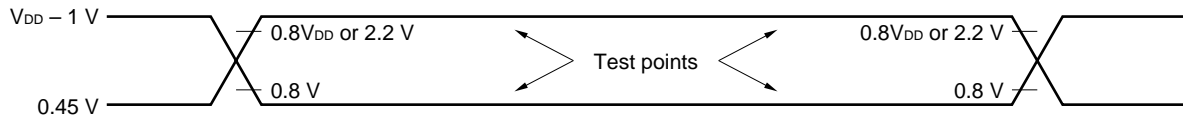
Parameter	Symbol	Conditions	MIN.	TYP.	MAX.	Unit	
Resolution			8			bit	
Total error		Load conditions: 4 MΩ, 30 pF	$V_{DD} = AV_{DD} = AV_{REF2}$ = +2.7 to 5.5 V $AV_{REF3} = 0$ V			0.6	%
			$V_{DD} = AV_{DD} = +2.7$ to 5.5 V $AV_{REF2} = 0.75V_{DD}$ $AV_{REF3} = 0.25V_{DD}$			0.8	%
		Load conditions: 2 MΩ, 30 pF	$V_{DD} = AV_{DD} = AV_{REF2}$ = +2.7 to 5.5 V $AV_{REF3} = 0$ V			0.8	%
			$V_{DD} = AV_{DD} = +2.7$ to 5.5 V $AV_{REF2} = 0.75V_{DD}$ $AV_{REF3} = 0.25V_{DD}$			1.0	%
Settling time		Load conditions: 2 MΩ, 30 pF			10	μs	
Output resistance	$R_o$	DACS0, 1 = 55 H		10		kΩ	
Analog reference voltage	$AV_{REF2}$		$0.75V_{DD}$		$V_{DD}$	V	
	$AV_{REF3}$		0		$0.25V_{DD}$	V	
Resistance of $AV_{REF2}$ and $AV_{REF3}$	$R_{AIREF}$	DACS0, 1 = 55 H	4	8		kΩ	
Reference power supply input current	$AI_{REF2}$		0		5	mA	
	$AI_{REF3}$		-5		0	mA	

**DATA RETENTION CHARACTERISTICS** ( $T_A = -40$  to  $+85^\circ\text{C}$ )

Parameter	Symbol	Conditions	MIN.	TYP.	MAX.	Unit
Data retention voltage	$V_{DDDR}$	STOP mode	2.5		5.5	V
Data retention current	$I_{DDDR}$	$V_{DDDR} = +2.7$ to $5.5$ V		30	50	$\mu\text{A}$
		$V_{DDDR} = +2.5$ V		10	40	$\mu\text{A}$
$V_{DD}$ rise time	$t_{RVD}$		200			$\mu\text{s}$
$V_{DD}$ fall time	$t_{FVD}$		200			$\mu\text{s}$
$V_{DD}$ hold time (to STOP mode setting)	$t_{HVD}$		0			ms
STOP clear signal input time	$t_{DREL}$		0			ms
Oscillation settling time	$t_{WAIT}$	Crystal	30			ms
		Ceramic resonator	5			ms
Input low voltage	$V_{IL}$	Specific pins <sup>Note</sup>	0		$0.1V_{DDDR}$	V
Input high voltage	$V_{IH}$		$0.9V_{DDDR}$		$V_{DDDR}$	V

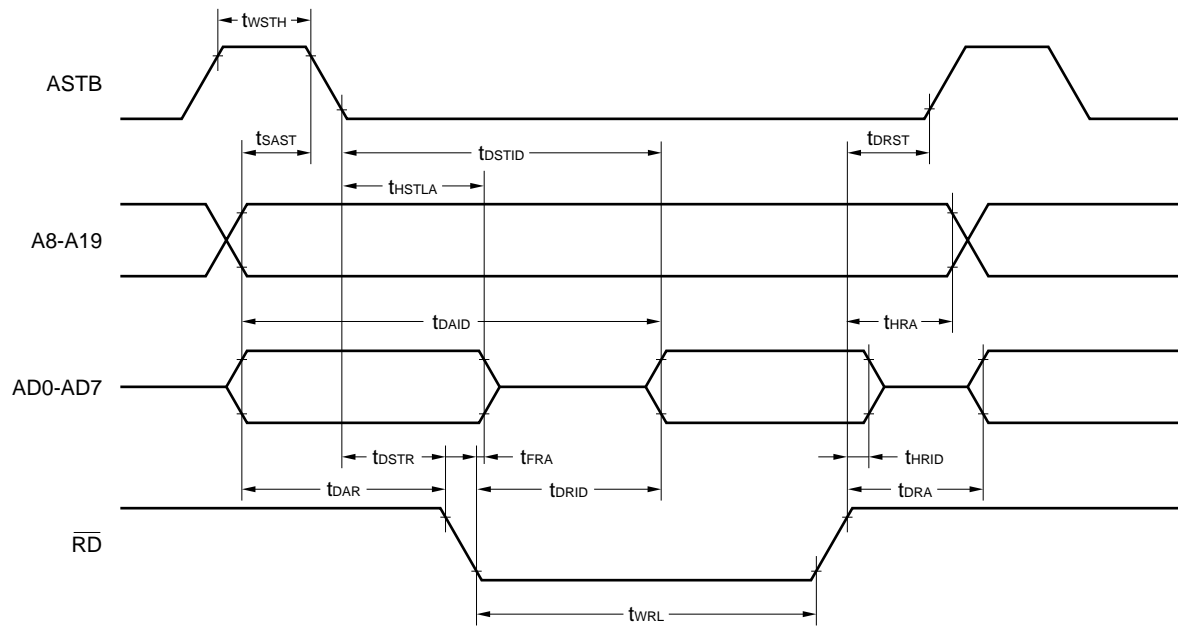
**Note**  $\overline{\text{RESET}}$ , P20/ $\overline{\text{NMI}}$ , P21/ $\overline{\text{INTP0}}$ , P22/ $\overline{\text{INTP1}}$ , P23/ $\overline{\text{INTP2/CI}}$ , P24/ $\overline{\text{INTP3}}$ , P25/ $\overline{\text{INTP4/ASCK/SCK1}}$ , P26/ $\overline{\text{INTP5}}$ , P27/ $\overline{\text{SI0}}$ , P32/ $\overline{\text{SCK0/SCL}}$ , and P33/ $\overline{\text{SO0/SDA}}$  pins

**AC TIMING TEST POINTS**

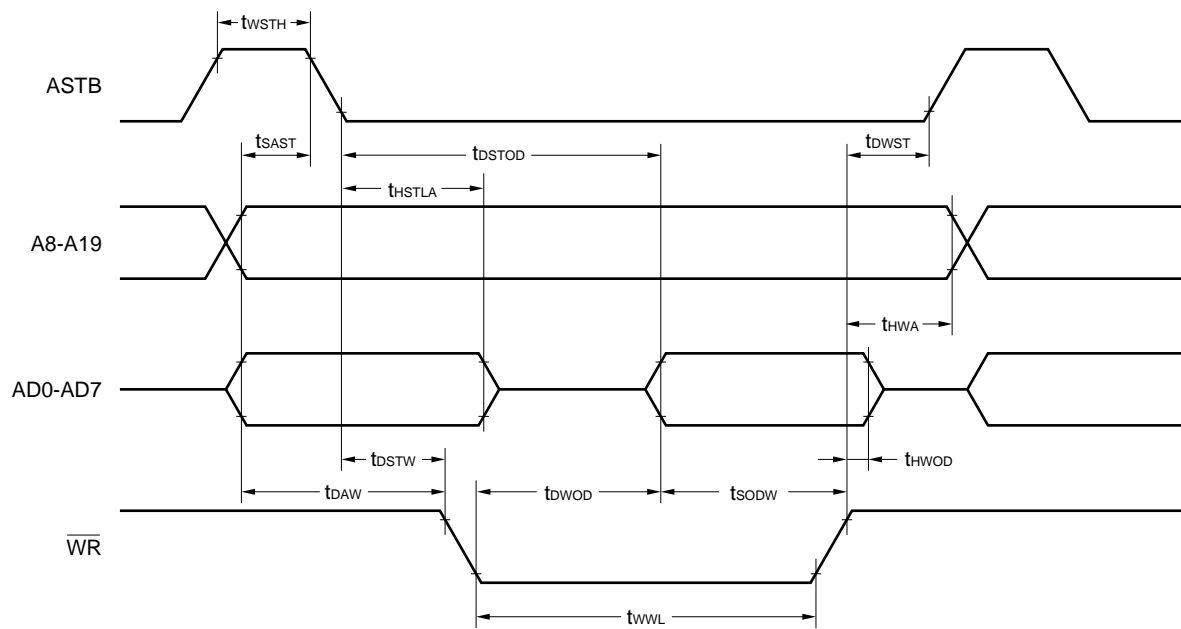


TIMING WAVEFORM

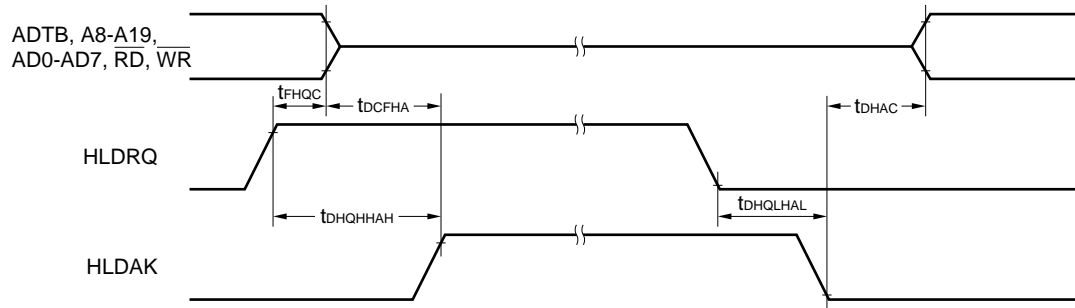
(1) Read operation



(2) Write operation

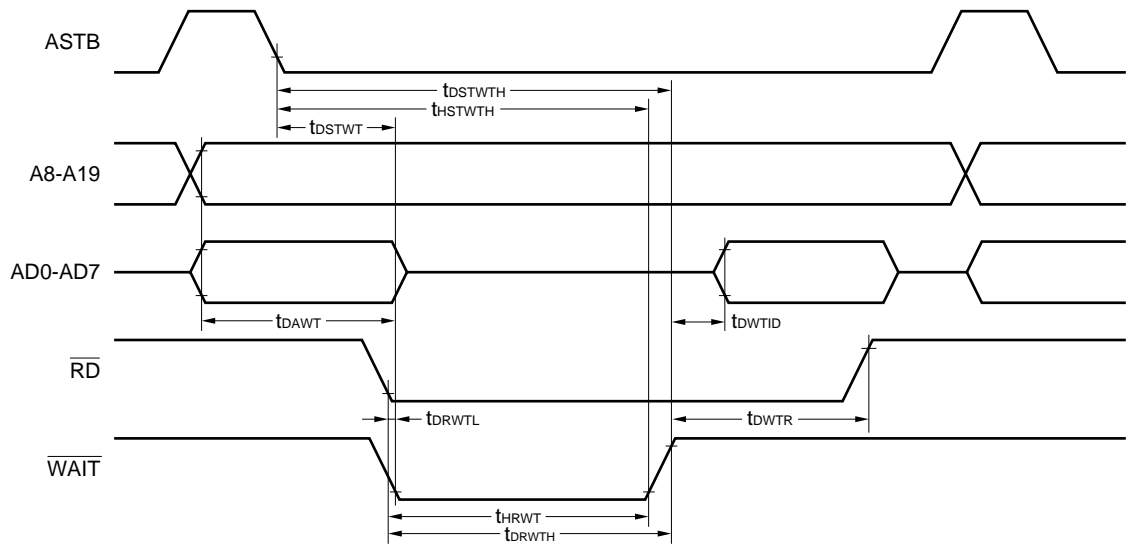


**HOLD TIMING**

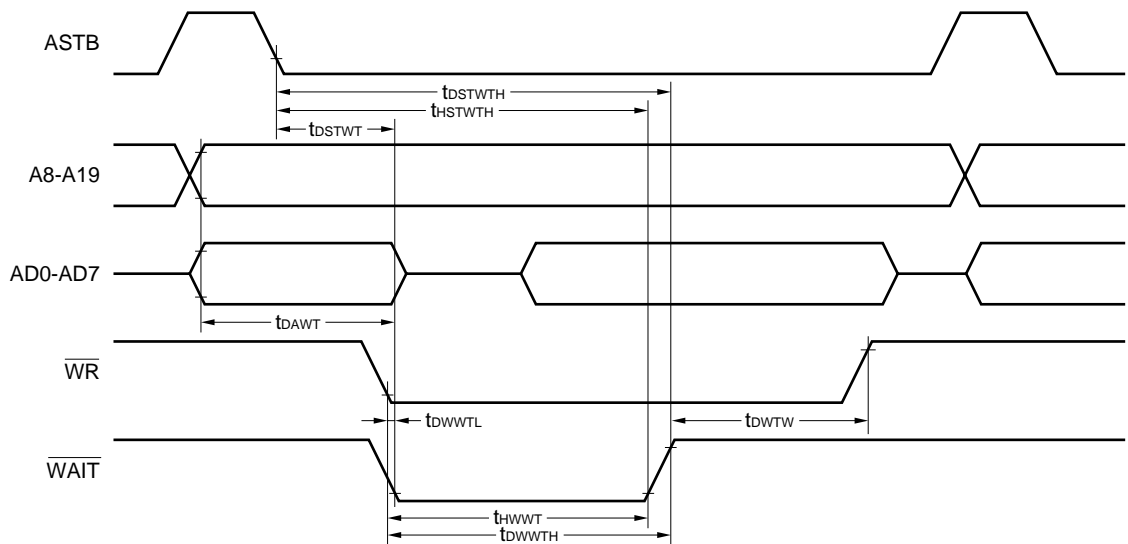


**EXTERNAL WAIT SIGNAL INPUT TIMING**

(1) Read operation

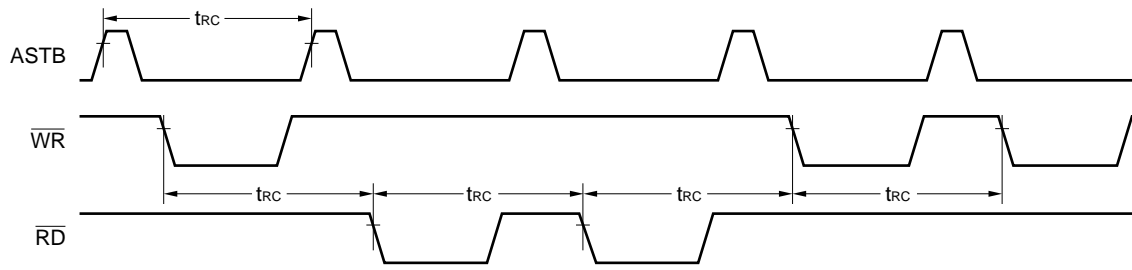


(2) Write operation

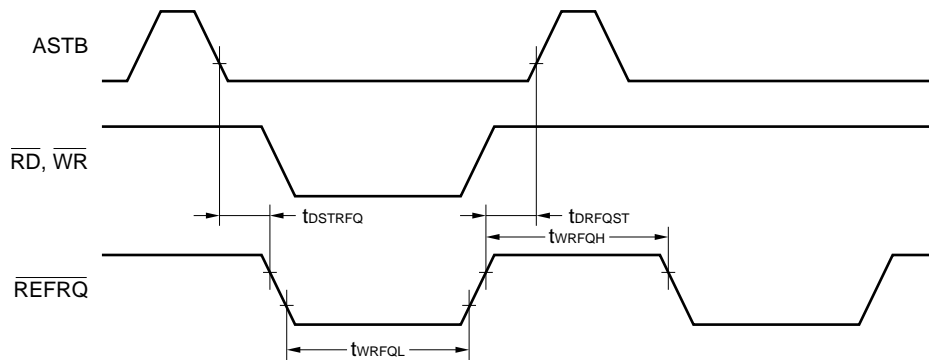


REFRESH TIMING WAVEFORM

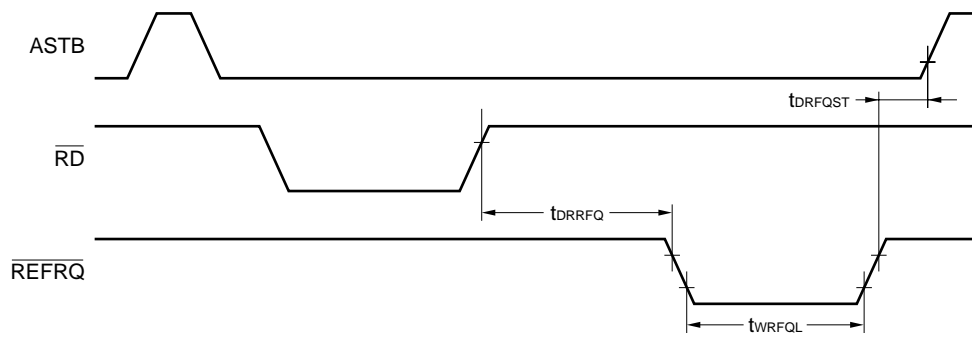
(1) Random read/write cycle



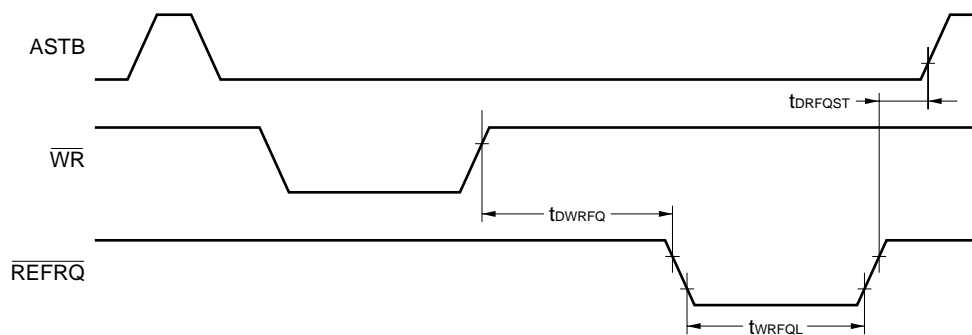
(2) When refresh memory is accessed for a read and write at the same time



(3) Refresh after a read

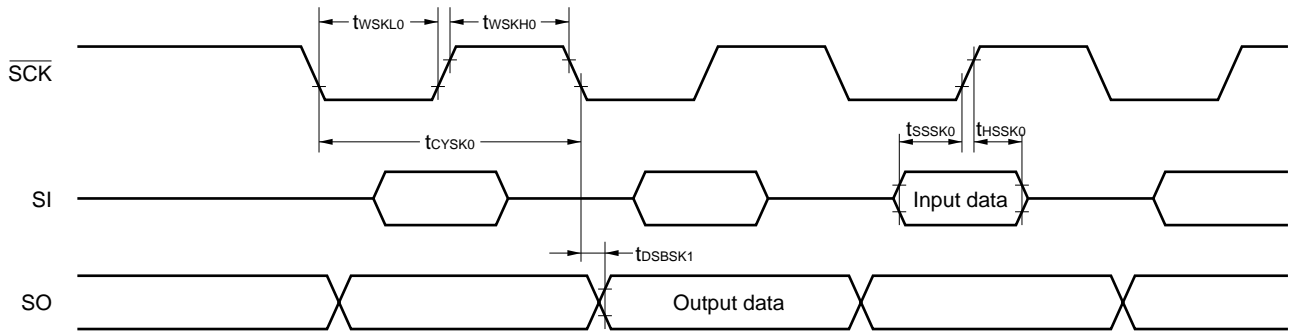


(4) Refresh after a write

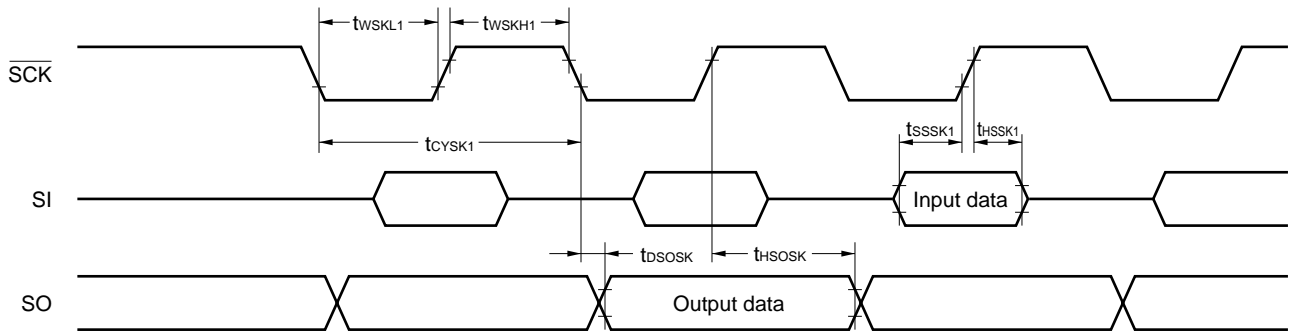


SERIAL OPERATION

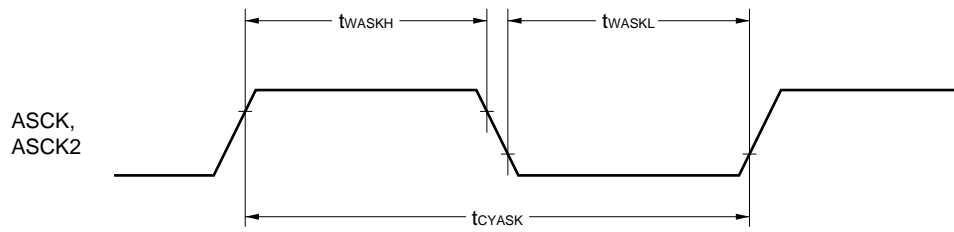
★ (1) CSI



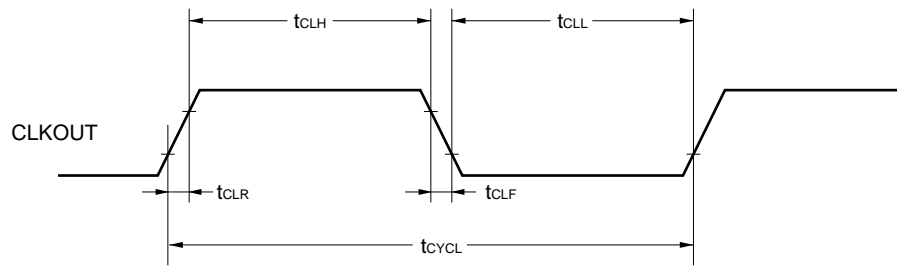
(2) IOE1, IOE2



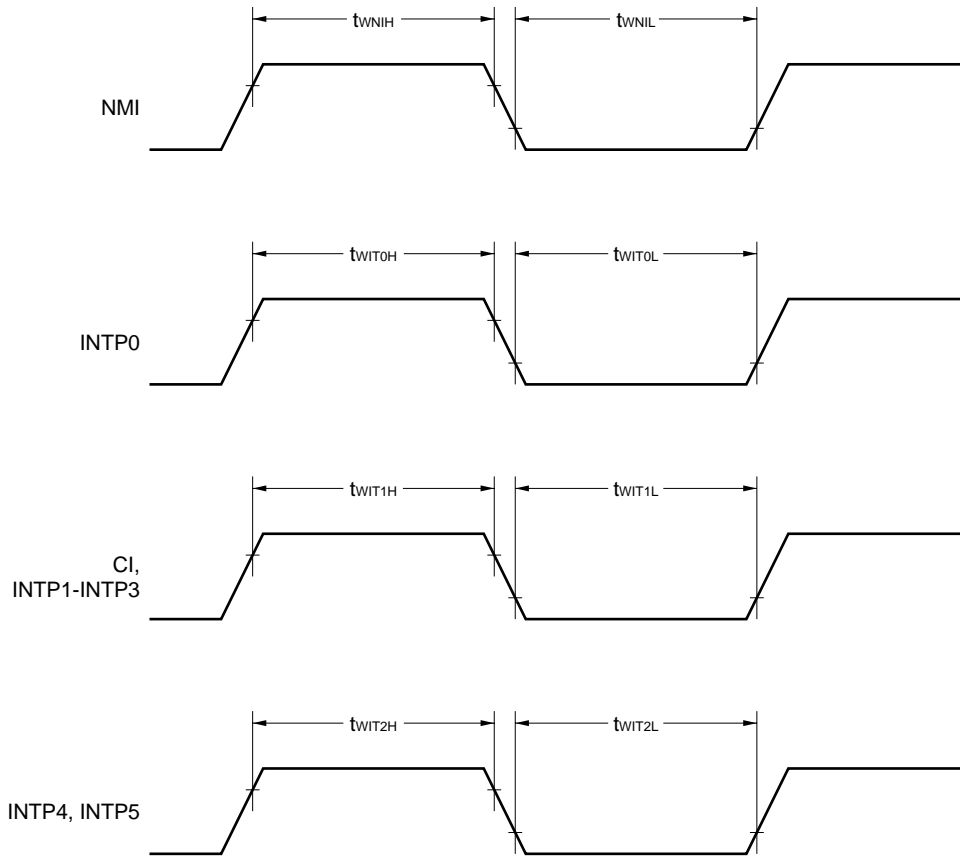
(3) UART, UART2



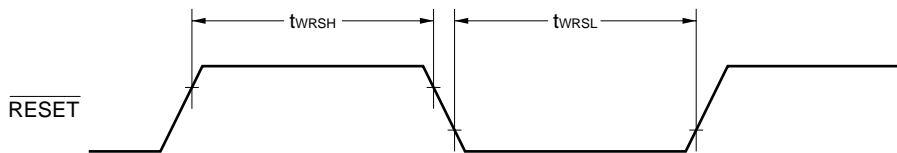
CLOCK OUTPUT TIMING



INTERRUPT INPUT TIMING

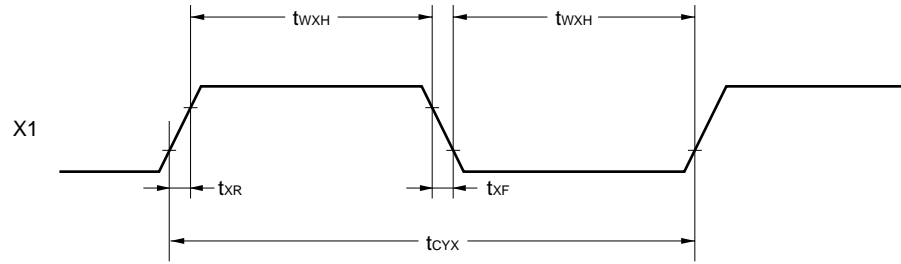


RESET INPUT TIMING

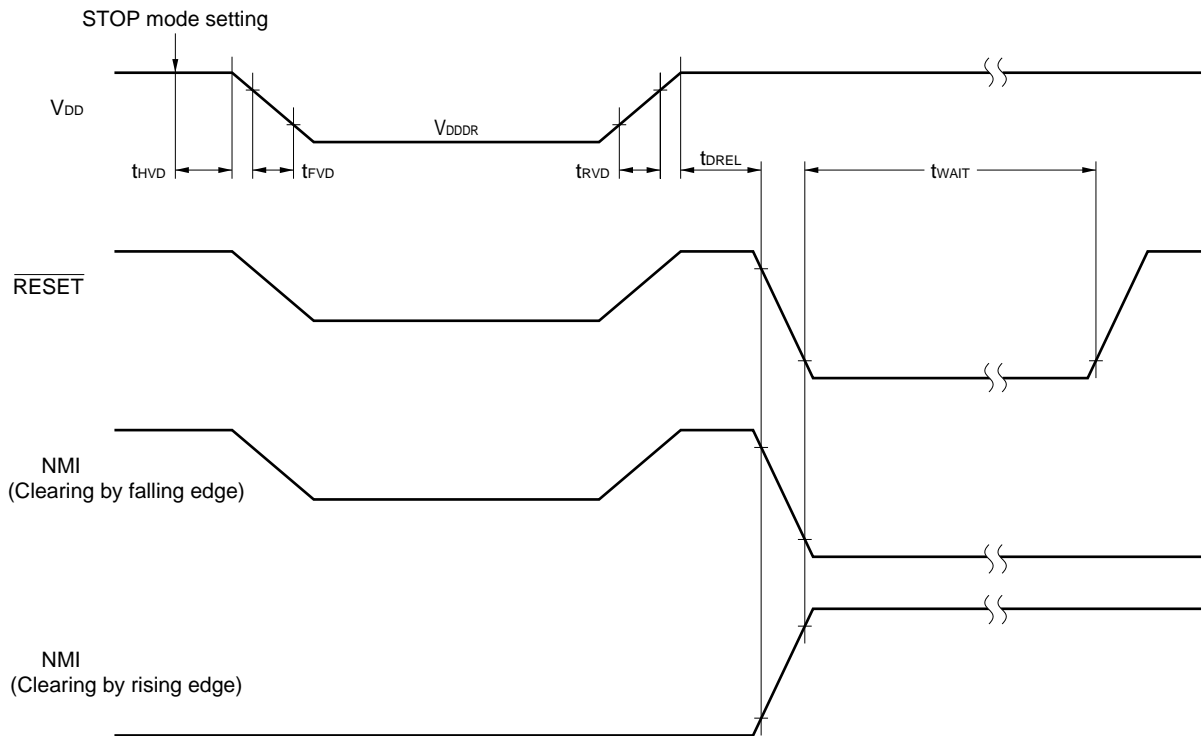




EXTERNAL CLOCK TIMING



DATA RETENTION CHARACTERISTICS



**DC PROGRAMMING CHARACTERISTICS** ( $T_A = 25 \pm 5^\circ\text{C}$ ,  $V_{SS} = 0\text{ V}$ )

Parameter	Symbol	Symbol <sup>Note 1</sup>	Conditions	MIN.	TYP.	MAX.	Unit
High-level input voltage	$V_{IH}$	$V_{IH}$		2.2		$V_{DDP} + 0.3$	V
Low-level input voltage	$V_{IL}$	$V_{IL}$		-0.3		+0.8	V
Input leakage current	$I_{LIP}$	$I_{LI}$	$0 \leq V_I \leq V_{DDP}$ <sup>Note 2</sup>			±10	μA
High-level output voltage	$V_{OH}$	$V_{OH}$	$I_{OH} = -400\ \mu\text{A}$	2.4			V
Low-level output voltage	$V_{OL}$	$V_{OL}$	$I_{OL} = 2.1\ \text{mA}$			0.45	V
Output leakage current	$I_{LO}$	—	$0 \leq V_O \leq V_{DDP}$ , $\overline{OE} = V_{IH}$			±10	μA
$V_{DDP}$ supply voltage	$V_{DDP}$	$V_{CC}$	Program memory write mode	6.25	6.5	6.75	V
			Program memory read mode	4.5	5.0	5.5	V
$V_{PP}$ supply voltage	$V_{PP}$	$V_{PP}$	Program memory write mode	12.2	12.5	12.8	V
			Program memory read mode	$V_{PP} = V_{DDP}$			V
$V_{DDP}$ supply current	$I_{DD}$	$I_{DD}$	Program memory write mode		10	40	mA
			Program memory read mode		10	40	mA
$V_{PP}$ supply current	$I_{PP}$	$I_{PP}$	Program memory write mode		5	50	mA
			Program memory read mode		1.0	100	μA

**Notes 1.** Symbols for the corresponding μPD27C1001A

**2.** The  $V_{DDP}$  represents the  $V_{DD}$  pin as viewed in the programming mode.

**AC PROGRAMMING CHARACTERISTICS** ( $T_A = 25 \pm 5^\circ\text{C}$ ,  $V_{SS} = 0\text{ V}$ )

**PROM Write Mode (Page Program Mode)**

Parameter	Symbol <sup>Note 1</sup>	Conditions	MIN.	TYP.	MAX.	Unit
Address setup time	$t_{AS}$		2			μs
$\overline{CE}$ set time	$t_{CES}$		2			μs
Input data setup time	$t_{DS}$		2			μs
Address hold time	$t_{AH}$		2			μs
	$t_{AHL}$		2			μs
	$t_{AHV}$		0			μs
Input data hold time	$t_{DH}$		2			μs
Output data hold time	$t_{DF}$		0		130	ns
$V_{PP}$ setup time	$t_{VPS}$		2			μs
$V_{DDP}$ setup time	$t_{VDS}$ <sup>Note 2</sup>		2			μs
Initial program pulse width	$t_{PW}$		0.095	0.1	0.105	ms
$\overline{OE}$ set time	$t_{OES}$		2			μs
Valid data delay time from $\overline{OE}$	$t_{OE}$			1	2	ns
$\overline{OE}$ pulse width in the data latch	$t_{LW}$		1			μs
$\overline{PGM}$ setup time	$t_{PGMS}$		2			μs
$\overline{CE}$ hold time	$t_{CEH}$		2			μs
$\overline{OE}$ hold time	$t_{OEH}$		2			μs

**Notes 1.** These symbols (except  $t_{VDS}$ ) correspond to those of the corresponding μPD27C1001A.

**2.** For μPD27C1001A, read  $t_{VDS}$  as  $t_{VCS}$ .

**PROM Write Mode (Byte Program Mode)**

Parameter	Symbol <sup>Note 1</sup>	Conditions	MIN.	TYP.	MAX.	Unit
Address setup time	t <sub>AS</sub>		2			$\mu$ s
$\overline{CE}$ set time	t <sub>CES</sub>		2			$\mu$ s
Input data setup time	t <sub>DS</sub>		2			$\mu$ s
Address hold time	t <sub>AH</sub>		2			$\mu$ s
Input data hold time	t <sub>DH</sub>		2			$\mu$ s
Output data hold time	t <sub>DF</sub>		0		130	ns
V <sub>PP</sub> setup time	t <sub>VPS</sub>		2			$\mu$ s
V <sub>DDP</sub> setup time	t <sub>VDS</sub> <sup>Note 2</sup>		2			$\mu$ s
Initial program pulse width	t <sub>PW</sub>		0.095	0.1	0.105	ms
$\overline{OE}$ set time	t <sub>OES</sub>		2			$\mu$ s
Valid data delay time from $\overline{OE}$	t <sub>OE</sub>			1	2	ns

**Notes 1.** These symbols (except t<sub>VDS</sub>) correspond to those of the corresponding  $\mu$ PD27C1001A.

**2.** For  $\mu$ PD27C1001A, read t<sub>VDS</sub> as t<sub>VCS</sub>.

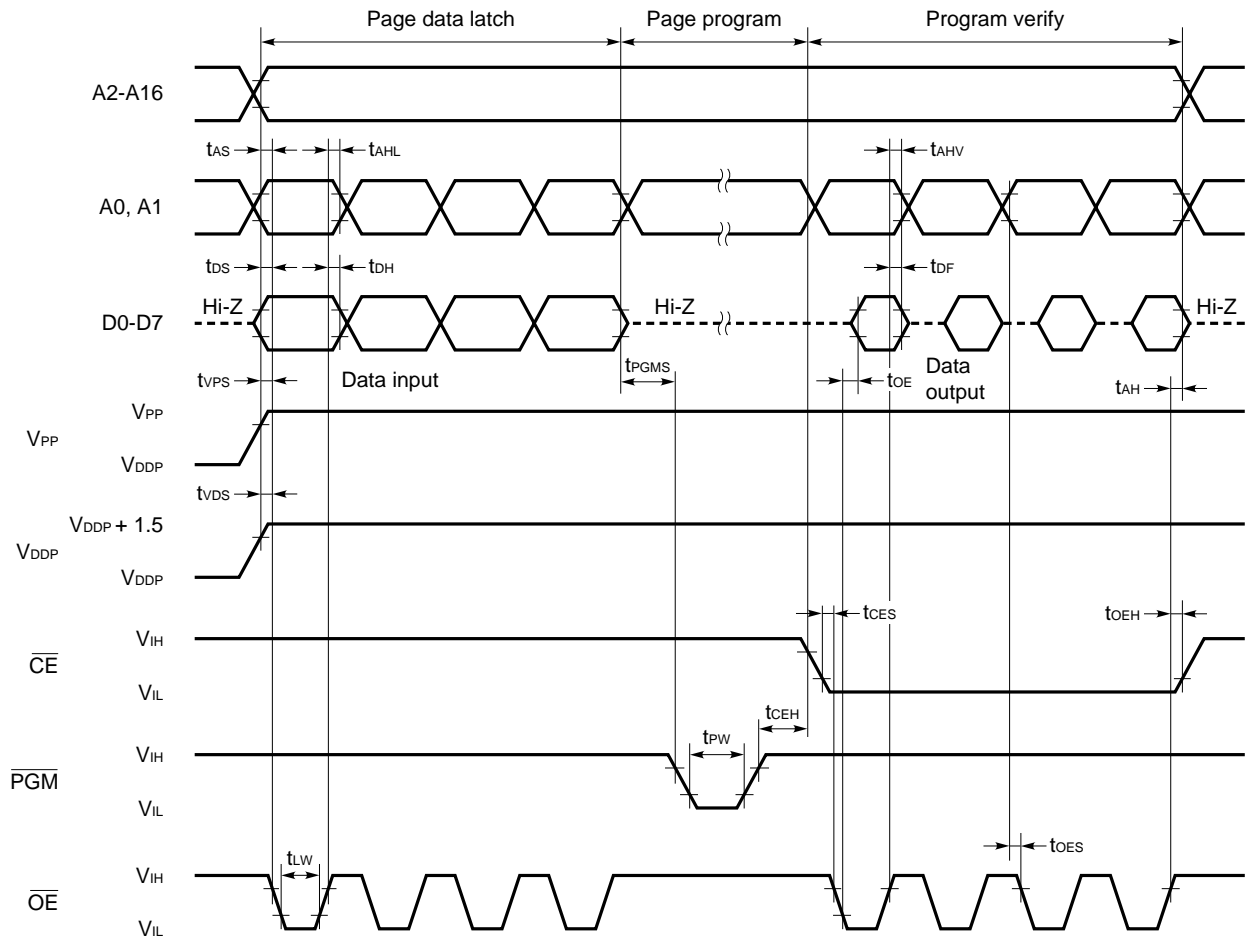
**PROM Read Mode**

Parameter	Symbol <sup>Note 1</sup>	Conditions	MIN.	TYP.	MAX.	Unit
Data output time from address	t <sub>ACC</sub>	$\overline{CE} = \overline{OE} = V_{IL}$			200	ns
Delay from $\overline{CE} \downarrow$ to data output	t <sub>CE</sub>	$\overline{OE} = V_{IL}$		1	2	$\mu$ s
Delay from $\overline{OE} \downarrow$ to data output	t <sub>OE</sub>	$\overline{CE} = V_{IL}$		1	2	$\mu$ s
Data hold time to $\overline{OE} \uparrow$ or $\overline{CE} \uparrow$ <sup>Note 2</sup>	t <sub>DF</sub>	$\overline{CE} = V_{IL}$ or $\overline{OE} = V_{IL}$	0		60	ns
Data hold time to address	t <sub>OH</sub>	$\overline{CE} = \overline{OE} = V_{IL}$	0			ns

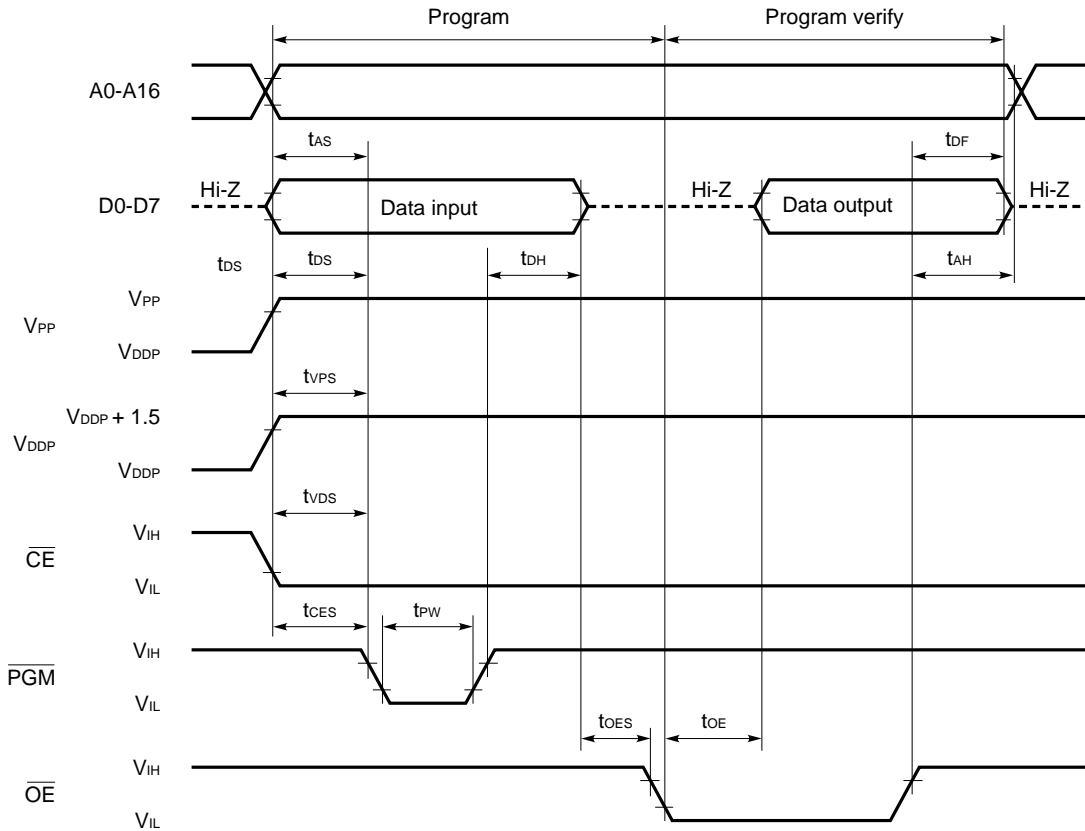
**Notes 1.** These symbols correspond to those of the corresponding  $\mu$ PD27C1001A.

**2.** t<sub>DF</sub> is the time measured from when either  $\overline{OE}$  or  $\overline{CE}$  reaches V<sub>IH</sub>, whichever is faster.

PROM Write Mode Timing (Page Program Mode)

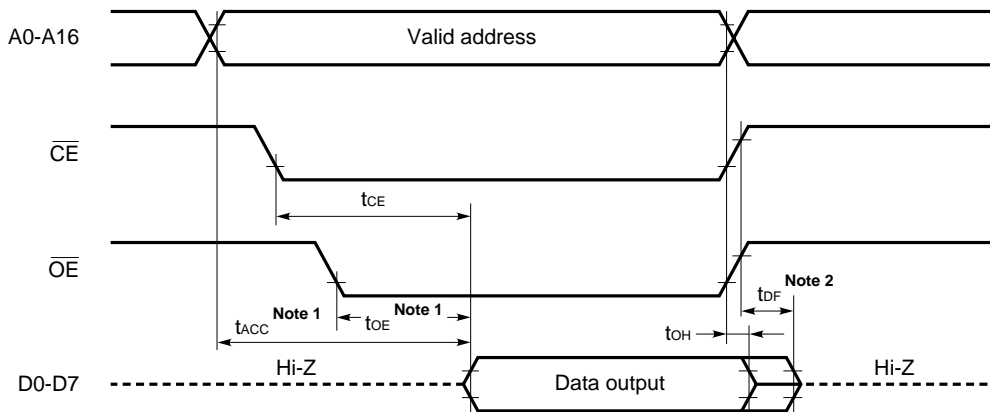


**PROM Write Mode Timing (Byte Program Mode)**



- Cautions**
1. **V<sub>DDP</sub> must be applied before V<sub>PP</sub>, and must be cut after V<sub>PP</sub>.**
  2. **V<sub>PP</sub> including overshoot must not exceed +13.5 V.**
  3. **Plugging in or out the board with the V<sub>PP</sub> pin supplied with +12.5 V may adversely affect its reliability.**

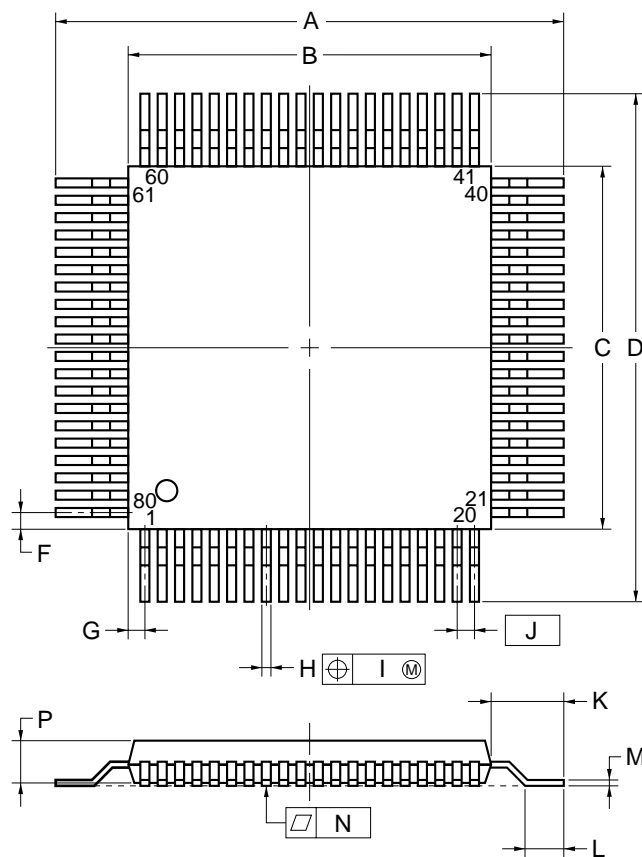
**PROM Read Mode Timing**



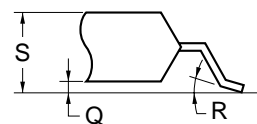
- Notes**
1. For reading within  $t_{ACC}$ , the delay of the  $\overline{OE}$  input from falling edge of  $\overline{CE}$  must be within  $t_{ACC}-t_{OE}$ .
  2.  $t_{DF}$  is the time measured from when either  $\overline{OE}$  or  $\overline{CE}$  reaches  $V_{IH}$ , whichever is faster.

12. PACKAGE DRAWINGS

80 PIN PLASTIC QFP (14x14)



detail of lead end



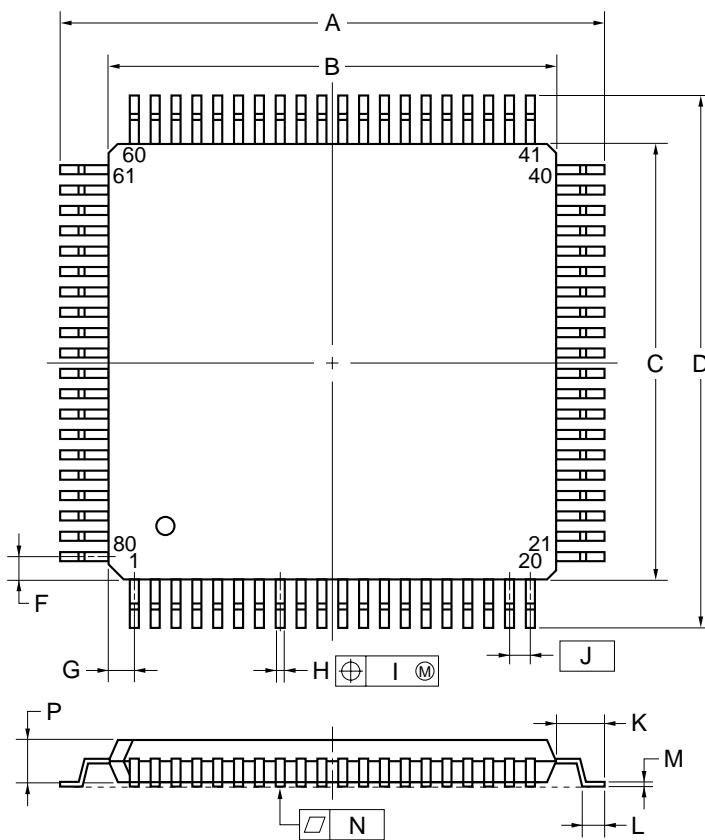
NOTE

Each lead centerline is located within 0.13 mm (0.005 inch) of its true position (T.P.) at maximum material condition.

ITEM	MILLIMETERS	INCHES
A	17.2±0.4	0.677±0.016
B	14.0±0.2	0.551 <sup>+0.009</sup> <sub>-0.008</sub>
C	14.0±0.2	0.551 <sup>+0.009</sup> <sub>-0.008</sub>
D	17.2±0.4	0.677±0.016
F	0.825	0.032
G	0.825	0.032
H	0.30±0.10	0.012 <sup>+0.004</sup> <sub>-0.005</sub>
I	0.13	0.005
J	0.65 (T.P.)	0.026 (T.P.)
K	1.6±0.2	0.063±0.008
L	0.8±0.2	0.031 <sup>+0.009</sup> <sub>-0.008</sub>
M	0.15 <sup>+0.10</sup> <sub>-0.05</sub>	0.006 <sup>+0.004</sup> <sub>-0.003</sub>
N	0.10	0.004
P	2.7±0.1	0.106 <sup>+0.005</sup> <sub>-0.004</sub>
Q	0.1±0.1	0.004±0.004
R	5°±5°	5°±5°
S	3.0 MAX.	0.119 MAX.

S80GC-65-3B9-5

80 PIN PLASTIC QFP (14×14)



**NOTE**

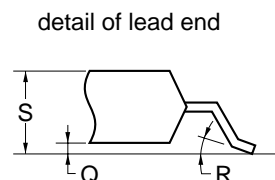
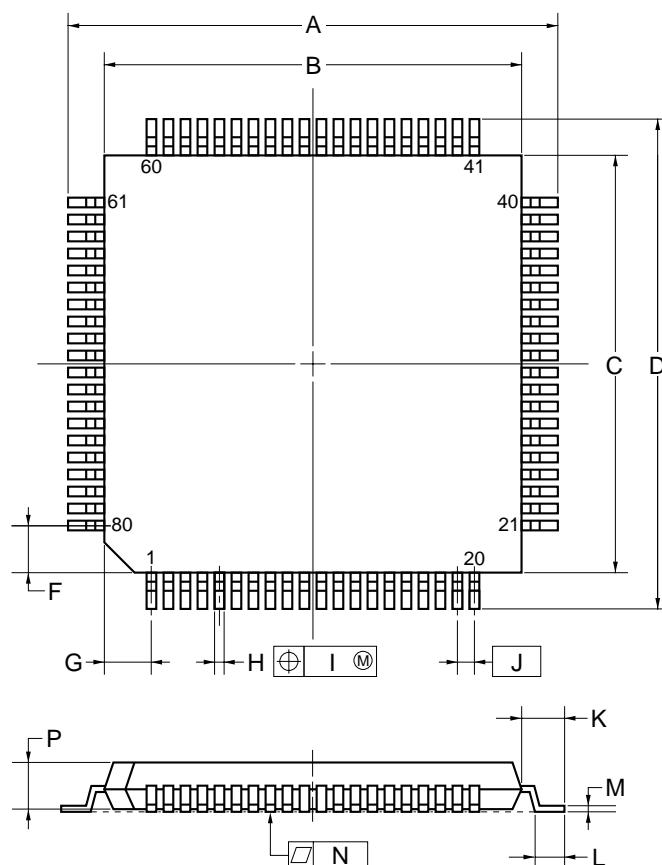
Each lead centerline is located within 0.13 mm (0.005 inch) of its true position (T.P.) at maximum material condition.

ITEM	MILLIMETERS	INCHES
A	17.20±0.20	0.677±0.008
B	14.00±0.20	0.551 <sup>+0.009</sup> <sub>-0.008</sub>
C	14.00±0.20	0.551 <sup>+0.009</sup> <sub>-0.008</sub>
D	17.20±0.20	0.677±0.008
F	0.825	0.032
G	0.825	0.032
H	0.32±0.06	0.013 <sup>+0.002</sup> <sub>-0.003</sub>
I	0.13	0.005
J	0.65 (T.P.)	0.026 (T.P.)
K	1.60±0.20	0.063±0.008
L	0.80±0.20	0.031 <sup>+0.009</sup> <sub>-0.008</sub>
M	0.17 <sup>+0.03</sup> <sub>-0.07</sub>	0.007 <sup>+0.001</sup> <sub>-0.003</sub>
N	0.10	0.004
P	1.40±0.10	0.055±0.004
Q	0.125±0.075	0.005±0.003
R	3° <sup>+7°</sup> <sub>-3°</sub>	3° <sup>+7°</sup> <sub>-3°</sub>
S	1.70 MAX.	0.067 MAX.

P80GC-65-8BT



80 PIN PLASTIC TQFP (FINE PITCH) (12×12)



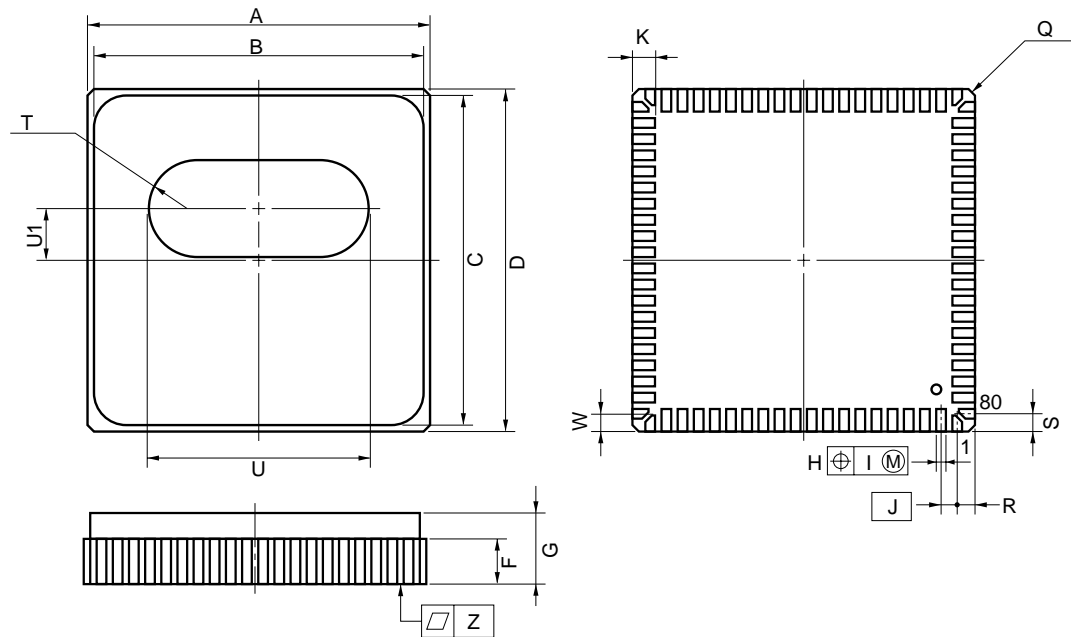
**NOTE**

Each lead centerline is located within 0.10 mm (0.004 inch) of its true position (T.P.) at maximum material condition.

ITEM	MILLIMETERS	INCHES
A	14.00±0.20	0.551±0.008
B	12.00±0.20	0.472 <sup>+0.009</sup> <sub>-0.008</sub>
C	12.00±0.20	0.472 <sup>+0.009</sup> <sub>-0.008</sub>
D	14.00±0.20	0.551±0.008
F	1.25	0.049
G	1.25	0.049
H	0.22 <sup>+0.05</sup> <sub>-0.04</sub>	0.009±0.002
I	0.10	0.004
J	0.50 (T.P.)	0.020 (T.P.)
K	1.00±0.20	0.039 <sup>+0.009</sup> <sub>-0.008</sub>
L	0.50±0.20	0.020 <sup>+0.008</sup> <sub>-0.009</sub>
M	0.145 <sup>+0.055</sup> <sub>-0.045</sub>	0.006±0.002
N	0.10	0.004
P	1.05	0.041
Q	0.10±0.05	0.004±0.002
R	5°±5°	5°±5°
S	1.27 MAX.	0.050 MAX.

P80GK-50-BE9-5

80 PIN CERAMIC WQFN



X80KW-65A-1

**NOTE**

Each lead centerline is located within 0.06 mm (0.003 inch) of its true position (T.P.) at maximum material condition.

ITEM	MILLIMETERS	INCHES
A	14.0±0.2	0.551±0.008
B	13.6	0.535
C	13.6	0.535
D	14.0±0.2	0.551±0.008
F	1.84	0.072
G	3.6 MAX.	0.142 MAX.
H	0.45±0.10	0.018 <sup>+0.004</sup> <sub>-0.005</sub>
I	0.06	0.003
J	0.65 (T.P.)	0.024 (T.P.)
K	1.0±0.15	0.039 <sup>+0.007</sup> <sub>-0.006</sub>
Q	C 0.3	C 0.012
R	0.825	0.032
S	0.825	0.032
T	R 2.0	R 0.079
U	9.0	0.354
U1	2.1	0.083
W	0.75±0.15	0.030 <sup>+0.006</sup> <sub>-0.007</sub>
Z	0.10	0.004

**13. RECOMMENDED SOLDERING CONDITIONS**

The conditions listed below shall be met when soldering the μPD78P4038.

For details of the recommended soldering conditions, refer to our document **Semiconductor Device Mounting Technology Manual (C10535E)**.

Please consult with our sales offices in case any other soldering process is used, or in case soldering is done under different conditions.

**Table 13-1. Soldering Conditions for Surface-Mount Devices (1/2)**

**(1) μPD78P4038GC-3B9: 80-pin plastic QFP (14 × 14 × 2.7 mm)**

Soldering Process	Soldering Conditions	Symbol
Infrared ray reflow	Peak package's surface temperature: 235°C Reflow time: 30 seconds or less (210°C or more) Maximum allowable number of reflow processes: 3	IR35-00-3
VPS	Peak package's surface temperature: 215°C Reflow time: 40 seconds or less (200°C or more) Maximum allowable number of reflow processes: 3	VP15-00-3
Wave soldering	Solder temperature: 260°C or less Flow time: 10 seconds or less Number of flow processes: 1 Preheating temperature : 120°C max. (measured on the package surface)	WS60-00-1
Partial heating method	Terminal temperature: 300°C or less Heat time: 3 seconds or less (for one side of a device)	—

**Caution Do not apply two or more different soldering methods to one chip (except for partial heating method for terminal sections).**

**(2) μPD78P4038GC-8BT: 80-pin plastic QFP (14 × 14 × 1.4 mm)**

Soldering Process	Soldering Conditions	Symbol
Infrared ray reflow	Peak package's surface temperature: 235°C Reflow time: 30 seconds or less (210°C or more) Maximum allowable number of reflow processes: 2	IR35-00-2
VPS	Peak package's surface temperature: 215°C Reflow time: 40 seconds or less (200°C or more) Maximum allowable number of reflow processes: 2	VP15-00-2
Wave soldering	Solder temperature: 260°C or less Flow time: 10 seconds or less Number of flow processes: 1 Preheating temperature : 120°C max. (measured on the package surface)	WS60-00-1
Partial heating method	Terminal temperature: 300°C or less Heat time: 3 seconds or less (for one side of a device)	—

**Caution Do not apply two or more different soldering methods to one chip (except for partial heating method for terminal sections).**

Table 13-1. Soldering Conditions for Surface-Mount Devices (2/2)

(3) μPD78P4038GK-BE9: 80-pin plastic TQFP (fine pitch) (12 × 12 mm)

Soldering Process	Soldering Conditions	Symbol
Infrared ray reflow	Peak package's surface temperature: 235°C Reflow time: 30 seconds or less (210°C or more) Maximum allowable number of reflow processes: 2 Exposure limit: 7 days <sup>Note</sup> (10 hours of pre-baking is required at 125°C afterward) <Caution> Non-heat-resistant trays, such as magazine and taping trays, cannot be baked before unpacking.	IR35-107-2
VPS	Peak package's surface temperature: 215°C Reflow time: 40 seconds or less (200°C or more) Maximum allowable number of reflow processes: 2 Exposure limit: 7 days <sup>Note</sup> (10 hours of pre-baking is required at 125°C afterward) <Caution> Non-heat-resistant trays, such as magazine and taping trays, cannot be baked before unpacking.	VP15-107-2
Partial heating method	Terminal temperature: 300°C or less Heat time: 3 seconds or less (for one side of a device)	—

**Note** Maximum number of days during which the product can be stored at a temperature of 25°C and a relative humidity of 65% or less after dry-pack package is opened.

**Caution** Do not apply two or more different soldering methods to one chip (except for partial heating method for terminal sections).

★ **APPENDIX A DEVELOPMENT TOOLS**

The following development tools are available for system development using the μPD78P4038.

See also (5).

**(1) Language processing software**

RA78K4	Assembler package for all 78K/IV Series models
CC78K4	C compiler package for all 78K/IV Series models
DF784038	Device file for μPD784038 Subseries models
CC78K4-L	C compiler library source file for all 78K/IV Series models

**(2) PROM write tools**

PG-1500	PROM programmer
PA-78P4026GC PA-78P4038GK PA-78P4026KK	Programmer adaptor, connects to PG-1500
PG-1500 controller	Control program for PG-1500

**(3) Debugging tools**

- **When using the in-circuit emulator IE-78K4-NS**

IE-78K4-NS	In-circuit emulator for all 78K/IV Series models
IE-70000-MC-PS-B	Power supply unit for IE-78K4-NS
IE-70000-98-IF-C	Interface adapter when the PC-9800 series computer (other than a notebook) is used as the host machine
IE-70000-CD-IF	PC card and interface cable when a PC-9800 series notebook is used as the host machine
IE-70000-PC-IF-C	Interface adapter when the IBM PC/AT™ or compatible is used as the host machine
IE-784038-NS-EM1 <sup>Note</sup>	Emulation board for evaluating μPD784038 Subseries models
NP-80GC	Emulation probe for 80-pin plastic QFP (GC-3B9 and GC-8BT types)
NP-80GK <sup>Note</sup>	Emulation probe for 80-pin plastic TQFP (GK-BE9 type)
EV-9200GC-80	Socket for mounting on target system board made for 80-pin plastic QFP (GC-3B9 and GC-8BT types)
TGK-080SDW	Adapter for mounting on target system board made for 80-pin plastic TQFP (fine pitch) (GK-BE9 type)
EV-9900	Tool used to remove the μPD78P4038KK-T from the EV-9200GC-80
ID78K4-NS	Integrated debugger for IE-78K4-NS
SM78K4	System simulator for all 78K/IV Series models
DF784038	Device file for μPD784038 Subseries models

**Note** Under development

• When using the in-circuit emulator IE-784000-R

IE-784000-R	In-circuit emulator for all 78K/IV Series models
IE-70000-98-IF-B IE-70000-98-IF-C	Interface adapter when the PC-9800 series computer (other than a notebook) is used as the host machine
IE-70000-98N-IF	Interface adapter and cable when a PC-9800 series notebook is used as the host machine
IE-70000-PC-IF-B IE-70000-PC-IF-C	Interface adapter when the IBM PC/AT or compatible is used as the host machine
IE-78000-R-SV3	Interface adapter and cable when the EWS is used as the host machine
IE-784038-NS-EM1 <sup>Note</sup> IE-784038-R-EM1	Emulation board for evaluating μPD784038 Subseries models
IE-78400-R-EM	Emulation board for all 78K/IV Series models
IE-78K4-R-EX2 <sup>Note</sup>	Conversion board for 80 pins to use the IE-784038-NS-EM1 on the IE-784000-R. The board is not needed when the conventional product IE-784038-R-EM1 is used.
EP-78230GC-R	Emulation probe for 80-pin plastic QFP (GC-3B9 and GC-8BT types)
EP-78054GK-R	Emulation probe for 80-pin plastic TQFP (fine pitch) (GK-BE9 type) for all μPD784038 Subseries
EV-9200GC-80	Socket for mounting on target system board made for 80-pin plastic QFP (GC-3B9 and GC-8BT types)
TGK-080SDW	Adapter for mounting on target system board made for 80-pin plastic TQFP (fine pitch) (GK-BE9 type)
EV-9900	Tool used to remove the μPD78P4038KK-T from the EV-9200GC-80
ID78K4	Integrated debugger for IE-784000-R
SM78K4	System simulator for all 78K/IV Series models
DF784038	Device file for μPD784038 Subseries models

**Note** Under development

**(4) Real-time OS**

RX78K/IV	Real-time OS for 78K/IV Series models
MX78K4	OS for 78K/IV Series models

**(5) Notes when using development tools**

- The ID78K4-NS, ID78K4, and SM78K4 can be used in combination with the DF784038.
- The CC78K4 and RX78K/IV can be used in combination with the RA78K4 and DF784038.
- The NP-80GC is a product from Naito Densai Machida Mfg. Co., Ltd. (044-822-3813). Consult the NEC sales representative for purchasing.
- The TGK-080SDW is a product from TOKYO ELETECH CORPORATION.

Refer to: Daimaru Kogyo, Ltd.

Tokyo Electronic Components Division (03-3820-7112)

Osaka Electronic Components Division (06-244-6672)

- The host machines and operating systems corresponding to each software are shown below.

Host Machine [OS] Software	PC	EWS
	PC-9800 Series [Windows™] IBM PC/AT and compatibles [Windows]	HP9000 Series 700™ [HP-UXTM] SPARCstation™ [SunOSTM] NEWSTM (RISC) [NEWS-OSTM]
RA78K4	○ <b>Note</b>	○
CC78K4	○ <b>Note</b>	○
PG-1500 controller	○ <b>Note</b>	-
ID78K4-NS	○	-
ID78K4	○	○
SM78K4	○	-
RX78K/IV	○ <b>Note</b>	○
MX78K4	○ <b>Note</b>	○

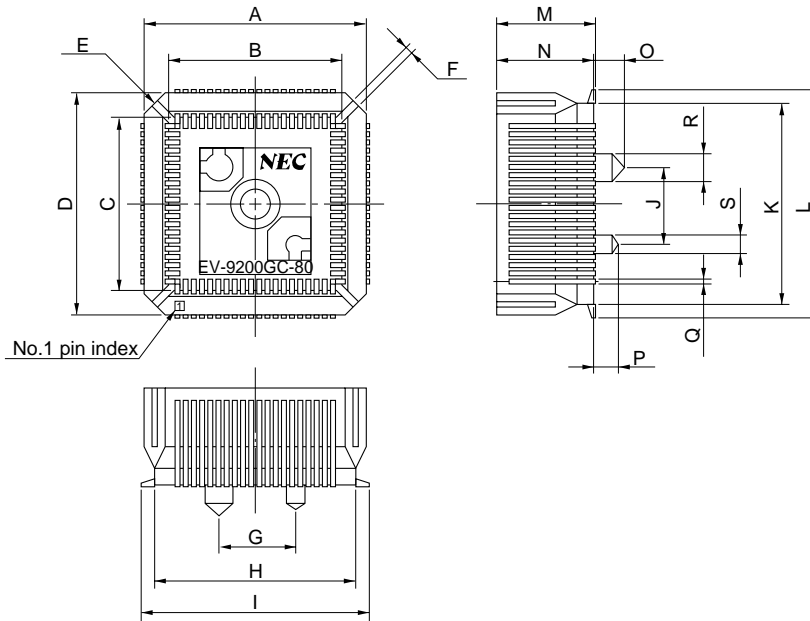
**Note** Software under MS-DOS

APPENDIX B CONVERSION SOCKET (EV-9200GC-80) AND CONVERSION ADAPTER (TGK-080SDW)

- (1) Conversion socket (EV-9200GC-80) package drawings and recommended pattern to mount the socket  
 Connect the μPD78P4038YKK-T (80-pin ceramic WQFN (14 × 14 mm)) and EP-78230GC-R to the circuit board in combination with the EV-9200GC-80.

Figure B-1. Package Drawings of EV-9200GC-80 (Reference) (unit: mm)

Based on EV-9200GC-80  
 (1) Package drawing (in mm)



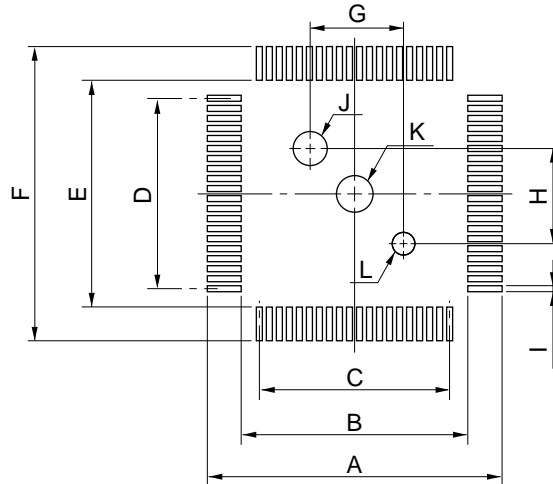
EV-9200GC-80-G0E

ITEM	MILLIMETERS	INCHES
A	18.0	0.709
B	14.4	0.567
C	14.4	0.567
D	18.0	0.709
E	4-C 2.0	4-C 0.079
F	0.8	0.031
G	6.0	0.236
H	16.0	0.63
I	18.7	0.736
J	6.0	0.236
K	16.0	0.63
L	18.7	0.736
M	8.2	0.323
O	8.0	0.315
N	2.5	0.098
P	2.0	0.079
Q	0.35	0.014
R	φ2.3	φ0.091
S	1.5	0.059



Figure B-2. Recommended Pattern to Mount EV-9200GC-80 on a Substrate (Reference) (unit: mm)

Based on EV-9200GC-80  
(2) Pad drawing (in mm)



EV-9200GC-80-P1E

ITEM	MILLIMETERS	INCHES
A	19.7	0.776
B	15.0	0.591
C	$0.65 \pm 0.02 \times 19 = 12.35 \pm 0.05$	$0.026^{+0.001}_{-0.002} \times 0.748 = 0.486^{+0.003}_{-0.002}$
D	$0.65 \pm 0.02 \times 19 = 12.35 \pm 0.05$	$0.026^{+0.001}_{-0.002} \quad 0.748 = 0.486^{+0.003}_{-0.002}$
E	15.0	0.591
F	19.7	0.776
G	$6.0 \pm 0.05$	$0.236^{+0.003}_{-0.002}$
H	$6.0 \pm 0.05$	$0.236^{+0.003}_{-0.002}$
I	$0.35 \pm 0.02$	$0.014^{+0.001}_{-0.001}$
J	$\phi 2.36 \pm 0.03$	$\phi 0.093^{+0.001}_{-0.002}$
K	$\phi 2.3$	$\phi 0.091$
L	$\phi 1.57 \pm 0.03$	$\phi 0.062^{+0.001}_{-0.002}$

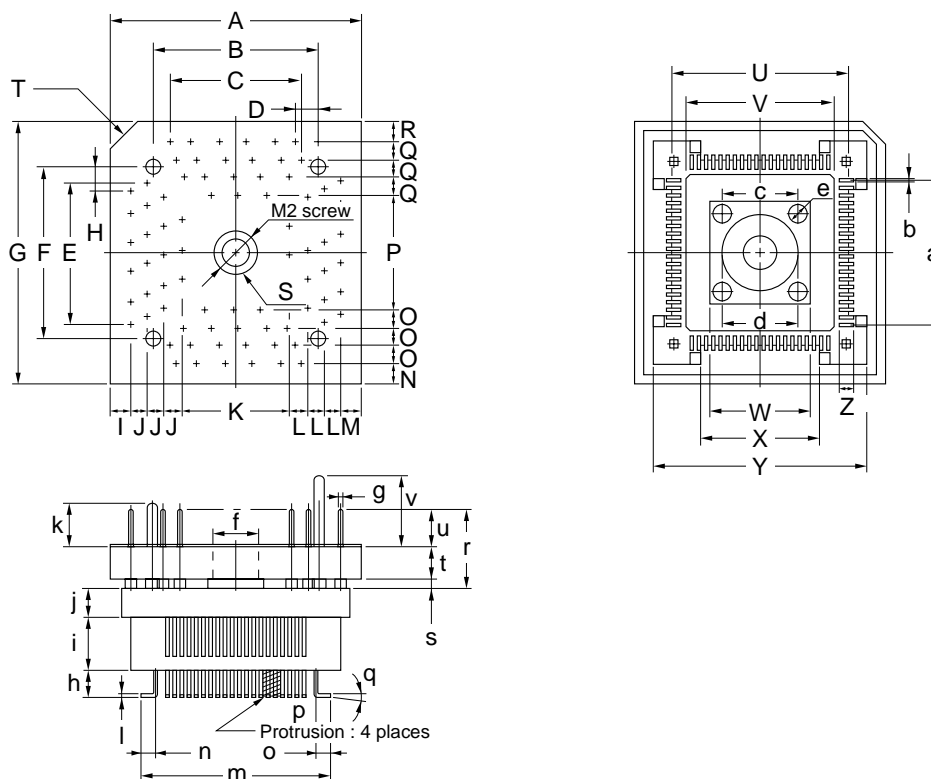
**Caution** Dimensions of mount pad for EV-9200 and that for target device (QFP) may be different in some parts. For the recommended mount pad dimensions for QFP, refer to "SEMICONDUCTOR DEVICE MOUNTING TECHNOLOGY MANUAL" (C10535E).

(2) Conversion adapter (TGK-080SDW) package drawings

Connect the μPD78P4038GK-BE9 (80-pin plastic TQFP (fine pitch: 12 × 12 mm)) to the circuit board in combination with the TGK-080SDW.

Figure B-3. Package Drawings of TGK-080SDW (Reference) (unit: mm)

TGK-080SDW (TQPACK080SD + TQSOCKET080SDW)  
Package dimension (unit: mm)



ITEM	MILLIMETERS	INCHES	ITEM	MILLIMETERS	INCHES
A	18.0	0.709	a	0.5x19=9.5±0.10	0.020x0.748=0.374±0.004
B	11.77	0.463	b	0.25	0.010
C	0.5x19=9.5	0.020x0.748=0.374	c	φ5.3	φ0.209
D	0.5	0.020	d	φ5.3	φ0.209
E	0.5x19=9.5	0.020x0.748=0.374	e	φ1.3	φ0.051
F	11.77	0.463	f	φ3.55	φ0.140
G	18.0	0.709	g	φ0.3	φ0.012
H	0.5	0.020	h	1.85±0.2	0.073±0.008
I	1.58	0.062	i	3.5	0.138
J	1.2	0.047	j	2.0	0.079
K	7.64	0.301	k	3.0	0.118
L	1.2	0.047	l	0.25	0.010
M	1.58	0.062	m	14.0	0.551
N	1.58	0.062	n	1.4±0.2	0.055±0.008
O	1.2	0.047	o	1.4±0.2	0.055±0.008
P	7.64	0.301	p	h=1.8 φ1.3	h=0.071 φ0.051
Q	1.2	0.047	q	0-5°	0.000-0.197°
R	1.58	0.062	r	5.9	0.232
S	φ3.55	φ0.140	s	0.8	0.031
T	C 2.0	C 0.079	t	2.4	0.094
U	12.31	0.485	u	2.7	0.106
V	10.17	0.400	v	3.9	0.154
W	6.8	0.268	<b>TGK-080SDW-G1E</b>		
X	8.24	0.324			
Y	14.8	0.583			
Z	1.4±0.2	0.055±0.008			

note: Product by TOKYO ELETECH CORPORATION.

**APPENDIX C RELATED DOCUMENTS**

**Documents Related to Devices**

Document Name	Document No.	
	English	Japanese
μPD784031 Data Sheet	U11507E	U11507J
μPD784035, 784036, 784037, 784038 Data Sheet	U10847E	U10847J
μPD78P4038 Data Sheet	This manual	U10848J
μPD784038, 784038Y Sub-Series User's Manual, Hardware	U11316E	U11316J
μPD784038 Sub-Series Special Function Registers	–	U11090J
78K/IV Series User's Manual, Instruction	U10905E	U10905J
78K/IV Series Instruction Summary Sheet	–	U10594J
78K/IV Series Instruction Set	–	U10595J
78K/IV Series Application Note, Software Basic	–	U10095J

★ **Documents Related to Development Tools (User's Manual)**

Document Name		Document No.	
		English	Japanese
RA78K4 Assembler Package	Operation	U11334E	U11334J
	Language	U11162E	U11162J
RA78K Series Structured Assembler Preprocessor		U11743E	U11743J
CC78K4 Series	Operation	U11572E	U11572J
	Language	U11571E	U11571J
CC78K Series Library Source File		U12322E	U12322J
PG-1500 PROM Programmer		U11940E	U11940J
PG-1500 Controller PC-9800 Series (MS-DOS™) Base		EEU-1291	EEU-704
PG-1500 Controller IBM PC Series (PC DOS™) Base		U10540E	EEU-5008
IE-78K4-NS		To be released soon	U13356J
IE-784000-R		EEU-1534	U12903J
IE-784038-NS-EM1		To be created	To be created
IE-784038-R-EM1		U11383E	U11383J
EP-78230		EEU-1515	EEU-985
EP-78054GK-R		EEU-1468	EEU-932
SM78K4 System Simulator Windows Base	Reference	U10093E	U10093J
SM78K Series System Simulator	External Parts User Open Interface Specifications	U10092E	U10092J
ID78K4-NS Integrated Debugger	Reference	U12796E	U12796J
ID78K4 Integrated Debugger Windows Base	Reference	U10440E	U10440J
ID78K4 Integrated Debugger HP-UX, SunOS, NEWS-OS Base	Reference	U11960E	U11960J

**Caution** The above documents may be revised without notice. Use the latest versions when you design application systems.

**Documents Related to Software to Be Incorporated into the Product (User's Manual)**

Document Name		Document No.	
		English	Japanese
78K/IV Series Real-Time OS	Basic	U10603E	U10603J
	Installation	U10604E	U10604J
	Debugger	–	U10364J
OS for 78K/IV Series MX78K4	Basic	–	U11779J

★ **Other Documents**

Document Name	Document No.	
	English	Japanese
IC PACKAGE MANUAL	C10943X	
Semiconductor Device Mounting Technology Manual	C10535E	C10535J
Quality Grades on NEC Semiconductor Device	C11531E	C11531J
NEC Semiconductor Device Reliability/Quality Control System	C10983E	C10983J
Guide to Prevent Damage for Semiconductor Devices by Electrostatic Discharge (ESD)	C11892E	C11892J
Semiconductor Device Quality Control/Reliability Handbook	–	C12769J
Guide for Products Related to Microcomputer: Other Companies	–	U11416J

**Caution** The above documents may be revised without notice. Use the latest versions when you design application systems.

## NOTES FOR CMOS DEVICES

### ① PRECAUTION AGAINST ESD FOR SEMICONDUCTORS

**Note:** Strong electric field, when exposed to a MOS device, can cause destruction of the gate oxide and ultimately degrade the device operation. Steps must be taken to stop generation of static electricity as much as possible, and quickly dissipate it once, when it has occurred. Environmental control must be adequate. When it is dry, humidifier should be used. It is recommended to avoid using insulators that easily build static electricity. Semiconductor devices must be stored and transported in an anti-static container, static shielding bag or conductive material. All test and measurement tools including work bench and floor should be grounded. The operator should be grounded using wrist strap. Semiconductor devices must not be touched with bare hands. Similar precautions need to be taken for PW boards with semiconductor devices on it.

### ② HANDLING OF UNUSED INPUT PINS FOR CMOS

**Note:** No connection for CMOS device inputs can be cause of malfunction. If no connection is provided to the input pins, it is possible that an internal input level may be generated due to noise, etc., hence causing malfunction. CMOS device behave differently than Bipolar or NMOS devices. Input levels of CMOS devices must be fixed high or low by using a pull-up or pull-down circuitry. Each unused pin should be connected to  $V_{DD}$  or  $GND$  with a resistor, if it is considered to have a possibility of being an output pin. All handling related to the unused pins must be judged device by device and related specifications governing the devices.

### ③ STATUS BEFORE INITIALIZATION OF MOS DEVICES

**Note:** Power-on does not necessarily define initial status of MOS device. Production process of MOS does not define the initial operation status of the device. Immediately after the power source is turned ON, the devices with reset function have not yet been initialized. Hence, power-on does not guarantee out-pin levels, I/O settings or contents of registers. Device is not initialized until the reset signal is received. Reset operation must be executed immediately after power-on for devices having reset function.

**IEBus and QTOP are trademarks of NEC Corporation.**

**MS-DOS and Windows are either registered trademarks or trademarks of Microsoft Corporation in the United States and/or other countries.**

**PC/AT and PC DOS are trademarks of IBM Corporation.**

**HP9000 series 700 and HP-UX are trademarks of Hewlett-Packard Company.**

**SPARCstation is a trademark of SPARC International, Inc.**

**SunOS is a trademark of Sun Microsystems, Inc.**

**NEWS and NEWS-OS are trademarks of SONY Corporation.**

## Regional Information

Some information contained in this document may vary from country to country. Before using any NEC product in your application, please contact the NEC office in your country to obtain a list of authorized representatives and distributors. They will verify:

- Device availability
- Ordering information
- Product release schedule
- Availability of related technical literature
- Development environment specifications (for example, specifications for third-party tools and components, host computers, power plugs, AC supply voltages, and so forth)
- Network requirements

In addition, trademarks, registered trademarks, export restrictions, and other legal issues may also vary from country to country.

### **NEC Electronics Inc. (U.S.)**

Santa Clara, California  
Tel: 408-588-6000  
800-366-9782  
Fax: 408-588-6130  
800-729-9288

### **NEC Electronics (Germany) GmbH**

Duesseldorf, Germany  
Tel: 0211-65 03 02  
Fax: 0211-65 03 490

### **NEC Electronics (UK) Ltd.**

Milton Keynes, UK  
Tel: 01908-691-133  
Fax: 01908-670-290

### **NEC Electronics Italiana s.r.l.**

Milano, Italy  
Tel: 02-66 75 41  
Fax: 02-66 75 42 99

### **NEC Electronics (Germany) GmbH**

Benelux Office  
Eindhoven, The Netherlands  
Tel: 040-2445845  
Fax: 040-2444580

### **NEC Electronics (France) S.A.**

Velizy-Villacoublay, France  
Tel: 01-30-67 58 00  
Fax: 01-30-67 58 99

### **NEC Electronics (France) S.A.**

Spain Office  
Madrid, Spain  
Tel: 01-504-2787  
Fax: 01-504-2860

### **NEC Electronics (Germany) GmbH**

Scandinavia Office  
Taeby, Sweden  
Tel: 08-63 80 820  
Fax: 08-63 80 388

### **NEC Electronics Hong Kong Ltd.**

Hong Kong  
Tel: 2886-9318  
Fax: 2886-9022/9044

### **NEC Electronics Hong Kong Ltd.**

Seoul Branch  
Seoul, Korea  
Tel: 02-528-0303  
Fax: 02-528-4411

### **NEC Electronics Singapore Pte. Ltd.**

United Square, Singapore 1130  
Tel: 65-253-8311  
Fax: 65-250-3583

### **NEC Electronics Taiwan Ltd.**

Taipei, Taiwan  
Tel: 02-719-2377  
Fax: 02-719-5951

### **NEC do Brasil S.A.**

Cumbica-Guarulhos-SP, Brasil  
Tel: 011-6465-6810  
Fax: 011-6465-6829

Some related documents may be preliminary versions. Note that, however, what documents are preliminary is not indicated in this document.

The export of these products from Japan is regulated by the Japanese government. The export of some or all of these products may be prohibited without governmental license. To export or re-export some or all of these products from a country other than Japan may also be prohibited without a license from that country. Please call an NEC sales representative.

License not needed : μPD78P4038KK-T  
The customer must judge the need for license : μPD78P4038GC-3B9, μPD78P4038GC-xxx-3B9,  
μPD78P4038GC-8BT  
μPD78P4038GK-BE9, μPD78P4038GK-xxx-BE9

No part of this document may be copied or reproduced in any form or by any means without the prior written consent of NEC Corporation. NEC Corporation assumes no responsibility for any errors which may appear in this document.

NEC Corporation does not assume any liability for infringement of patents, copyrights or other intellectual property rights of third parties by or arising from use of a device described herein or any other liability arising from use of such device. No license, either express, implied or otherwise, is granted under any patents, copyrights or other intellectual property rights of NEC Corporation or others.

While NEC Corporation has been making continuous effort to enhance the reliability of its semiconductor devices, the possibility of defects cannot be eliminated entirely. To minimize risks of damage or injury to persons or property arising from a defect in an NEC semiconductor device, customers must incorporate sufficient safety measures in its design, such as redundancy, fire-containment, and anti-failure features.

NEC devices are classified into the following three quality grades:

"Standard", "Special", and "Specific". The Specific quality grade applies only to devices developed based on a customer designated "quality assurance program" for a specific application. The recommended applications of a device depend on its quality grade, as indicated below. Customers must check the quality grade of each device before using it in a particular application.

Standard: Computers, office equipment, communications equipment, test and measurement equipment, audio and visual equipment, home electronic appliances, machine tools, personal electronic equipment and industrial robots

Special: Transportation equipment (automobiles, trains, ships, etc.), traffic control systems, anti-disaster systems, anti-crime systems, safety equipment and medical equipment (not specifically designed for life support)

Specific: Aircrafts, aerospace equipment, submersible repeaters, nuclear reactor control systems, life support systems or medical equipment for life support, etc.

The quality grade of NEC devices is "Standard" unless otherwise specified in NEC's Data Sheets or Data Books. If customers intend to use NEC devices for applications other than those specified for Standard quality grade, they should contact an NEC sales representative in advance.

Anti-radioactive design is not implemented in this product.