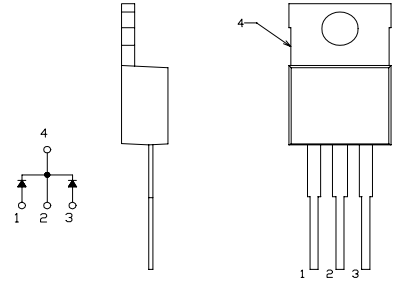


SBD Type : GCQ20A03L

OUTLINE DRAWING

FEATURES

- *Similar to TO-220AB Case
- *Dual Diodes – Cathode Common
- *Low Forward Voltage Drop
- *High Surge Capability
- *Tj=150 °C operation



Maximum Ratings

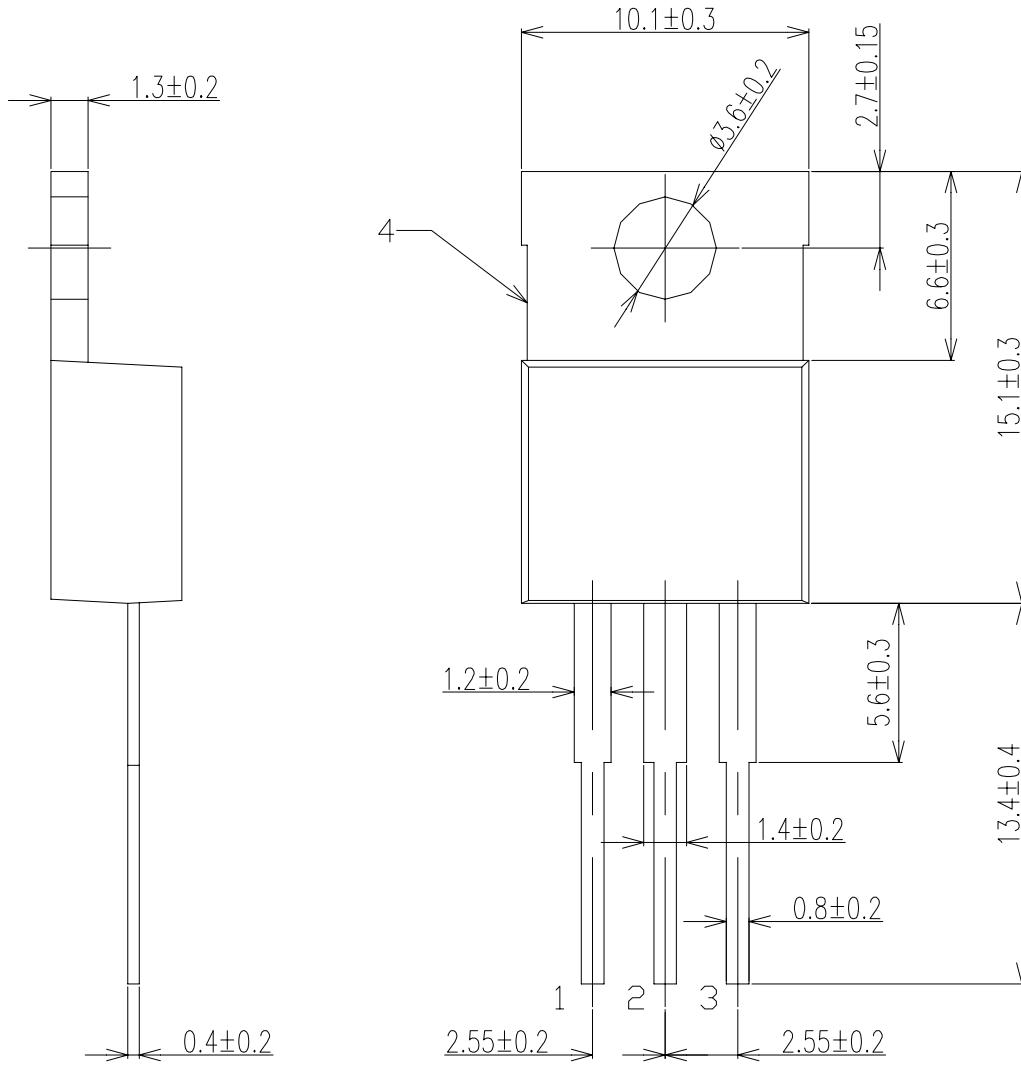
Approx Net Weight: 1.9g

Rating	Symbol	GCQ20A03L		Unit
Repetitive Peak Reverse Voltage	V_{RRM}	30		V
Repetitive Peak Surge Reverse Voltage	V_{RRSM}	35(pulse width $\leq 1\mu s$ duty $\leq 1/50$)		V
Average Rectified Output Current	I_O	20	$T_c=119^\circ C$ 50 Hz Full Sine Wave Resistive Load	A
RMS Forward Current	$I_{F(RMS)}$	22.2		A
Surge Forward Current	I_{FSM}	180	50Hz Full Sine Wave ,1cycle Non-repetitive	A
Operating JunctionTemperature Range	T_{jw}	-40 to +150		$^\circ C$
Storage Temperature Range	T_{stg}	-40 to +150		$^\circ C$
Mounting torque	Ftor	recommended torque = 0.5		N•m

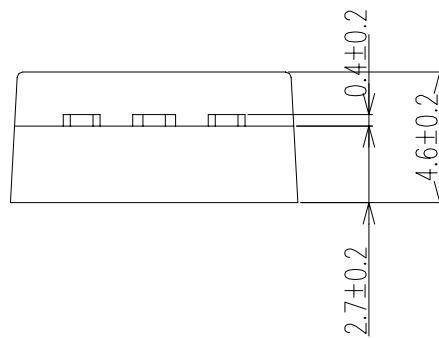
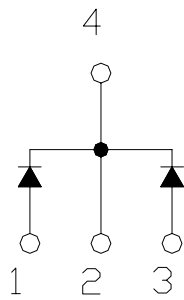
Electrical • Thermal Characteristics

Characteristics	Symbol	Conditions	Min.	Typ.	Max.	Unit
Peak Reverse Current	I_{RM}	$T_j= 25^\circ C, V_{RM}= V_{RRM}$ per arm	-	-	10	mA
Peak Forward Voltage	V_{FM}	$T_j= 25^\circ C, I_{FM}= 10 A$ per arm	-	-	0.49	V
Thermal Resistance	Rth(j-c)	Junction to Case	-	-	1.5	$^\circ C/W$

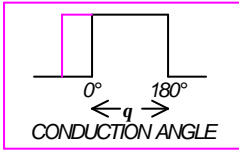
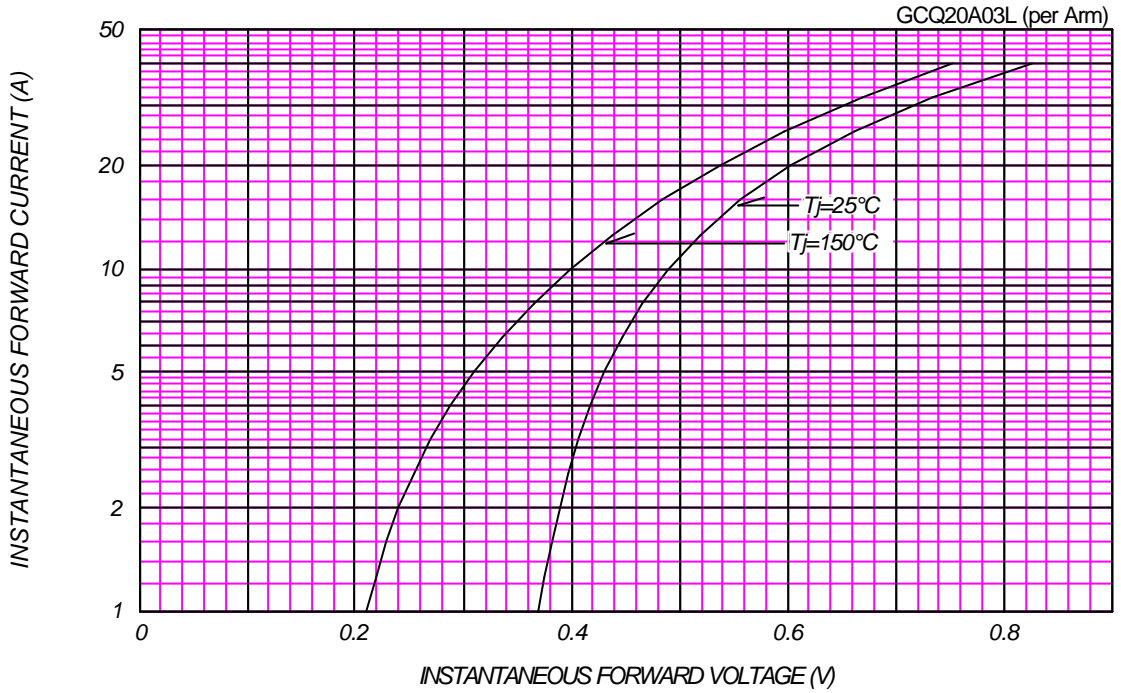
GCQ_A_OUTLINE DRAWING (Dimensions in mm)



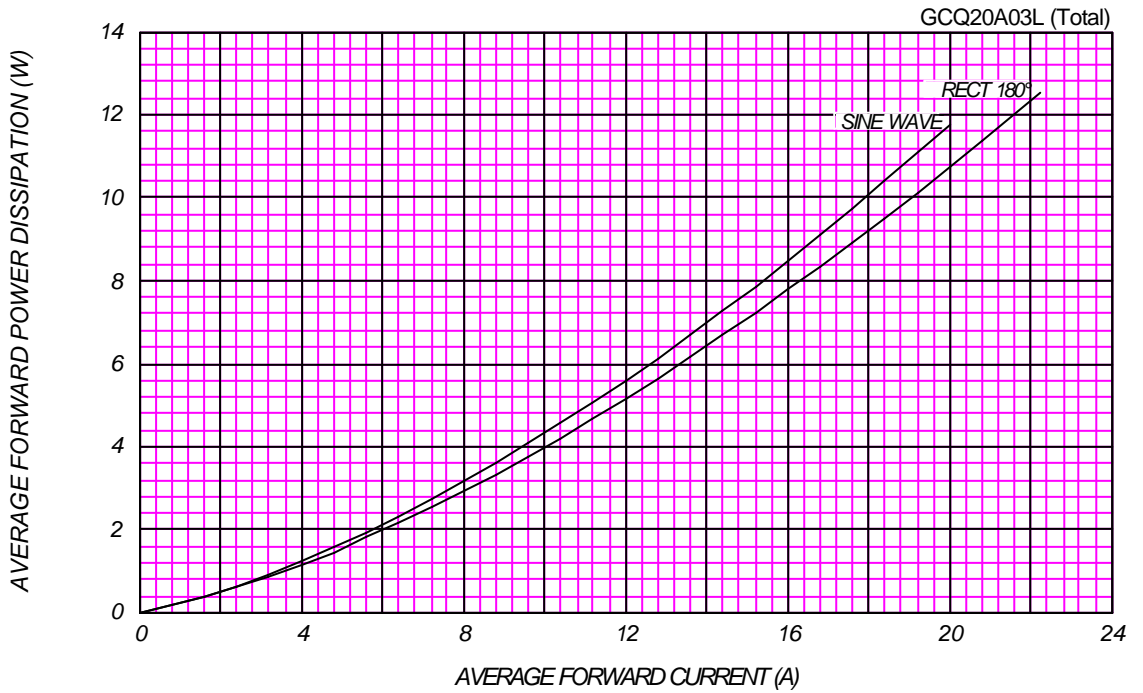
Center Tap



FORWARD CURRENT VS. VOLTAGE



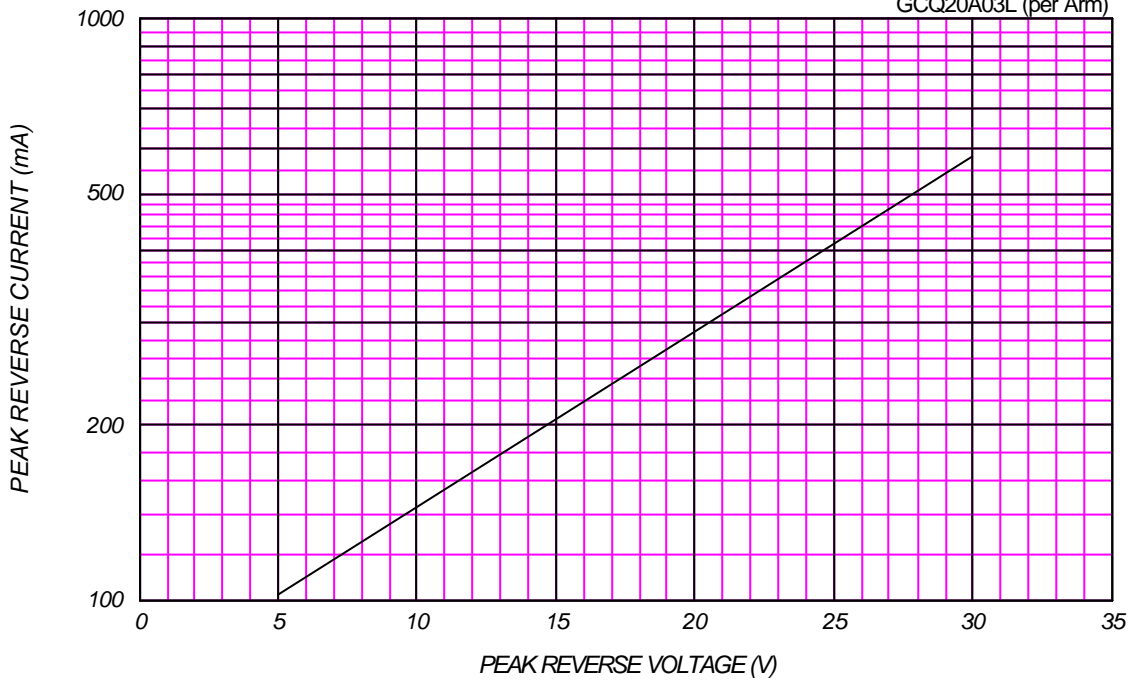
AVERAGE FORWARD POWER DISSIPATION



PEAK REVERSE CURRENT VS. PEAK REVERSE VOLTAGE

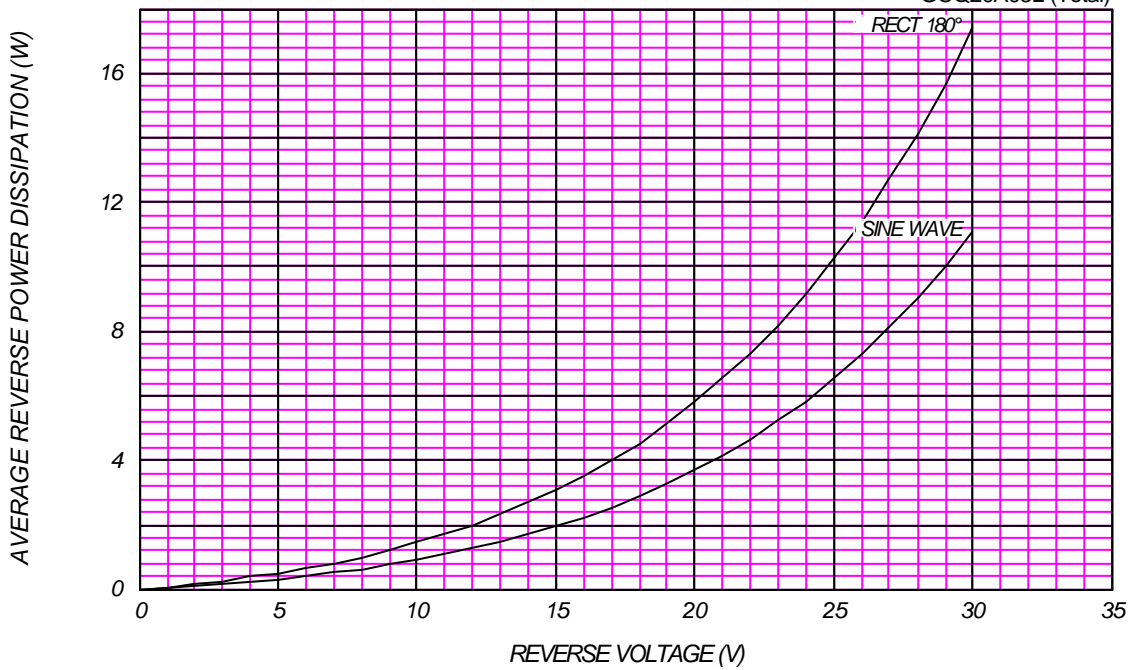
T_j = 150 °C

GCQ20A03L (per Arm)



AVERAGE REVERSE POWER DISSIPATION

GCQ20A03L (Total)

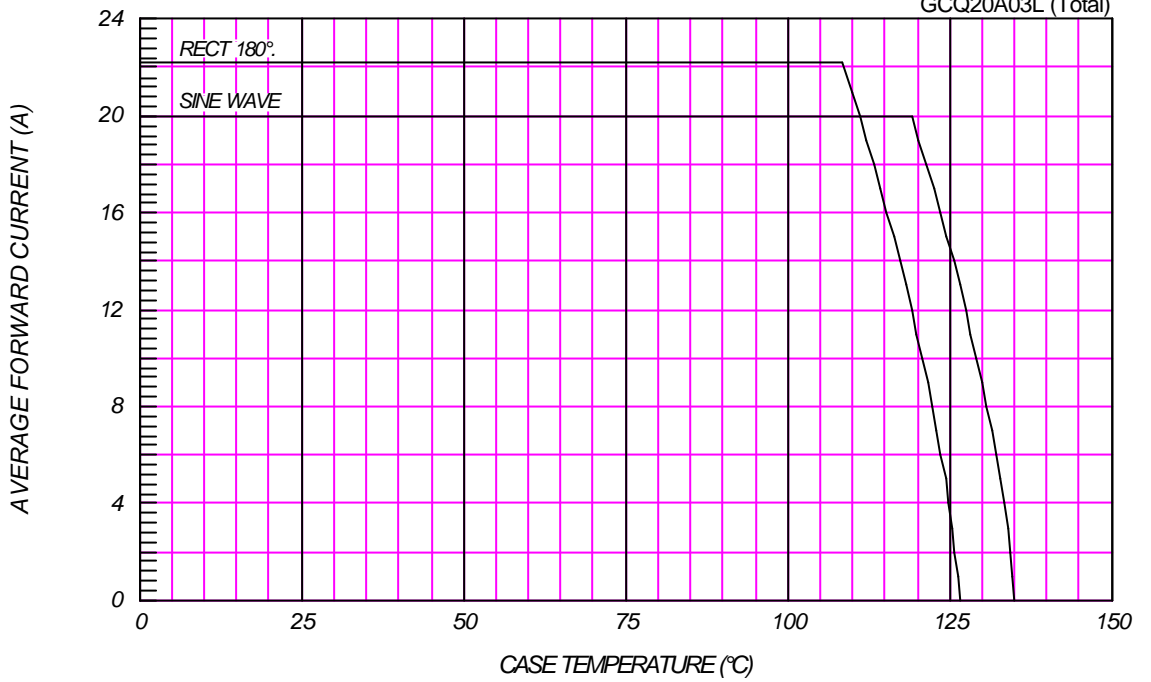




AVERAGE FORWARD CURRENT VS. CASE TEMPERATURE

$V_{RM}=30\text{ V}$

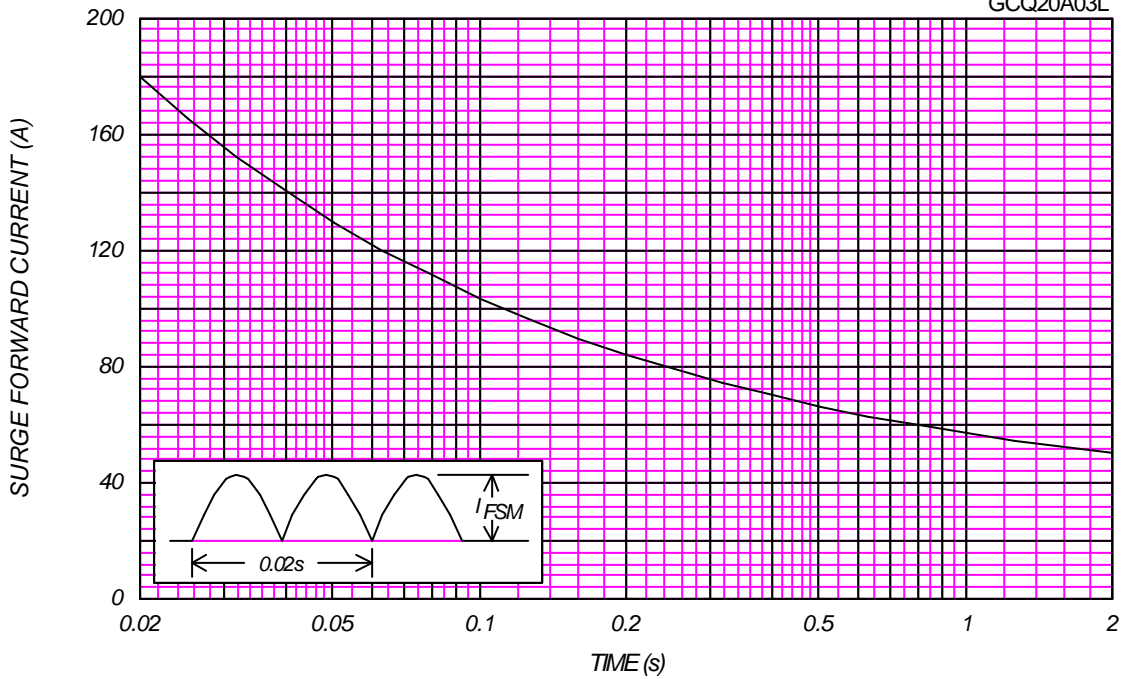
GCQ20A03L (Total)



SURGE CURRENT RATINGS

$f=50\text{ Hz}$, Sine Wave, Non-Repetitive, No Load

GCQ20A03L



JUNCTION CAPACITANCE VS. REVERSE VOLTAGE

$T_j=25^\circ\text{C}$, $V_m=20\text{mV}_{\text{RMS}}$, $f=100\text{kHz}$, Typical Value

GCQ20A03L (per Arm)

