



an Intel company

General Description

The GD16571 is a high performance low power 2.5 Gbit/s Laser Driver with optional on chip retiming of data.

The GD16571 is designed to meet and exceed ITU-T STM-16 or SONET OC-48 fiberoptic communication systems requirements.

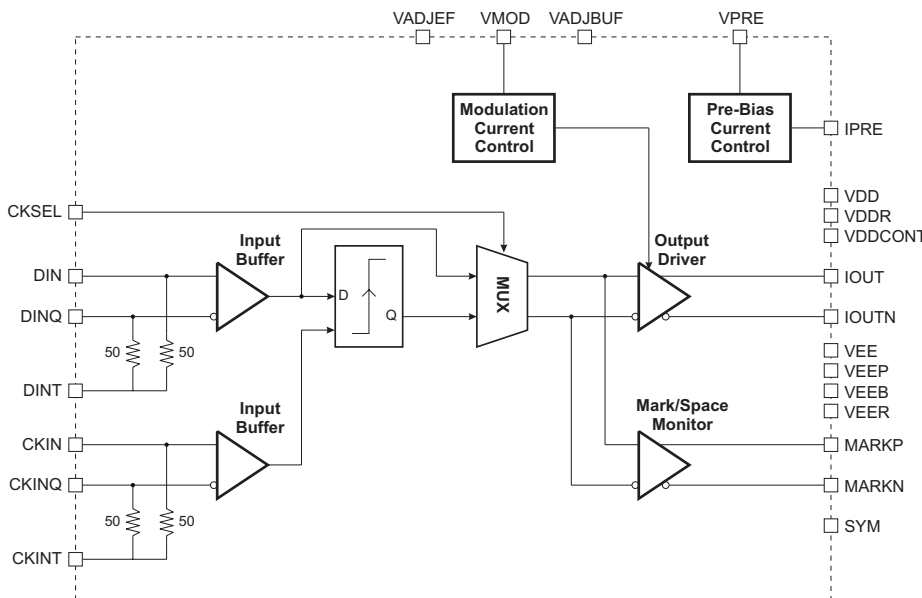
The GD16571 is designed to sink a Modulation Current into the IOOUT pin and a Pre-Bias Current into the IPRE pin. The Modulation Current is adjustable up to 70 mA by means of the pin VMOD. The Pre-Bias Current may be adjusted up to 50 mA by means of the VPRE pin.

Retiming of the data signal connected to the pins DIN, DINQ is made by means of a DFF clocked by an external clock signal at the data rate fed to the pins CKIN and CKINQ.

A Mark-Space monitor is available on the pins MARKP and MARKN. Together with the symmetry adjustment pin (SYM) this may be used to control the mark space ratio of the output signal.

The GD16571 is implemented in a Silicon Bipolar process and requires a single +5 V supply or a single -5.2 V supply.

The circuit is available in a thermally enhanced 32-pin TQFP plastic package.



2.5 Gbit/s Retiming Laser Driver GD16571

Preliminary

Features

- Complies with ITU-T STM-16 and SONET OC-48 standards.
- Intended for driving a 25 Ω load, e.g. a laser diode with 25 Ω input impedance.
- Clocked or non-clocked operation.
- Large modulation current adjustment range from 5 mA to 70 mA.
- Output voltage over / under shoot less than $\pm 2\%$ respectively $\pm 5\%$.
- Rise / fall times less than 100 ps.
- Laser diode pre-bias adjustable up to 50 mA.
- Mark-Space monitor.
- Symmetry adjustment.
- Internal 50 Ω termination of data and clock inputs.
- Operates up to 3.5 Gbit/s.
- Power dissipation: 0.38 W. Excluding Modulation Current and Pre-bias Current.
- Silicon Bipolar process.
- 32 pin thermally enhanced TQFP plastic package.

Applications

- Tele Communication:
 - SDH STM-16
 - SONET OC-48
- Datacom up to 3.125 Gbit/s.
- Electro Absorption laser driver.
- Direct Modulation laser driver.

Functional Details

GD16571 is a 2.5 Gbit/s laser driver with an optional retiming of the data signal. It is capable of driving high power laser diodes, typically having input impedance of $25\ \Omega$, at a maximum modulation current of 70 mA and a maximum pre-bias current of 50 mA.

Data (DIN, DINQ) is input to GD16571 and retimed within a DFF clocked by an external clock (CKIN, CKINQ). Optionally the retiming may be bypassed controlled by a select pin (CKSEL).

Both the differential data (DIN, DINQ) and clock inputs (CKIN, CKINQ) are internally terminated to $50\ \Omega$. Termination is made with a $50\ \Omega$ resistor from the two differential inputs to a common pin called DINT and CKINT respectively. The input sensitivity when driven with a single ended signal is better than 150 mV on both clock and data inputs.

The output pin (IOUT) is an open collector output designed for driving external loads with $25\ \Omega$ characteristic impedance. Because of the nature of an open collector the output therefore may be regarded as a current switch, with infinite output impedance. The characteristic impedance through the package is approximately $25\ \Omega$. Optimum performance of GD16571 therefore is achieved if the output is terminated into a $25\ \Omega$ impedance.

The output modulation current is controlled by the pin VMOD and can be controlled in the range from 0 mA to 70 mA, however the specifications is only valid in the range from 5 mA to 70 mA. The output voltage swing across the external load may be varied accordingly. The modulation current control on pin VMOD is implemented as a current mirror and therefore sinks a current proportional to the modulation current. The current sink into the VMOD pin is approximately $3/80$ of the modulation current. Two additional pins (VADJBUF and VADJEF) are available in order to optimise the performance of the output signal quality, specifically with respect to overshoot and undershoot. Typically best performance is obtained if these pins are connected to VMOD.

The pre-bias current is controlled by the pin VPRE and can be controlled from 0 mA to 50 mA. The pre-bias current control on pin VPRE is implemented as a current mirror and therefore sinks a current proportional to the pre-bias current. The current sink into the VPRE pin is approximately $3/500$ of the pre-bias current.

An important parameter for laser drivers is voltage overshoot on the output pin (IOUT), because it determines the extinction ratio. GD16571 has been designed with special emphasis on achieving a very small voltage overshoot. For

GD16571 the voltage overshoot is less than 2 % across the full modulation current range, when driving a $25\ \Omega$ load. Similarly the voltage undershoot is less than 5 %.

A mark-space monitor is provided through the pins MARKP and MARKN. These may be connected as shown in the application diagram below, with a capacitor across the two outputs and a comparator (or Op-amp) to determine the mark density. Symmetry input (SYM) is available which may be used to control the mark-space ratio.

AC Coupled Output

When DC coupled the output swing will be limited by IOUT output voltage specified to -2 V. For maximum output voltage swing the output should be AC coupled.

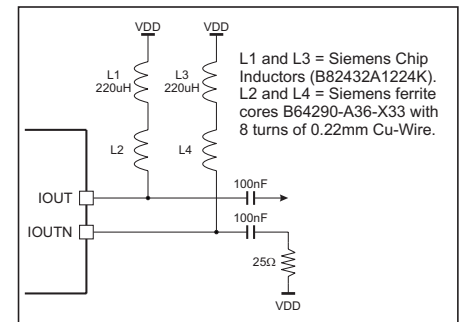


Figure 2. AC Coupled Output

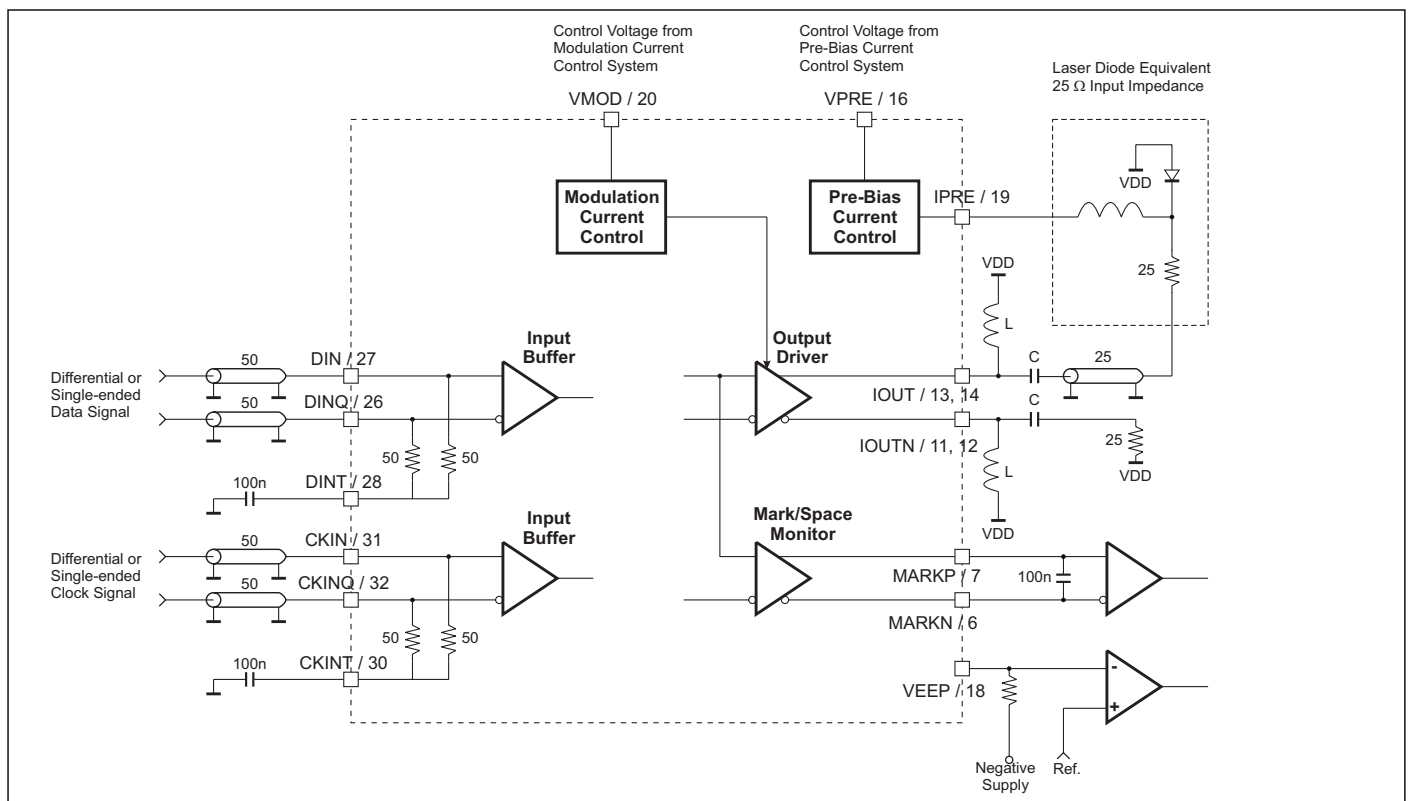


Figure 1. Application Diagram

Pin List

Mnemonic:	Pin No.:	Pin Type:	Description:
DIN DINQ	27 26	AC IN	Data inputs. Internally terminated in 50 Ω to DINT. Internally biased to -1.3 V
DINT	28	ANL IN	Termination voltage for DIN and DINQ.
CKIN CKINQ	31 32	AC IN	Clock inputs. Internally terminated in 50 Ω to CKINT. Internally biased to -1.3 V.
CKINT	30	ANL IN	Termination voltage for CKIN and CKINQ.
IOUT IOUTN	13, 14 11, 12	OPEN COLLECTOR	Laser Driver Output (2.5 Gbit/s). IOUT and IOUTN sink a modulation current, which is controlled by the pin VMOD. The current into IOUT is high when data is high on DIN.
IPRE	19	OPEN COLLECTOR	Pre-bias current output. IPRE sinks a current, which is controlled by the pin VPRE.
VMOD	20	ANL IN	Modulation current control input. The control system is made as a current mirror. VMOD sinks a current proportional to the modulation current. This current is approximately 3/80 times "The modulation current".
VPRE	16	ANL IN	Pre-bias current control input. The control system is made as a current mirror. VPRE sinks a current proportional to the pre-bias current. This current is approximately 3/500 times "The pre-bias current".
CKSEL	1	ECL IN	When CKSEL is low data is retimed. Otherwise data is bypassed the retiming.
SYM	24	ANL IN	SYM controls the mark-space ratio of the output. Decreasing the voltage of the SYM pin decreases the pulse width of a current high into the IOUT pin.
MARKP MARKN	7 6	ANL OUT	Mark-space monitor outputs. High impedance CML outputs. The output voltage of the MARKP pin is the same as the voltage on the DIN input.
VADJBUF VADJEF	22 21	ANL IN	Pins used to optimise the performance of the output in terms of overshoot and undershoot. Typically optimum performance will be achieved when shorted to VMOD.
VDD	2, 4, 10, 15	PWR	Ground pins for laser driver part.
VDDCONT	3	PWR	Ground pin for modulation current control system.
VDDR	29	PWR	Ground pin for retiming part.
VEE	5, 8, 23	PWR	Negative supply pins for laser driver part.
VEEP	18	PWR	Negative supply pin for output driver.
VEEB	17	PWR	Negative supply pin for pre-bias circuitry.
VEER	25	PWR	Negative supply pin for retiming part.
NC	9		Not Connected.
Heat sink	Package back		Connected to VEE.

Package Pinout

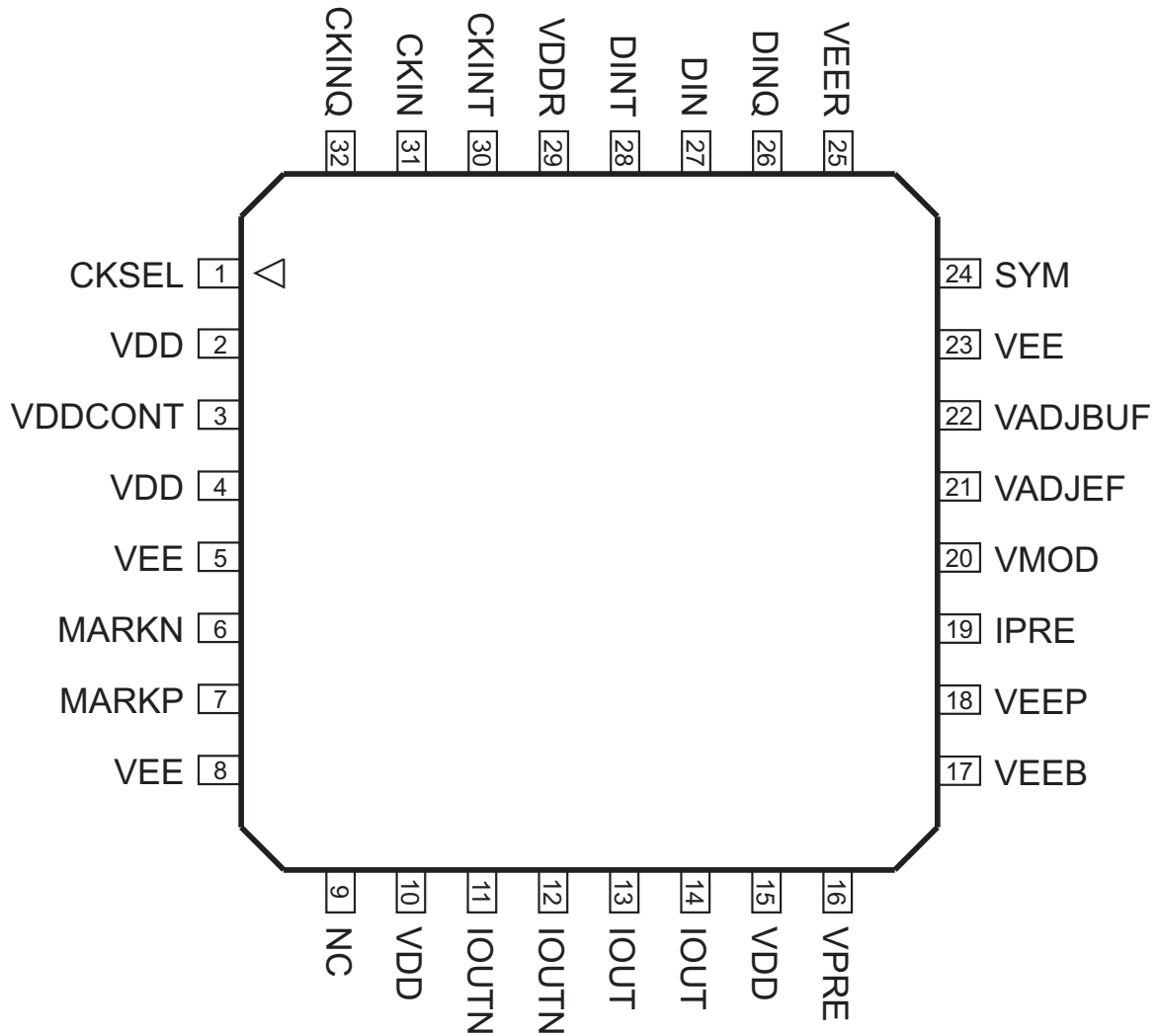


Figure 3. Package 32 TQFP, Top View

Maximum Ratings

These are the limits beyond which the component may be damaged.
 All voltages in table are referred to VDD.
 All currents in table are defined positive out of the pin.

Symbol:	Characteristic:	Conditions:	MIN.:	TYP.:	MAX.:	UNIT:
V_{EE}	Power Supply		-6		0	V
V_O	Applied Voltage (All Outputs)		$V_{EE} - 0.5$		2	V
V_i	Applied Voltage (All Inputs)		$V_{EE} - 0.5$		0.5	V
$I_{I AC IN}$	Input Current (AC IN)		-1		1	mA
$I_{I VMOD}$	Input Current (VMOD)		-4		1	mA
$I_{I VPRE}$	Input Current (VPRE, VADJBUF and VADJEF)	Note 1	-1		1	mA
T_o	Operating Temperature	Base	-55		+125	°C
T_s	Storage Temperature		-65		+165	°C

Note 1: Voltage and/or current should be externally limited to specified range.

DC Characteristics

$T_{CASE} = -40\text{ }^{\circ}\text{C}$ to $85\text{ }^{\circ}\text{C}$, appropriate heat sinking may be required.

All voltages in table are referred to VDD.

All currents in table are defined positive out of the pin.

Symbol:	Characteristic:	Conditions:	MIN.:	TYP.:	MAX.:	UNIT:
V_{EE}	Power Supply		-5.5	-5.2	-4.7	V
I_{EE}	Negative Supply Current	$I_{OUT} = 0\text{ A}$		75		mA
P_{DISS}	Power Dissipation	$V_{EE} = -5.0\text{ V}$, $I_{OUT} = 0\text{ A}$, $I_{PRE} = 0\text{ A}$		0.38	0.5	W
$V_{pp\ AN\ IN}$	Peak-peak Voltage when Input is Driven Single ended.	$V_{VTH} = -1.3\text{ V}$	150		800	mV
V_{VMOD}	Voltage Range for VMOD		V_{EE}		V_{DD}	V
I_{VMOD}	Sink Current into Pin VMOD		-4		0	mA
$V_{IN\ NN}$	Input Voltage Range for VPRES, VADJBUF, VADJEF and SYM		V_{EE}		V_{DD}	V
$I_{SINK\ NN}$	Sink Current into pin VPRES, VADJBUF, VADJEF and SYM		-1		0	mA
$V_{IN\ SYM}$	Input Voltage Range for SYM		V_{EE}		V_{DD}	V
$I_{LEAK\ SYM}$	Leakage Current for CKSEL		-1		1	mA
$V_{IN\ CKSEL}$	Input Voltage Range for CKSEL		V_{EE}		V_{DD}	V
$I_{LEAK\ CKSEL}$	Leakage Current for SYM		-1		1	mA
$V_{LO\ MARK}$	Low Output Voltage for Mark-Space Monitor			-2.0		V
$R_{O\ MARK}$	Output Impedance for Mark-Space Monitor			4.0		k Ω
$V_{O\ IPRE}$	IPRE Output Voltage		-2.0			V
I_{IPRE}	IPRE Current		-50		0	mA
$V_{O\ IOUT}$	IOUT Output Voltage	Note 1	-2.0			V
$I_{Mod,HI\ IOUT}$	IOUT High Modulation Current	Note 1,2	-70		0	mA
$I_{Mod,LO\ IOUT}$	IOUT Low Modulation Current	Note 1,3	-3		1	mA

Note 1: $R_{LOAD} = 25\ \Omega$ to VDD connected to pin IOUT. Sink current is controlled by the VMOD pin, and may be adjusted in the range as specified. Notice that high modulation current means that the output voltage level is low.

Note 2: The AC parameters are only specified in the range from -70 mA to -5 mA. However at $T_{CASE} = 0\text{ }^{\circ}\text{C}$ to $70\text{ }^{\circ}\text{C}$ AC parameters are specified from -80 mA to -5 mA.

Note 3: This is a leakage current. Max leakage current is present at max modulation current (i.e. at 70 mA modulation current). The leakage current decreases for smaller modulation currents.

AC Characteristics

T_{CASE} = -40 °C to 85 °C, appropriate heat sinking may be required.

Symbol:	Characteristic:	Conditions:	MIN.:	TYP.:	MAX.:	UNIT:
$f_{MAX\ OUT}$	Data Output Frequency		2500			Mbit/s
$J_{PP\ OUT}$	Added Output Jitter	Note 1			20	ps
$t_{RISE\ OUT}$	Output Rise Time	Note 1			100	ps
$t_{FALL\ OUT}$	Output Fall Time	Note 1			100	ps
t_{PM}	Phase Margin Clock to Data		300			ps
t_S	Data Set-up Time		60	30		ps
t_H	Data Hold Time		20	5		ps
Δ_{CROSS_OVER}	Output Cross Over Control Range	Note 1	± 30			%

Note 1: $R_{LOAD} = 25\ \Omega$ to VDD connected to pin IOUT. $I_{LD} = 70\ mA$. Rise/Fall times at 20 – 80 % of HI/LO voltage levels.

Package Outline

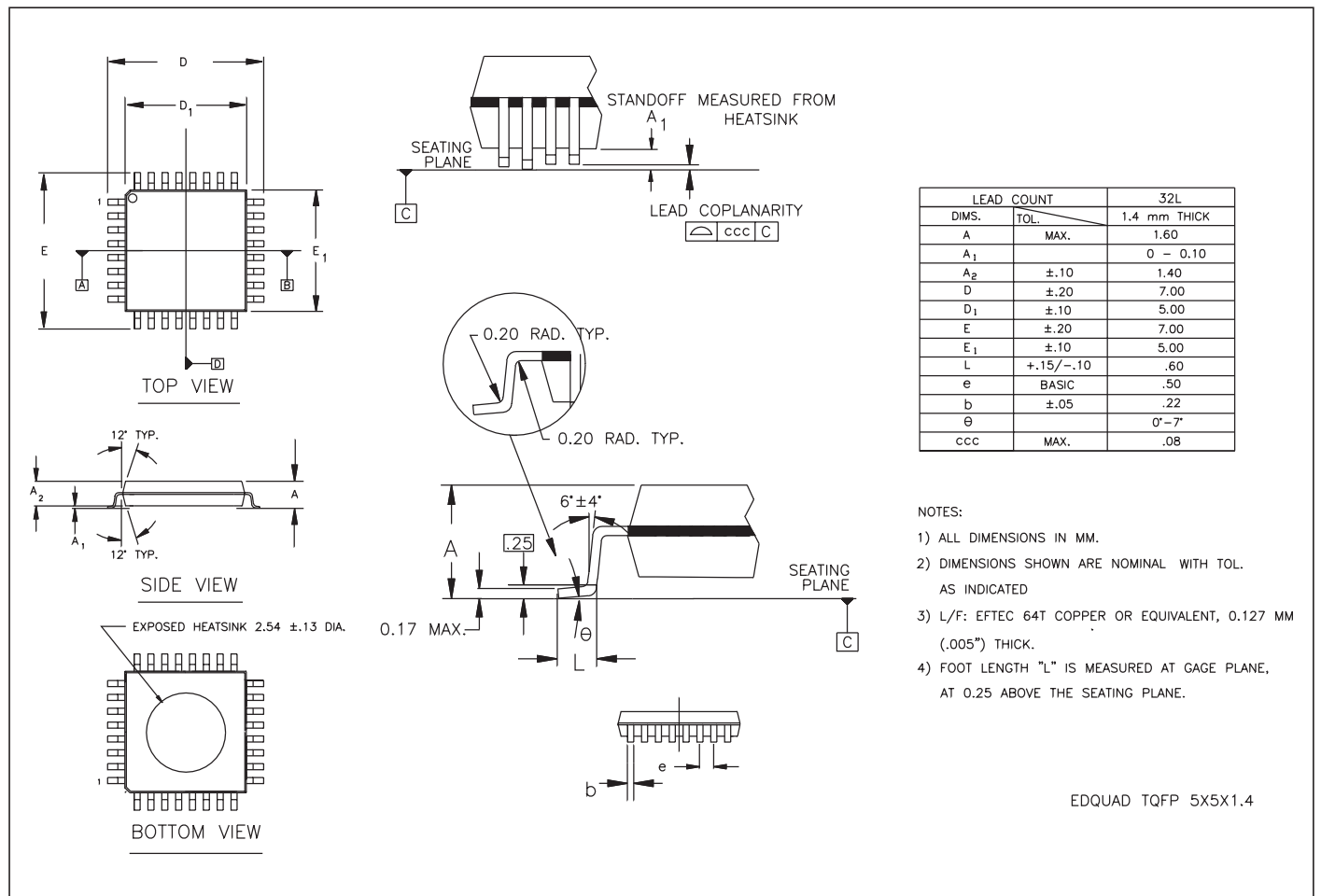


Figure 4. Package 32 pin. All dimensions are in mm.

Device Marking



<1> = Wafer ID
<2> = Design ID
<3> = Wafer Lot#
<4> = Assembly Lot#

Figure 5. Device Marking, Top View.

Ordering Information

To order, please specify as shown below:

Product Name:	Intel Order Number:	Package Type:	Temperature Range:
GD16571-32BA	FAGD1657132BA MM#: 836125	32L TQFP EDQUAD	-40..85 °C



an Intel company

Mileparken 22, DK-2740 Skovlunde
Denmark

Phone : +45 7010 1062

Fax : +45 7010 1063

E-mail : sales@giga.dk

Web site : <http://www.intel.com/ixa>

Please check our Internet web site
for latest version of this data sheet.

GD16571, Data Sheet Rev.: 10 - Date: 24 July 2001

The information herein is assumed to be reliable. GIGA assumes no responsibility for the use of this information, and all such information shall be at the users own risk. Prices and specifications are subject to change without notice. No patent rights or licenses to any of the circuits described herein are implied or granted to any third party. GIGA does not authorise or warrant any GIGA Product for use in life support devices and/or systems.

Distributor:

Copyright © 2001 GIGA ApS
An Intel company
All rights reserved