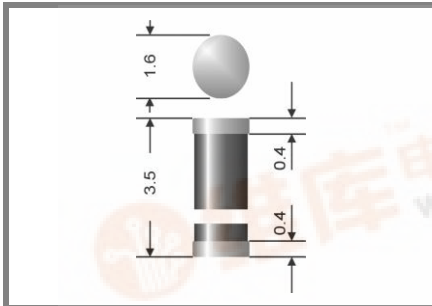


GL 1A...GL 1M



Surface mount diode

Standard silicon rectifier diodes

GL 1A...GL 1M

Forward Current: 1 A

Reverse Voltage: 50 to 1000 V

Features

- Max. solder temperature: 260°C
- Plastic material has UL classification 94V-0
- white ring denotes " cathode " and " standard rectifier family "
- colored ring denotes " repetitive peak reverse voltage "

Mechanical Data

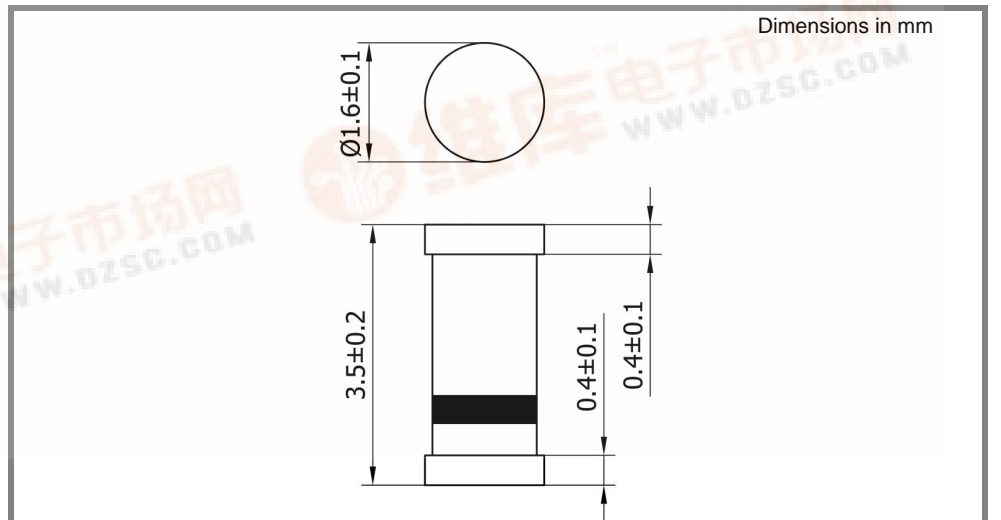
- Plastic case MiniMelf / SOD-80 / DO-213AA
- Weight approx.: 0,04 g
- Terminals: plated terminals solderable per MIL-STD-750
- Mounting position: any
- Standard packaging: 10000,2500 pieces per reel

- 1) Max. temperature of the terminals $T_T = 75$ °C
- 2) $I_F = 1$ A, $T_j = 25$ °C
- 3) $T_A = 25$ °C
- 4) Mounted on P.C. board with 25 mm² copper pads at each terminal

Type	Polarity color band	Repetitive peak reverse voltage V_{RRM} V	Surge peak reverse voltage V_{RSM} V	Maximum forward voltage $T_j = 25$ °C $I_F = 1,0$ A $V_F^{2)}$ V	Maximum reverse recovery time $I_F = 0,5$ A $I_R = 1$ A $I_{RR} = 0,25$ A t_{rr} ns
GL 1A	gray	50	50	1,2	1500
GL 1B	red	100	100	1,2	1500
GL 1D	orange	200	200	1,2	1500
GL 1G	yellow	400	400	1,2	1500
GL 1J	green	600	600	1,3	1500
GL 1K	blue	800	800	1,3	1500
GL 1M	violet	1000	1000	1,3	1500

Absolute Maximum Ratings		$T_c = 25$ °C, unless otherwise specified	
Symbol	Conditions	Values	Units
I_{FAV}	Max. averaged fwd. current, R-load, $T_T = 75$ °C ¹⁾	1	A
I_{FRM}	Repetitive peak forward current $f > \text{Hz}$	-	A
I_{FSM}	Peak fwd. surge current 50 Hz half sinus-wave ³⁾	24,9	A
I^2t	Rating for fusing, $t < 10$ ms ³⁾	4,5	A ² s
R_{thA}	Max. thermal resistance junction to ambient ⁴⁾	150	K/W
R_{thT}	Max. thermal resistance junction to terminals	60	K/W
T_j	Operating junction temperature	- 50 ... + 175	°C
T_s	Storage temperature	- 50 ... + 175	°C

Characteristics		$T_c = 25$ °C, unless otherwise specified	
Symbol	Conditions	Values	Units
I_R	Maximum leakage current, $T_j = 25$ °C; $V_R = V_{RRM}$ $T_j = 125$ °C; $V_R = V_{RRM}$	<5 <50	μ A μ A
C_j	Typical junction capacitance (at MHz and applied reverse voltage of V)	-	pF
Q_{rr}	Reverse recovery charge ($U_R = V$; $I_F = A$; $di_F/dt = A/ms$)	-	μ C
E_{RSM}	Non repetitive peak reverse avalanche energy ($I_R = mA$; $T_j =$ °C; inductive load switched off)	-	mJ



case: MiniMelf / DO-213AA

GL 1A...GL 1M

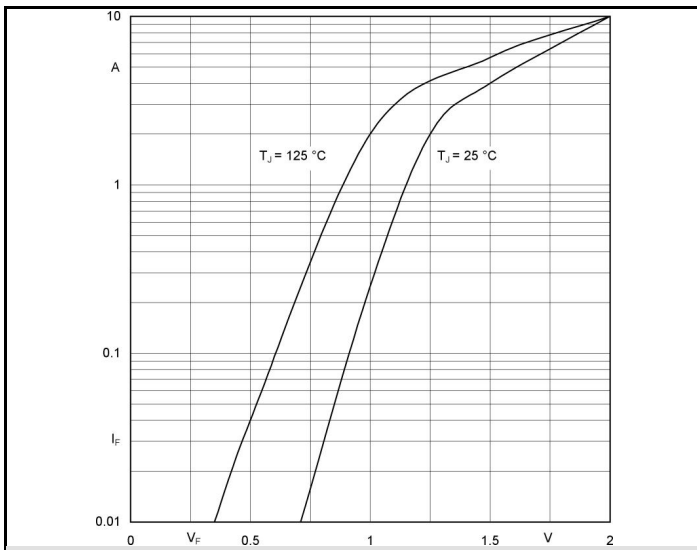


Fig. 1 Forward characteristic (typical values)

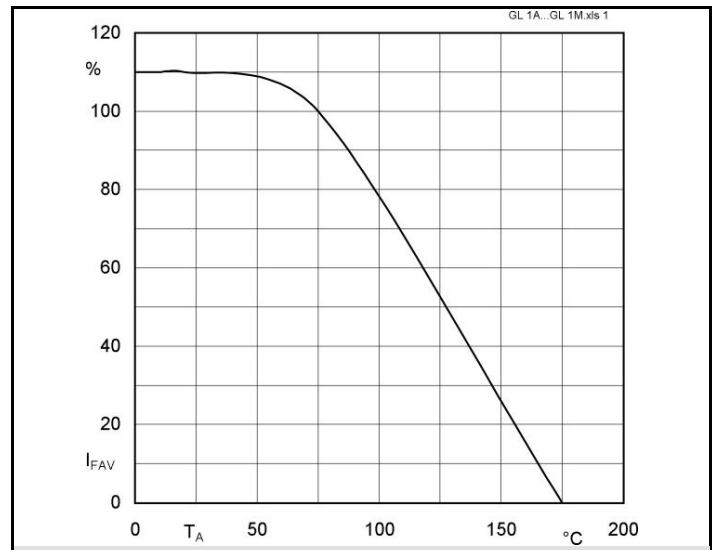


Fig. 2 Rated forward current vs. temp. of the terminals ⁴⁾