

GL494 PWM CONTROL CIRCUIT

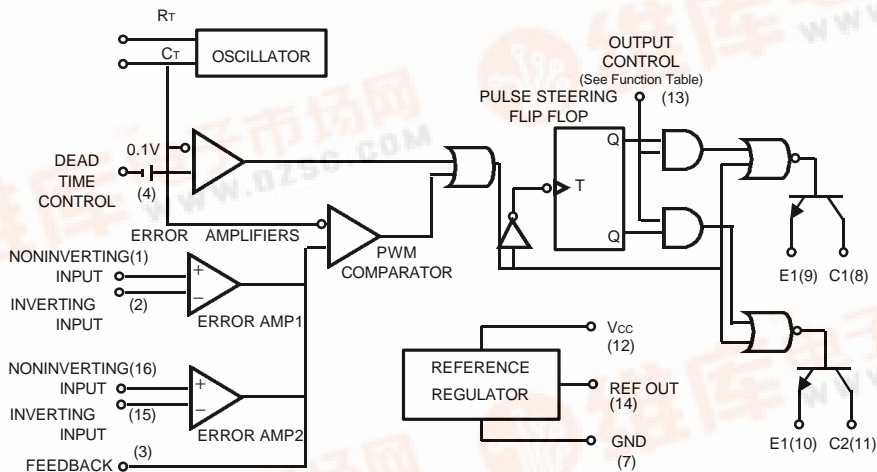
Description

The GL494 incorporates on a single monolithic chip all the functions required in the construction of a pulse-width-modulation control circuit. Designed primarily for power supply control, the GL494 contains an on-chip 5-volt regulator, two error amplifiers, adjustable oscillator, dead-time control comparator, pulse-steering flip-flop, and output-control circuitry. The uncommitted output transistors provide either common-emitter or emitter-follower output capability. Push-pull or single-ended output operation may be selected through the output-control function. The architecture of the GL494 prohibits the possibility of either output being pulsed twice during push-pull operation.

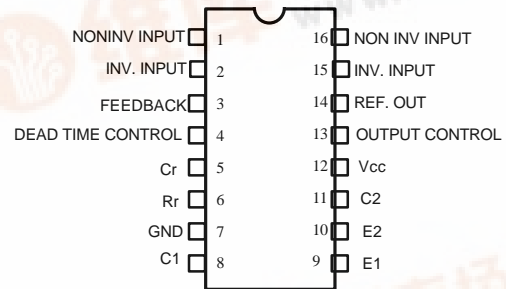
Features

- Complete PWM Power Control Circuitry
- Uncommitted Outputs for 200mA Sink or Source
- Output Control Selects Single-Ended or Push-Pull Operation
- Internal Circuitry Prohibits Double Pulse at Either Output
- Internal Regulator Provides a Stable 5V Reference Supply
- Variable Dead-Time Provides Control Over Total Range

Block Diagram



Pin Configuration



Function Table

Output Control	Output Function
Grounded	Single-ended or Parallel Output
At V_{ref}	Normal Push-Pull Operation



Absolute Maximum Ratings

Supply Voltage, V_{CC}	41	V
Amplifier Input Voltage	$V_{CC}+0.3$	V
Collector Output Voltage	41	V
Continuous Total dissipation at (or below) 25 °C	1000	mW
Operating Free-Air Temperature Range	-20 to 85	°C
Storage Temperature Range	-65 to 150	°C
Collector Output Current	250	mA

Recommended Operation Conditions

PARAMETER	MIN	MAX	UNIT
Supply Voltage, V_{CC}	7	40	V
Amplifier Input Voltage, V_i	-0.3	$V_{CC}-2$	V
Collector Output Voltage, V_o		40	V
Collector Output Current (Each Transistor)		200	mA
Current Into Feed back Terminal		0.3	mA
Timing Capacitor, C_T	0.47	10,000	nF
Timing Resistor, R_T	1.8	500	K Ω
Oscillator Frequency	1	300	KHz
Operating Free-Air Temperature	-20	85	°C

Electrical Characteristics (Temperature -20 ~ 85°C, $V_{CC}=15V$, $f=10KHz$)

Reference Section

PARAMETER	TEST CONDITIONS	MIN	TYP(1)	MAX	UNIT
Output voltage (V_{ref})	$I_O = 1mA$	4.75	5	5.25	V
Input regulation	$V_{CC} = 7V$ to 40V, $T_A = 25^\circ C$		2	25	mV
Output regulation	$I_O = 1$ to 10mA, $T_A = 25^\circ C$		1	15	mV
Output Voltage change with temperature	$T_A = -20^\circ C$ to 85°C		0.2	1	%
Short-circuit Output current(2)	$V_{ref} = 0$		35		mA

Oscillator Section

PARAMETER	TEST CONDITIONS	MIN	TYP(1)	MAX	UNIT
Frequency	$C_T = 0.01\mu F$, $R_T = 12k\Omega$		10		KHz
Standard deviation of frequency (3)	All values of V_{CC} , C_T, R_T, T_A Constant		10		%
Frequency change with Voltage	$V_{CC} = 7V$ to 40V, $T_A = 25^\circ C$		0.1		%
Frequency change with temperature	$C_T = 0.01\mu F$, $R_T = 12k\Omega$ $T_A = -20^\circ C$ to 85°C			2	%

Dead Time Control Section

PARAMETER	TEST CONDITIONS	MIN	TYP(1)	MAX	UNIT
Input bias current (pin 4)	$V_I=0$ to 5.25V		-2	-10	μA
Maximum duty cycle, Each output	$V_{I(\text{pin}4)}=0\text{V}$	45			%
Input threshold voltage (pin 4)	Zero duty cycle		3	3.3	V
	Maximum duty cycle	0			V

Error Amp Sections

PARAMETER	TEST CONDITIONS	MIN	TYP(1)	MAX	UNIT
Input offset voltage	$V_{O(\text{PIN}3)} = 2.5\text{V}$		2	10	mV
Input offset current	$V_{O(\text{PIN}3)} = 2.5\text{V}$		25	250	nA
Input bias current	$V_{O(\text{PIN}3)} = 2.5\text{V}$		0.2	1	μA
Common-mode input voltage range	$V_{CC} = 7\text{V}$ to 40V	LOW	-0.3		V
		HIGH	$V_{CC}-2$		
Open-loop voltage Amplification	$\Delta V_O = 3\text{V}$, $V_O = 0.5$ to 3.5V	70	95		dB
Unity-gain bandwidth			800		KHz
Common-mode rejection ratio	$V_{CC} = 40\text{V}$, $T_A = 25^\circ\text{C}$	65	80		dB
Output sink current (pin 3)	$V_{ID} = -15\text{mV}$ to -5V , $V_{O(\text{pin}3)} = 0.7\text{V}$	0.3	0.7		mA
Output source current (pin 3)	$V_{ID} = 15\text{mV}$ to 5V, $V_{O(\text{pin}3)} = 3.5\text{V}$	-2			mA

PWM Comparaor Section

PARAMETER	TEST CONDITIONS	MIN	TYP(1)	MAX	UNIT
Input threshold voltage (pin 3)	Zero duty cycle		4	4.5	V
Input sink current (pin 3)	$V_{O(\text{pin}3)} = 0.7\text{V}$	0.3	0.7		mA

Switching Characteristics

PARAMETER	TEST CONDITIONS	MIN	TYP(1)	MAX	UNIT
Output Voltage rise time	Common-emitter configuration, See Test Circuit 3		100	200	ns
Output Voltage fall time				25	100
Output Voltage rise time	Emitter-follower configuration, See Test Circuit 4		100	200	ns
Output Voltage fall time				40	100

Output Section

PARAMETER		TEST CONDITIONS	MIN	TYP(1)	MAX	UNIT
Collector off-state current		$V_{CE} = 40V, V_{CC} = 40V$		2	100	mA
Emitter off-state current		$V_{CC} = V_C = 40V, V_E = 0$			-100	mA
Collector-emitter Saturation voltage	Common-emitter	$V_E = 0, I_C = 200mA$		1.1	1.3	V
	Emitter-follower	$V_C = 15V, I_E = -200mA$		1.5	2.5	
Output control input current		$V_I = V_{ref}$			3.5	mA

Total Device

PARAMETER		TEST CONDITIONS	MIN	TYP(1)	MAX	UNIT
Standby supply current	All other inputs & Outputs open	$V_{CC} = 15V$		6	10	mA
		$V_{CC} = 40V$		9	15	mA
Average supply current		$V_{(pin4)} = 2V$ See Test circuit 1		7.5		mA

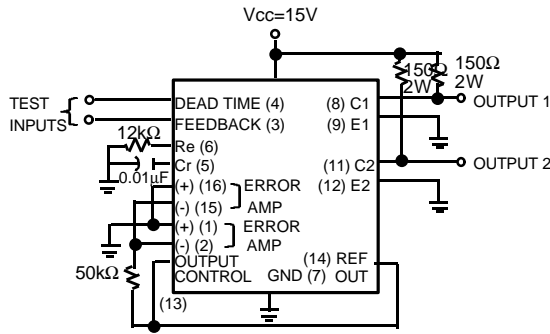
Notes:

- (1) All typical values except for temperature coefficients are at $T_A = 25^\circ C$
- (2) Duration of the short circuit should not exceed one second.
- (3) Standard deviation is a measure of the statistical distribution about the mean as derived from the formula

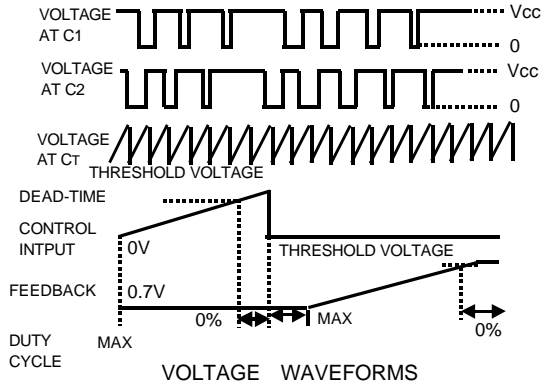
$$\sigma = \sqrt{\frac{\sum_{n=1}^N (X_n - \bar{X})^2}{N - 1}}$$

Parameter Measurement Information

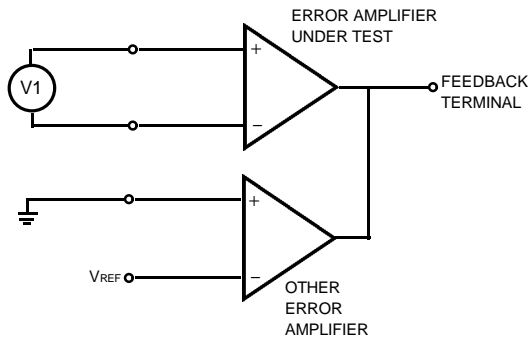
1. Dead time and Feedback Control



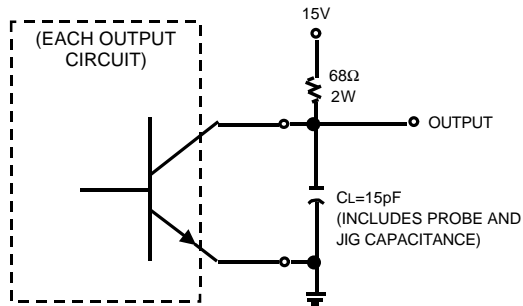
TEST CIRCUIT



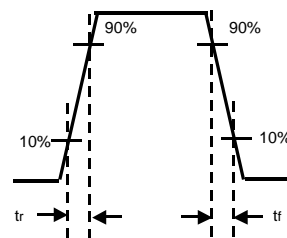
2. Error Amplifier Characteristics



3. Common-Emitter Configuration

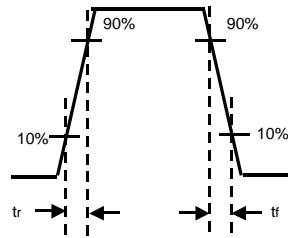
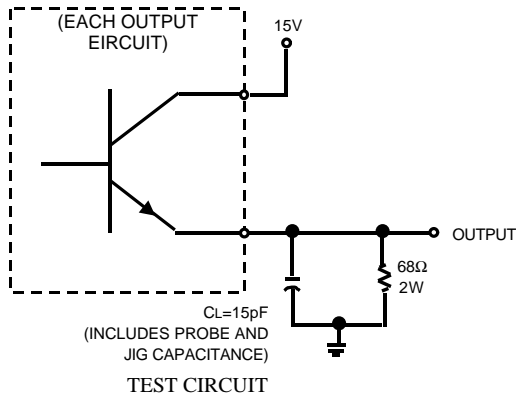


TEST CIRCUIT



OUTPUT VOLTAGE WAVEFORM

4. Emitter-Follower Configuration



OUTPUT VOLTAGE WAVEFORM

Typical Performance Curves

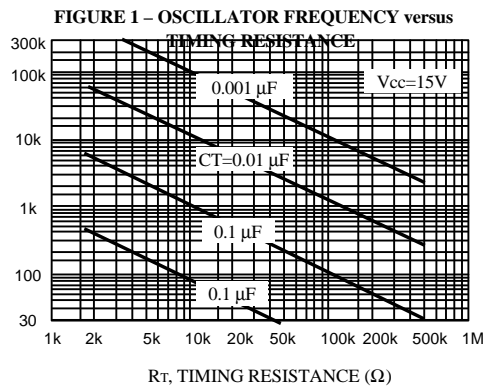


FIGURE 1 – OSCILLATOR FREQUENCY versus TIMING RESISTANCE

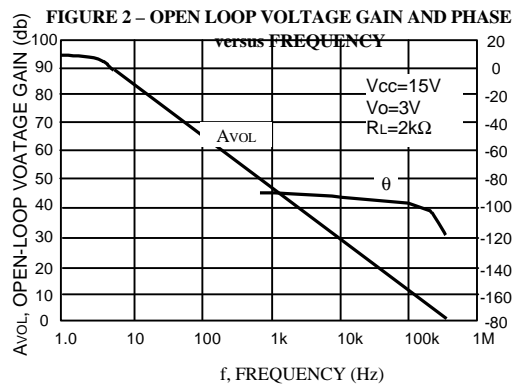


FIGURE 2 – OPEN LOOP VOLTAGE GAIN AND PHASE versus FREQUENCY

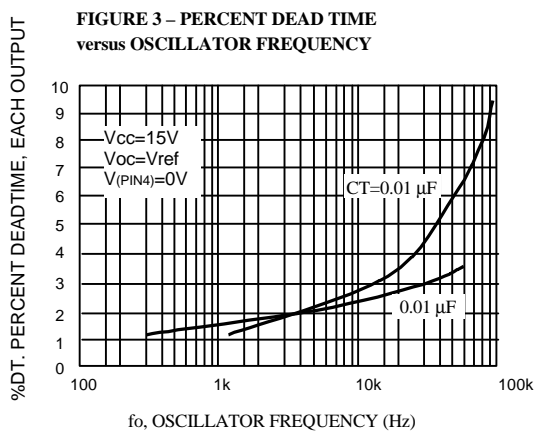


FIGURE 3 – PERCENT DEAD TIME versus OSCILLATOR FREQUENCY

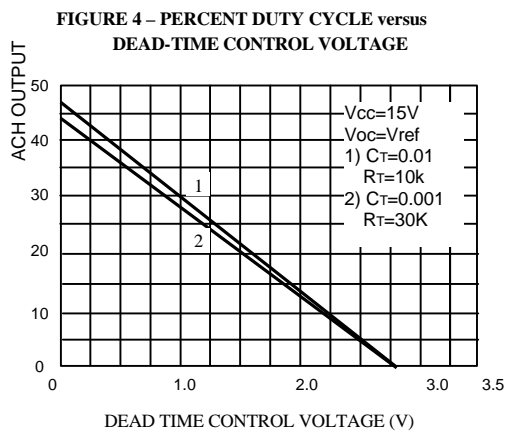
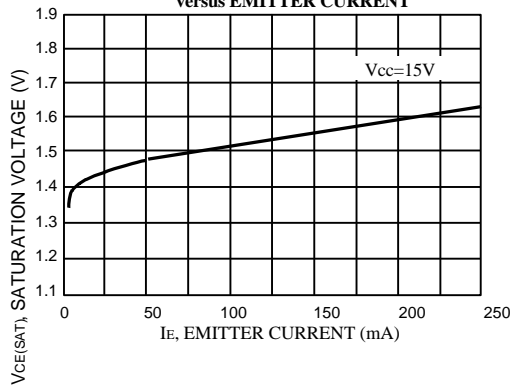
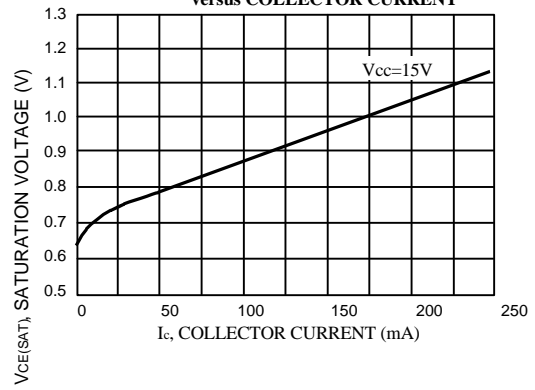


FIGURE 4 – PERCENT DUTY CYCLE versus DEAD-TIME CONTROL VOLTAGE

**FIGURE 5 – EMITTER-FOLLOWER CONFIGURATION
OUTPUT-SATURATION VOLTAGE
versus EMITTER CURRENT**



**FIGURE 6 – COMMON-EMITTER CONFIGURATION
OUTPUT-SATURATION VOLTAGE
versus COLLECTOR CURRENT**



**FIGURE 7 – STANDBY-SUPPLY CURRENT
versus SUPPLY VOLTAGE**

