



Genesys Logic, Inc.

GL811USB - USB 2.0 to ATA / ATAPI Bridge Controller

Specification 1.3

May 10, 2002

Genesys Logic, Inc.

10F, No.11, Ln.155, Sec.3, Peishen Rd., Shenkeng, Taipei, Taiwan

Tel: 886-2-2664-6655 Fax: 886-2-2664-5757

<http://www.genesyslogic.com>



Contents

1. General Description	2
2. Features	3
3. Function Block	4
3.1 <i>Block Diagram</i>	4
3.2 <i>Functional Overview</i>	5
4. Pinning Information	7
4.1 <i>Pin Assignment</i>	7
4.2 <i>Pin Description</i>	8
5. Functional Description	10
5.1 <i>ATA/ATAPI</i>	10
5.2 <i>USB 2.0</i>	10
6. Electrical Characteristics	11
6.1 <i>Absolute Maximum Ratings</i>	11
6.2 <i>Temperature Conditions</i>	11
6.3 <i>DC Characteristics</i>	11
6.4 <i>AC Characteristics- ATA/ATAPI</i>	13
6.5 <i>AC Characteristics- USB 2.0</i>	33
7. Package Dimension	34
8. Revision History	35

1. General Description

The GL811USB is a highly-compatible, low cost USB 2.0 to ATA / ATAPI bridge controller, which integrates Genesys Logic own design high speed UTMI (USB 2.0 Transceiver Macrocell Interface) transceiver.

As a one-chip solution which complies with Universal Serial Bus specification rev. 2.0 and ATA / ATAPI-6 specification rev 1.0, the GL811USB can support various kinds of ATA / ATAPI device. There are totally 4 endpoints in the GL811USB controller, Control (0), Bulk In (1), Bulk Out (2), and Interrupt (3). By complies with the USB Storage Class specification ver.1.0 (Bulk only protocol), the GL811USB can support not only plug and play but also Windows XP/ 2000/ ME default driver.

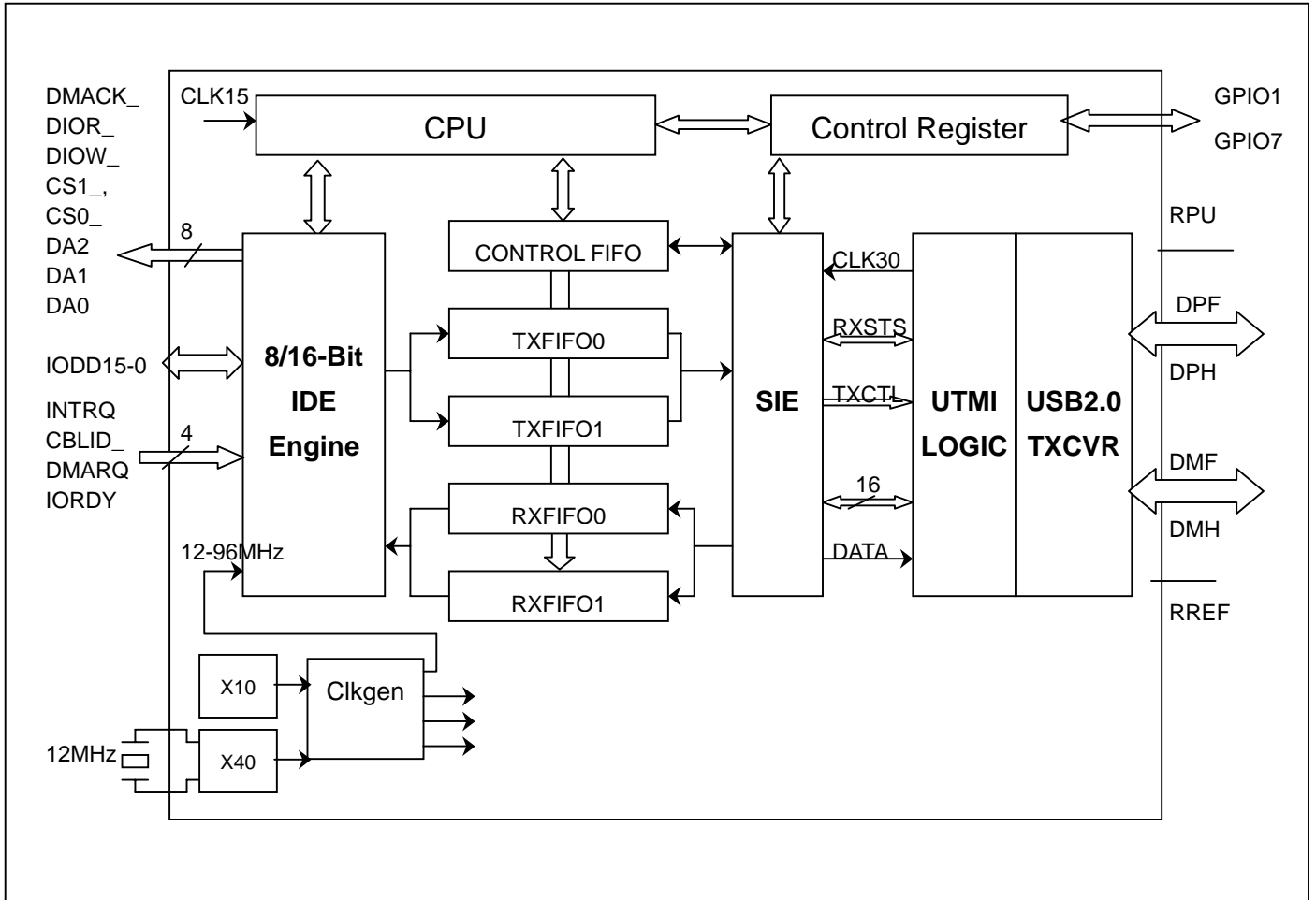
The GL811USB uses 12MHz crystal and slew-rate controlled pads to reduce the EMI issue. With 48-pin LQFP (9mmX9mm) package, the GL811USB is the best cost/ performance solution to fit different situations in the USB 2.0 high speed storage class applications such as Hard Disk, CD-ROM, CD-R / RW and DVD-ROM.

2. Features

- Complies with Universal Serial Bus specification rev. 2.0.
- Complies with ATA/ATAPI-6 specification rev 1.0.
- Complies with USB Storage Class specification ver.1.0. (Bulk only protocol)
- Operating system supported: Win XP/ 2000/ ME/ 98/ 98SE; Mac OS 9.X/ X.
- Supports 4 endpoints: Control (0) / Bulk Read (1) / Bulk Write (2) / Interrupt (3).
- 64 / 512 bytes Data Payload for full / high speed Bulk Endpoint.
- Supports 8-bit/16-bit Standard PIO mode interface.
- Supports 16-bit Multiword DMA mode and Ultra DMA mode interface (Ultra 33 / 66 / 100).
- Embedded USB 2.0 UTMI transceiver.
- Embedded 7.5 MIPS RISC CPU.
- ROM size: 4k words; RAM size: 128 bytes.
- Supports Power Down mode and USB suspend indicator.
- Supports USB 2.0 TEST mode features.
- 12MHz external clock to provide better EMI/3.3V power input.
- 5V tolerance pad for IDE interface.
- Supports Wakeup ability.
- Available in 48-pin LQFP (9 mm * 9mm) package.

3. Function Block

3.1 Block Diagram



3.2 Functional Overview

3.2.1 USB 2.0 TXCVR

The USB 2.0 Transceiver is the analog circuitry to handle the USB HS/FS signaling.

3.2.2 UTMI (USB 2.0 Transceiver Macrocell Interface) Logic

The UTMI Logic is compliant to Intel's UTMI specification 1.01. This block handles the low level USB protocol and signaling. The major jobs of UTMI Logic is data and clock recovery, NRZI encoding/decoding, Bit Stuffing/De-stuffing, USB2.0 test modes supporting and serial / parallel conversion.

3.2.3 SIE (Serial Interface Engine)

The SIE contains the USB packet ID and address recognition logic, and other sequencing and state machine logic to handle USB packets and transactions.

3.2.4 PLL

10XPLL provides the 120MHz clock output for UTMI Logic block. UTMI operates in 120MHz for USB HS data processing. 40XPLL block will provide 480MHz for USB HS data transmission.

3.2.5 CLKGEN

CLKGEN is the clock generator block for the logic blocks. It generates 15MHz clock for micro controller, 12MHz for PIO mode, 48MHz for MDMA mode, 96MHz for UDMA mode, and 30MHz clock for UTMI, SIE, and FIFO.

3.2.6 CPU

The CPU is the control center of GL811USB. It's an 8-bit micro controller operating in 15MHz, 7.5 MIPS. After receiving a USB command, it decodes the host command, then it re-assigns tasks to the IDE engine, GPIO, FIFO, and response proper data/status to USB host.

3.2.7 IDE Engine

The IDE engine is extended from standard ATA / ATAPI protocol. It supports PIO mode, multiword DMA mode, and ultra DMA mode data transfers.

3.2.8 FIFOs

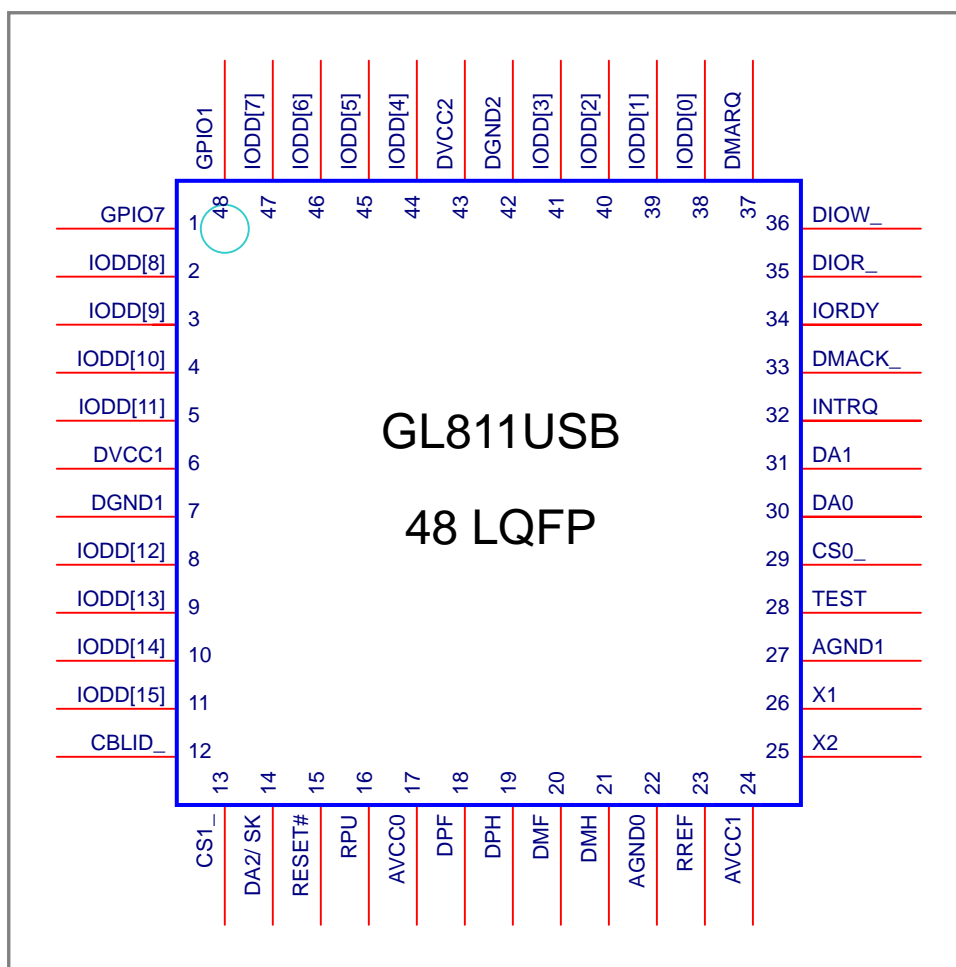
Control FIFO is used as Control Read / Write FIFO. *TXFIFO0 / TXFIFO1* are two sets of 512-byte ping-pong FIFO for Bulk Read endpoint. It buffers data from IDE engine, and re-direct to USB SIE logic. *RXFIFO0 / RXFIFO1* are two sets of 512-byte ping-pong FIFO for Bulk Write endpoint. It buffers data from USB SIE logic, and re-direct to IDE engine.

3.2.9 Control Registers

Control Register configures GL811USB to proper operation. For example, CPU can set register to generate wakeup event, enter suspend, transmits proper USB packet to host.

4. Pinning Information

4.1 Pin Assignment



4.2 Pin Description

Pin #	Name	I/O	Pad Type	Description	Note
1	GPIO7	B	I/O 8(*)	GPIO7 (**)	tri
2~5	IODD [8:11]	B	I/O 16(*)	IDE data bus 8~11	tri
6	DVCC1	P	Power	Digital VCC	
7	DGND1	P	Power	Digital ground	
8~11	IODD [12:15]	B	I/O 16	IDE data bus 12~15	tri
12	CBLID_	I	I/O 8	Cable select input	tri
13	CS1_	O	I/O 16	Chip select 1	tri
14	DA2	O	I/O 16	IDE address 2	tri
15	RESET#	I	I/O 8	Reset pin (***)	pu
16	RPU	A	U20mia	3.3v output	
17	AVCC0	P	Power	Analog VCC	
18	DPF	B	U20mia	Full speed DP	
19	DPH	B	U20mia	High speed DP	
20	DMF	B	U20mia	Full speed DM	
21	DMH	B	U20mia	High speed DM	
22	AGND0	P	Power	Analog ground	
23	RREF	A	U20mia	Reference resistor connect (****)	
24	AVCC1	P	Power	Analog VCC	
25	X2	B	Clock	Crystal output	
26	X1	I	Clock	Crystal input, 12Mhz	
27	AGND1	P	Power	Analog ground	
28	TEST	I	I/O 8	TEST mode input	pd
29	CS0_	O	I/O 16	Chip select 0	tri
30	DA0	O	I/O 16	IDE address 0	tri
31	DA1	O	I/O 16	IDE address 1	tri
32	INTRQ	I	I/O 8	IDE interrupt input	tri
33	DMACK_	O	I/O 16	IDE acknowledge	tri
34	IORDY	I	I/O 16	IDE ready	pu
35	DIOR_	O	I/O 16	IDE read signal	tri
36	DIOW_	O	I/O 16	IDE write signal	tri
37	DMARQ	I	I/O 8	IDE request	pd

Pin #	Name	I/O	Pad Type	Description	Note
38~41	IODD[0:3]	B	I/O 16	IDE data bus 0~3	tri
42	DGND2	P	Power	Digital ground	
43	DVCC2	P	Power	Digital VCC	
44~47	IODD[4:7]	B	I/O 16	IDE data bus 4~7	tri
48	GPIO1	B	I/O 8	GPIO1	pd

(*) The different of I/O 8 type from I/O 16 type is the typical drive current. The typical drive current of I/O 8 type is 8 mA, and for I/O pad 16 is 16 mA.

(**) When operating in default mode: GPIO7 is the ATA/ ATAPI reset input,

(***) When Reset pin is pulled low, the IDE bus will be in tri-state.

(****) RREF must be connected with a 510 ohm resistor to ground.

Notation:

Description	O	Output
	I	Input
	B	Bi-directional
	P	Power
	A	Analog

Note	pu	Internal pull up
	pd	Internal pull down
	tri	Tri-state

5. Functional Description

5.1 ATA/ ATAPI

The GL811USB complies with ATA/ATAPI-6 specification rev. 1.0. Please refer to the specifications for more information.

5.2 USB 2.0

The GL811USB complies with Universal Serial Bus specification rev. 2.0, and it integrates Genesys Logic own design UTMI transceiver that fully complies with the USB 2.0 Transceiver Macercell Interface (UTMI) specification rev. 1.01. Please refer to the specifications for more information.

6. Electrical Characteristics

6.1 Absolute Maximum Ratings

Symbol	Description	Min	Max	Unit
V_{CC}	DC supply voltage	+3.0	+3.6	V
V_I	DC input voltage	-0.3	$V_{CC} + 0.3$	V
$V_{I/O}$	DC input voltage range for I/O	-0.3	$V_{CC} + 0.3$	V
$V_{A/I/O}$	DC input voltage for USB D+/D- pins	-0.3	$V_{CC} + 0.3$	V
V_{ESD}	Static discharge voltage	4000		V
T_A	Ambient Temperature	0	100	°C

6.2 Temperature Conditions

Item	Value
Storage Temperature	-50°C ~ 150°C
Operating Temperature	0°C ~ 70°C

6.3 DC Characteristics

6.3.1 I/O 8 Type digital pins (For pad type I/O 8 @ $V_{CC}=3.6V$)

Parameter	Min	Typ	Max	Unit
Current sink @ $V_{OL} = 0.4V$	7.79	10.83	14.09	mA
Current output @ $V_{OH} = 2.4V$ (TTL high)	16.36	19.87	23.39	mA
Falling slew rate at 30 pF loading capacitance	0.26	0.50	0.80	V/ns
Rising slew rate at 30 pF loading capacitance	0.30	0.57	0.91	V/ns
Input high threshold voltage			1.64	V
Input low threshold voltage	1.36			V

Parameter	Min	Typ	Max	Unit
Hysteresis voltage	-	0	-	V
Leakage current for pads with internal pull up or pull down resistor			46	μ A
Pad internal pull down resistor	51K	105K	152K	Ohms
Pad internal pull up resistor	85K	168K	251K	Ohms
Supply current			109	mA

6.3.2 I/O 16 Type digital pins (For pad type I/O 16 @ $V_{CC}=3.6V$)

Parameter	Min	Typ	Max	Unit
Current sink @ $V_{OL} = 0.4V$	16.20	21.90	27.68	mA
Current output @ $V_{OH} = 2.4V$ (TTL high)	24.13	29.46	34.80	mA
Falling slew rate at 30 pF loading capacitance	0.51	0.93	1.35	V/ns
Rising slew rate at 30 pF loading capacitance	0.46	0.83	1.27	V/ns
Input high threshold voltage			2.15	V
Input low threshold voltage	0.89			V
Pad internal pull down resistor	51K	105K	152K	Ohms

6.3.3 D+/ D- (For pad type u20mia @ $V_{CC}=3.6V$)

Parameter	Min	Typ	Max	Unit
D+/D- static output LOW (R_L of 1.5K to V_{CC})	0		0.3	V
D+/D- static output HIGH (R_L of 15K to GND)	2.8		3.6	V
Differential input sensitivity	0.2			V
Single-ended receiver threshold	0.8		2.0	V
Transceiver capacitance			20	pF
Hi-Z state data line leakage	-10		+10	μ A
Driver output resistance	28		43	Ohms

6.3.4 Switching Characteristics

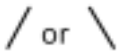
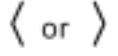





Parameter	Min	Typ	Max	Unit
X1 crystal frequency	11.97	12	12.03	MHz
X1 cycle time		83.3		ns
D+/D- rise time with 50pF loading	4		20	ns
D+/D- fall time with 50pF loading	4		20	ns

6.4 AC Characteristics- ATA/ ATAPI

The GL811USB complies with ATA / ATAPI-6 specification rev 1.0, which supports following data transfer modes:

1. PIO (Programmed Input/ Output) data transfer:
PIO data transfers are performed by the host processor utilizing PIO register accesses to the Data register.
2. DMA (Direct Memory Access) data transfer:
DMA data transfer means of data transfer between device and host memory without host processor intervention.
 - Multiword DMA: Multiword DMA is a data transfer protocol used with the READ DMA, WRITE DMA, READ DMA QUEUED, WRITE DMA QUEUED and PACKET commands. When a Multiword DMA transfer is enabled as indicated by IDENTIFY DEVICE or IDENTIFY PACKET DEVICE data, this data transfer protocol shall be used for the data transfers associated with these commands. (Please refer to the ATA / ATAPI-6 specification rev 1.0 for more information.)
 - Ultra DMA: Ultra DMA is a data transfer protocol used with the READ DMA, WRITE DMA, READ DMA QUEUED, WRITE DMA QUEUED and PACKET commands. When this protocol is enabled, the Ultra DMA protocol shall be used instead of the Multiword DMA protocol when these commands are issued by the host. This protocol applies to the Ultra DMA data burst only. (Please refer to the ATA / ATAPI-6 specification rev 1.0 for more information.)

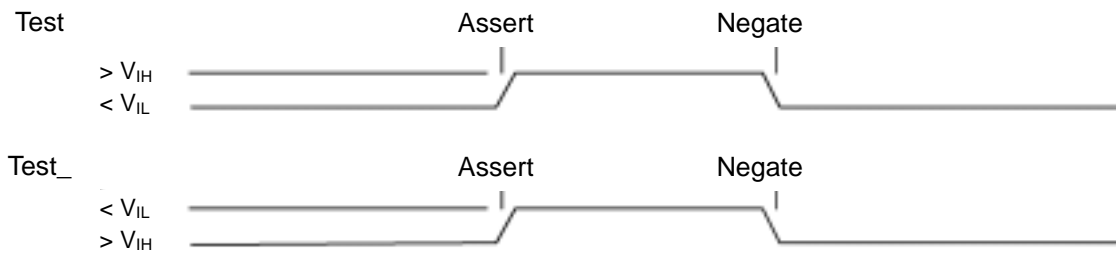
Following listed the symbols and their respective definitions that are used in the timing diagram:

-  - Signal transition (asserted or negated)
-  - Data transition (asserted or negated)
-  - Data valid
-  - Undefined but not necessarily released
-  - Asserted, negated or released
-  - Released
-  - The “other” condition if a signal is shown with no change

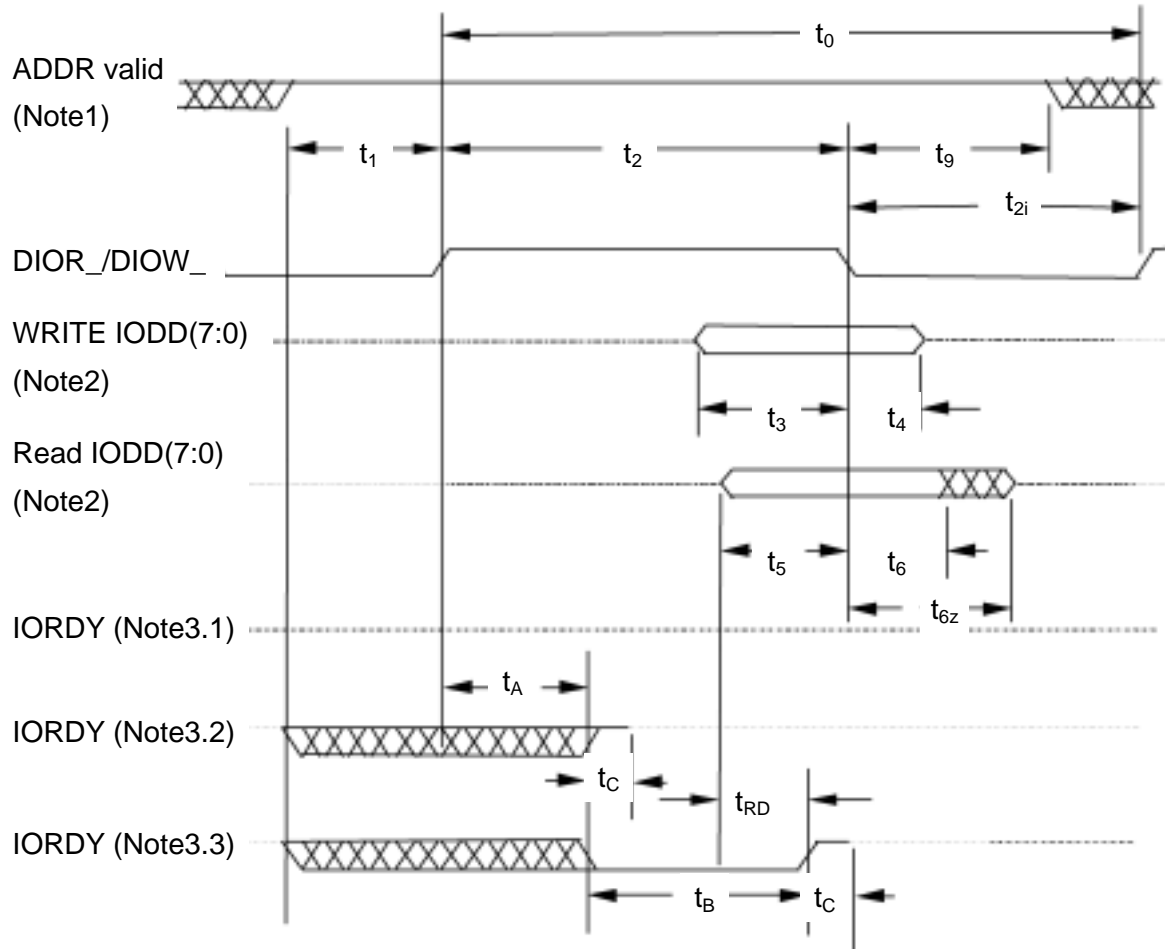
All signals are shown with the asserted condition facing to the top of the page. The negated condition is shown towards the bottom of the page relative to the asserted condition.

The interface uses a mixture of negative and positive signals for control and data. The terms asserted and negated are used for consistency and are independent of electrical characteristics.

In all timing diagrams, the lower line indicates negated, and the upper line indicates asserted. The following illustrates the representation of a signal named Test going from negated to asserted and back to negated, based on the polarity of the signal.



6.4.1 Register transfers



Notes:

1. Device address consists of signals CS0_, CS1_ and DA(2:0).
2. Data consists of IO(7:0).
3. The negation of IORDY by the device is used to extend the register transfer cycle. The determination of whether the cycle is to be extended is made by the host after t_A from the assertion of DIOR_ or DIOW_. The assertion and negation of IORDY are described as following:

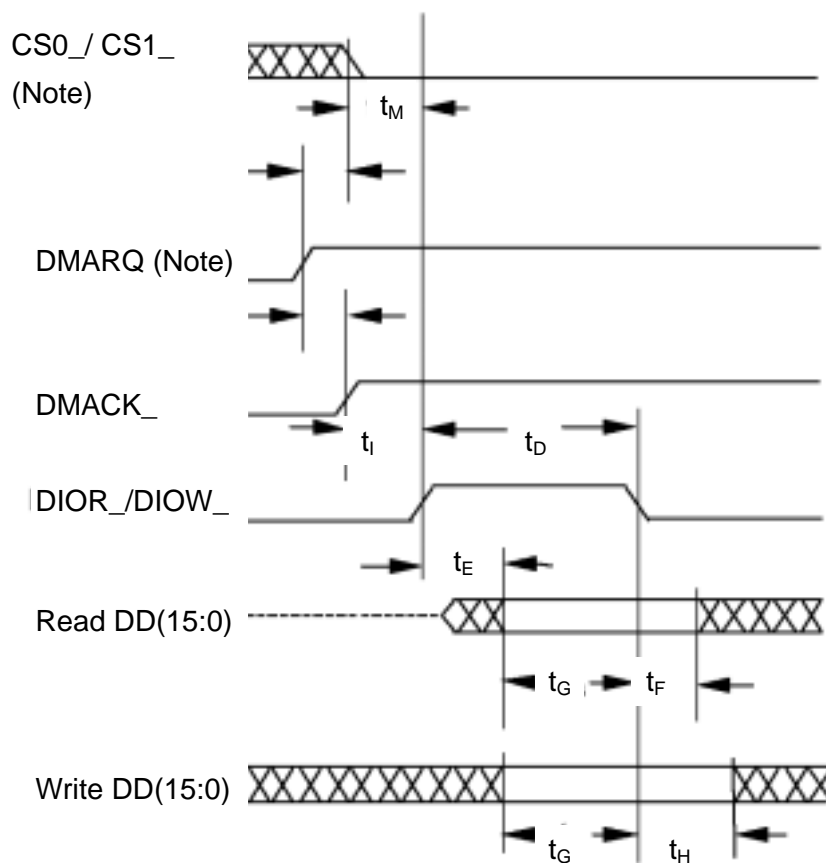
- 3.1 Device never negates IORDY, devices keeps IORDY released: no wait is generated.
 - 3.2 Device negates IORDY before t_A , but causes IORDY to be asserted before t_A . IORDY is released prior to negation and may be asserted for no more than 5 ns before release: no wait generated.
 - 3.3 Device negates IORDY before t_A , IORDY is released prior to negation and may be asserted for no more than 5 ns before release: wait generated. The cycle completes after IORDY is released. For cycles where a wait is generated and DIOR_ is asserted, the device shall read data on IODD(0:7) for t_{RD} before asserting IORDY.
4. DMACK_ shall remain negated during a register transfer.

Register transfer timing parameters		Timing (ns)
t_0	Cycle time	2000
t_1	Address valid to DIOR_ / DIOW_ setup	1000
t_2	DIOR_ / DIOW_ pulse width 8-bit	300
t_{2i}	DIOR_ / DIOW_ recovery time	900
t_3	DIOW_ data setup	80
t_4	DIOW_ data hold	40
t_5	DIOR_ data setup	-
t_6	DIOR_ data hold	-
t_{6Z}	DIOR_ data tristate	-
t_9	DIOR_ / DIOW_ to address valid hold	900
t_{RD}	Read Data Valid to IORDY active (if IORDY initially low after t_A)	
t_A	IORDY Setup time	-
t_B	IORDY Pulse Width	-
t_C	IORDY assertion to release (max)	-

6.4.2 Multiword DMA data transfer

Multiword DMA timing parameters		Timing (ns)
t_0	Cycle time	120
t_D	DIOR_/ DIOW_ asserted pulse width	80
t_E	DIOR_ data access	-
t_F	DIOR_ data hold	-
t_G	DIOR_/ DIOW_ data setup	40
t_H	DIOW_ data hold	18
t_I	DMACK to DIOR_/ DIOW_ setup	18
t_J	DIOR_/ DIOW_ to DMACK hold	20
t_{KR}	DIOR_ negated pulse width	36
t_{KW}	DIOW_ negated pulse width	36
t_{LR}	DIOR_ to DMARQ delay	-
t_{LW}	DIOW_ to DMARQ delay	-
t_M	CS(1:0) (max) valid to DIOR_/ DIOW_	36
t_N	CS(1:0) hold	18
t_Z	DMACK_ to read data released	-

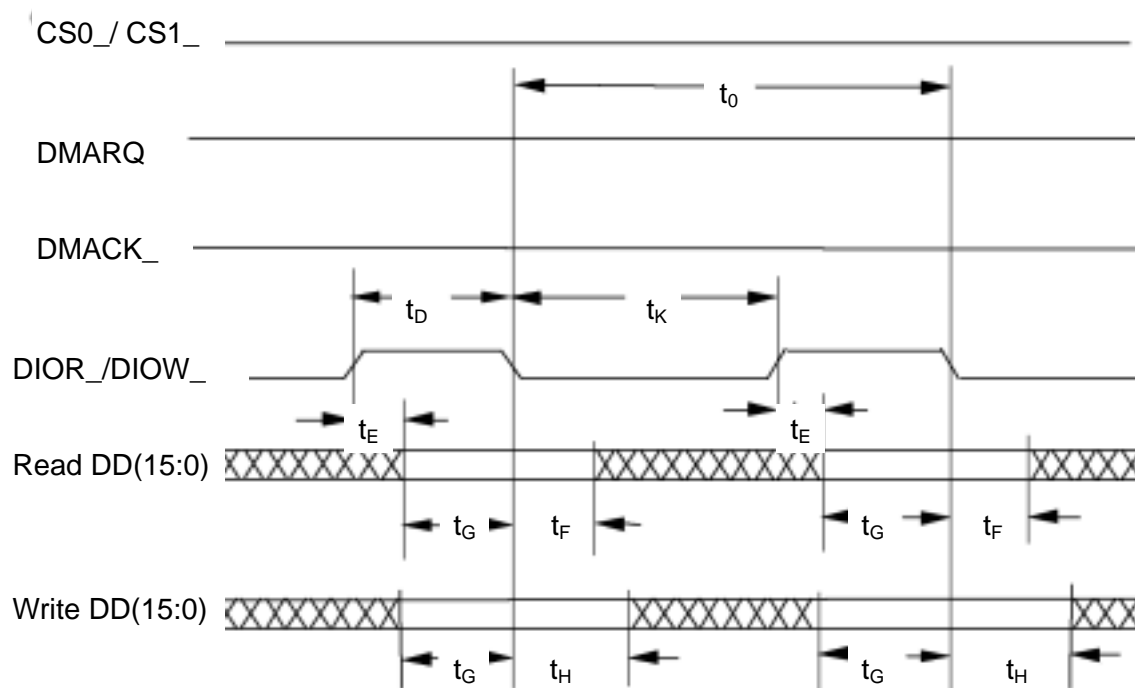
6.4.2.1 Initiating a Multiword DMA data burst



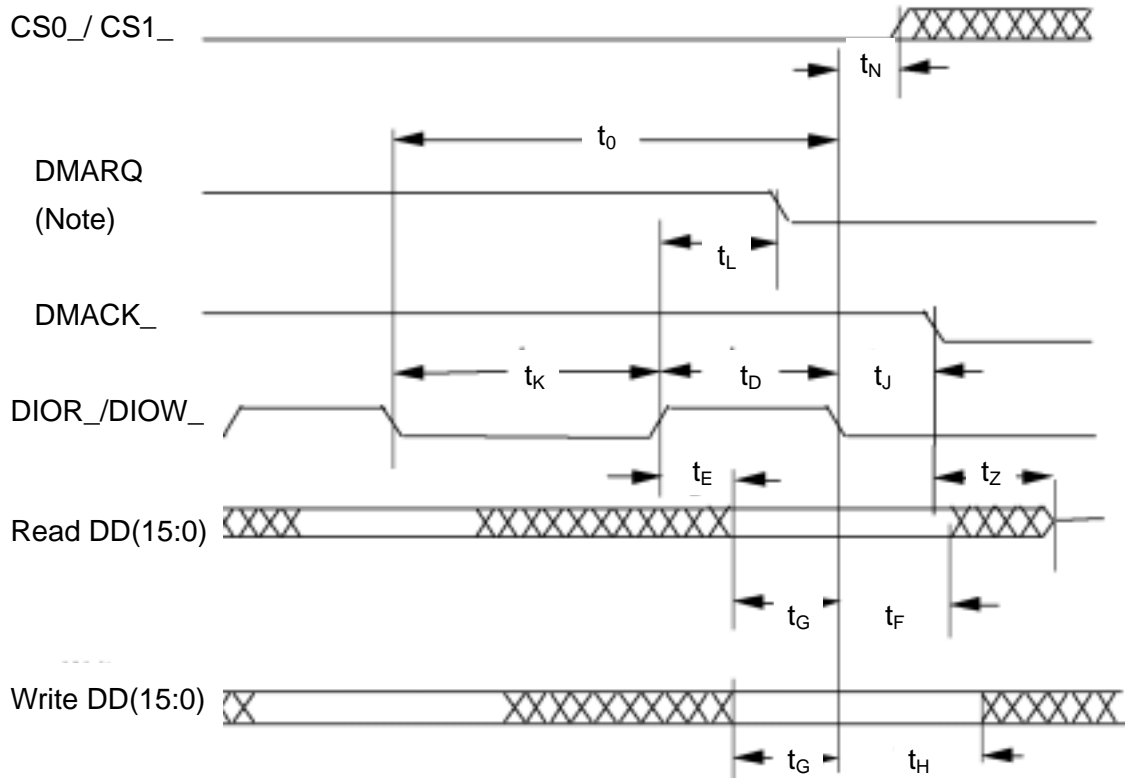
Note:

The host shall not assert DMACK_ or negate both CS0_ and CS1_ until the assertion of DMARQ is detected. The maximum time from the assertion of DMARQ to the assertion of DMACK_ or the negation of both CS0_ and CS1_ is not defined.

6.4.2.2 Sustaining a Multiword DMA data burst



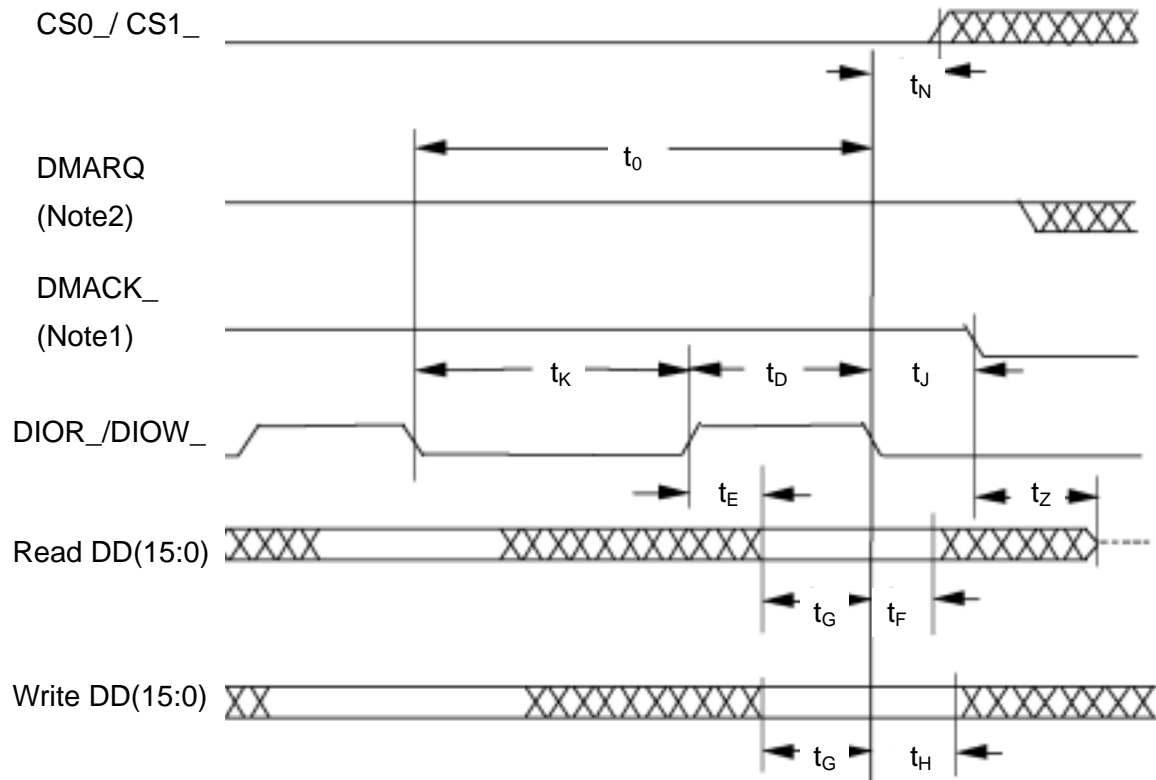
6.4.2.3 Device terminating a Multiword DMA data burst



Note:

To terminate the data burst, the Device shall negate DMARQ within the t_L of the assertion of the current DIOR_ or DIOW_ pulse. The last data word for the burst shall then be transferred by the negation of the current DIOR_ or DIOW_ pulse. If all data for the command has not been transferred, the device shall reassert DMARQ again at any later time to resume the DMA operation.

6.4.2.4 Host terminating a Multiword DMA data burst



Note:

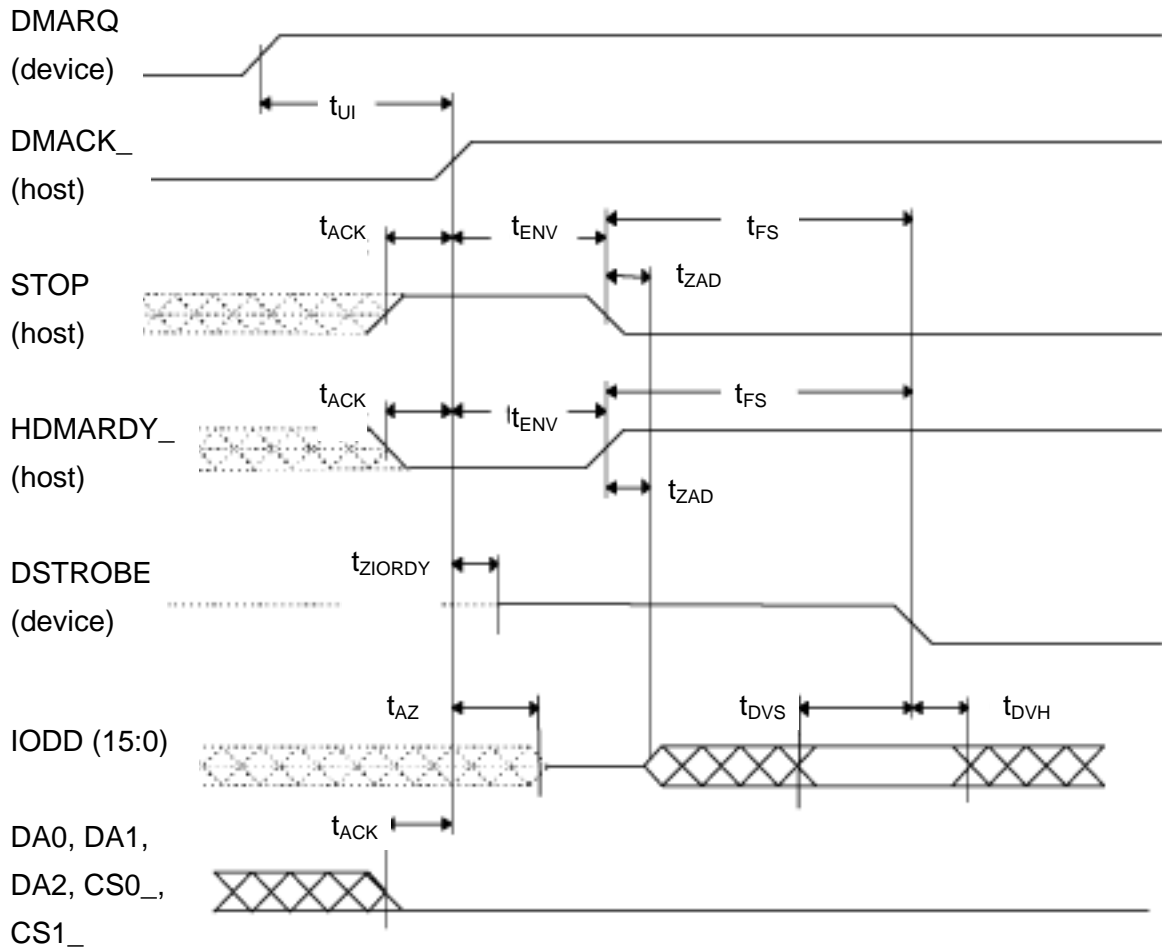
1. To terminate the transmission of a data burst, the Host shall negate DMACK_ within the specified time after a DIOR_ or DIOW_ pulse. No further DIOR_ or DIOW_ pulses shall be asserted for this burst.
2. If the device is able to continue the transfer of data, the device may leave DMARQ asserted and wait for the host to reassert DMACK_ or may negate DMARQ at any time after detecting that DMACK_ has been negated.

6.4.3 Ultra DMA data transfer

6.4.3.1 Ultra DMA data burst timing requirements

Name	Mode 0 (in ns)		Mode 1 (in ns)		Mode 2 (in ns)		Mode 3 (in ns)		Mode 4 (in ns)		Comment
	min	max	min	max	min	max	min	max	Min	max	
$t_{2CYCTYP}$	240		160		120		90		60		Typical sustained average two cycle time
t_{CYC}	112		73		54		39		25		Cycle time allowing for asymmetry and clock variations
t_{2CYC}	230		154		115		86		57		Two cycle time allowing for clock variations
t_{DS}	15		10		7		7		5		Data setup time at recipient
t_{DH}	5		5		5		5		5		Data hold time at recipient
t_{DVS}	70		48		30		20		6		Data valid setup time at sender
t_{DVH}	6		6		6		6		6		Data valid hold time at sender
t_{FS}	0	230	0	200	0	170	0	130	0	120	First STORBE time
t_{LI}	0	150	0	150	0	150	0	100	0	100	Limited interlock time
t_{MLI}	20		20		20		20		20		Interlock time with minimum
t_{UI}	0		0		0		0		0		Unlimited interlock time
t_{AZ}		10		10		10		10		10	Maximum time allowed for output drivers to release
t_{ZAH}	20		20		20		20		20		Minimum delay time required for output
t_{ZAD}	0		0		0		0		0		Drivers to assert or negate
t_{ENV}	20	70	20	70	20	70	20	55	20	55	Envelope time
t_{SR}		50		30		20		NA		NA	STROBE to DMARDY_ time
t_{RFS}		75		70		60		60		60	Ready to final STROBE time
t_{RP}	160		125		100		100		100		Minimum time to assert STOP or negate DMARQ
t_{IORDYZ}		20		20		20		20		20	Maximum time before releasing IORDY
t_{ZIORDY}	0		0		0		0		0		Minimum time before driving STROBE
t_{ACK}	20		20		20		20		20		Setup and hold times for DMACK_
t_{SS}	50		50		50		50		50		Time from STROBE edge to negation of DMARQ or assertion of STOP

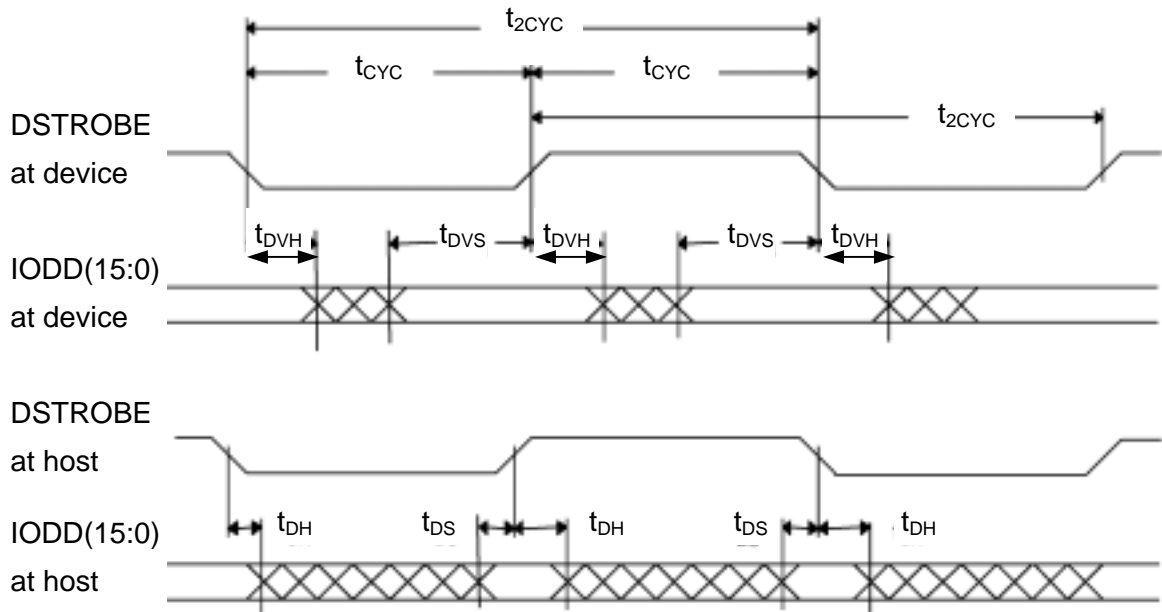
6.4.3.2 Initiating an Ultra DMA data-in burst



Notes:

The definitions for the DIOW_:STOP, DIOR_:HDMARDY_:HSTROBE and IORDY:DDMARDY_:DSTROBE signal lines are not in efficient until DMARQ and DMACK are asserted.

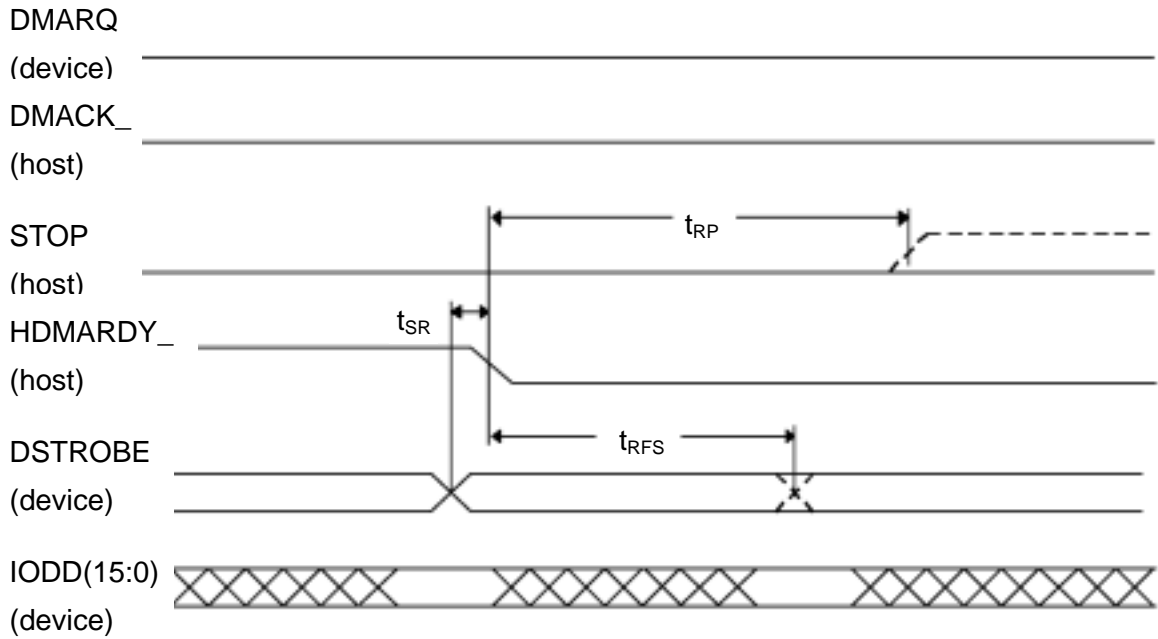
6.4.3.3 Sustained Ultra DMA data-in burst



Notes:

IODD(15:0) and DSTROBE signals are shown at both the host and the device to emphasize that cable settling time as well as cable propagation delay shall not allow the data signals to be considered stable at the host until some time after they are driven by the device.

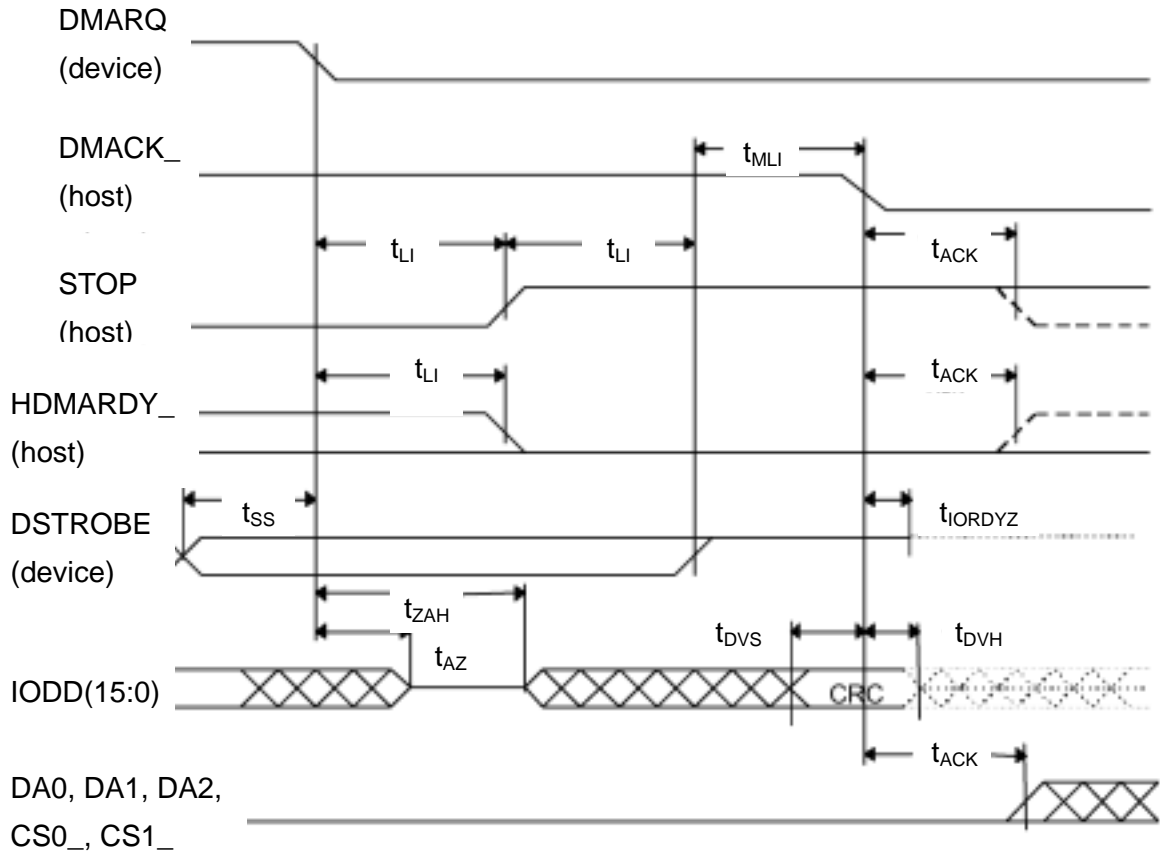
6.4.3.4 Host pausing an Ultra DMA data-in burst



Notes:

1. The host may assert STOP to request termination of the Ultra DMA burst no sooner than t_{RP} after HDMARDY_ is negated.
2. If the t_{SR} timing is not satisfied, the host may receive zero, one, or two more data words from the device.

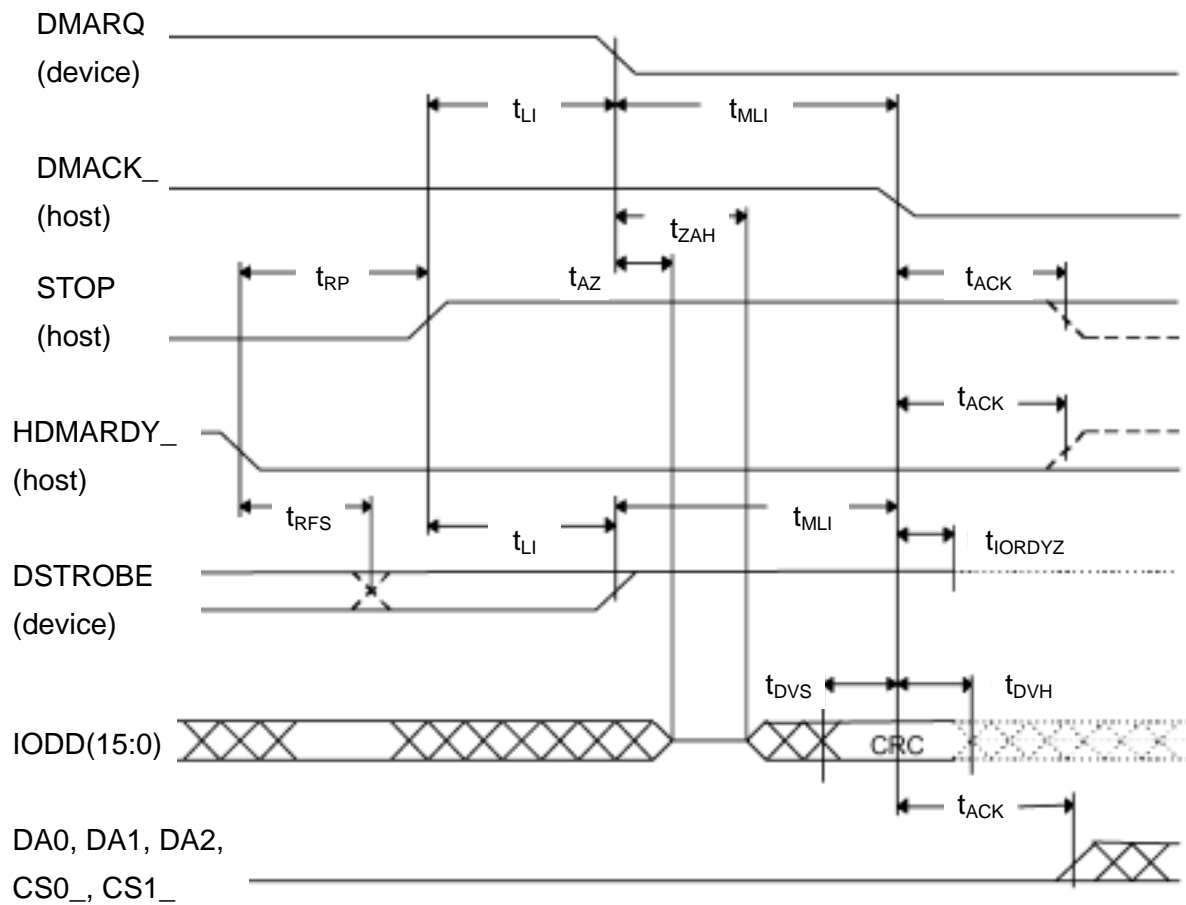
6.4.3.5 Device terminating an Ultra DMA data-in burst



Notes:

The definitions for the DIOW_:STOP, DIOR_:HDMARDY_:HSTROBE and IORDY_:DDMARDY_:DSTROBE signal lines are no longer in effect after DMARQ and DMACK are negated.

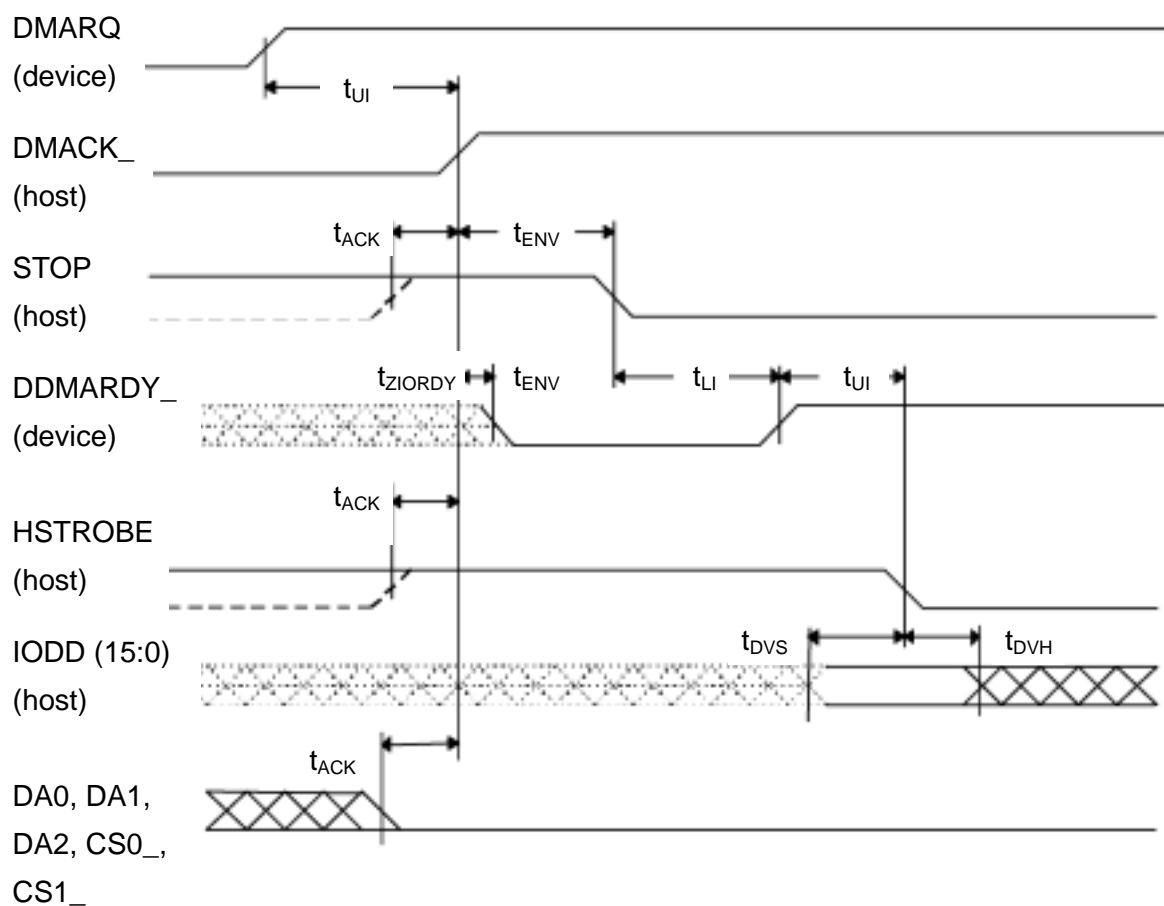
6.4.3.6 Host terminating an Ultra DMA data-in burst



Notes:

The definitions for the DIOW_:STOP, DIOR_:HDMARDY_:HSTROBE and IORDY:DDMARDY_:DSTROBE signal lines are no longer in effect after DMARQ and DMACK are negated.

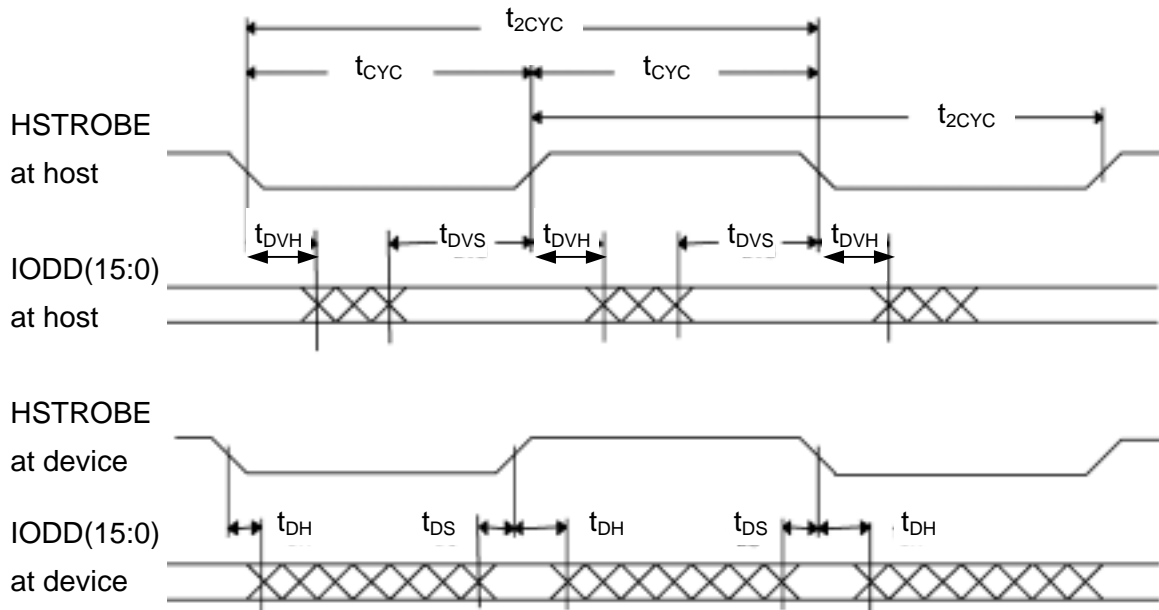
6.4.3.7 Initiating an Ultra DMA data-out burst



Notes:

The definitions for the $DIOW_ :STOP$, $DIOR_ :HDMARDY_ :HSTROBE$ and $IORDY :DDMARDY_ :DSTROBE$ signal lines are not in effect until DMARQ and DMACK are asserted.

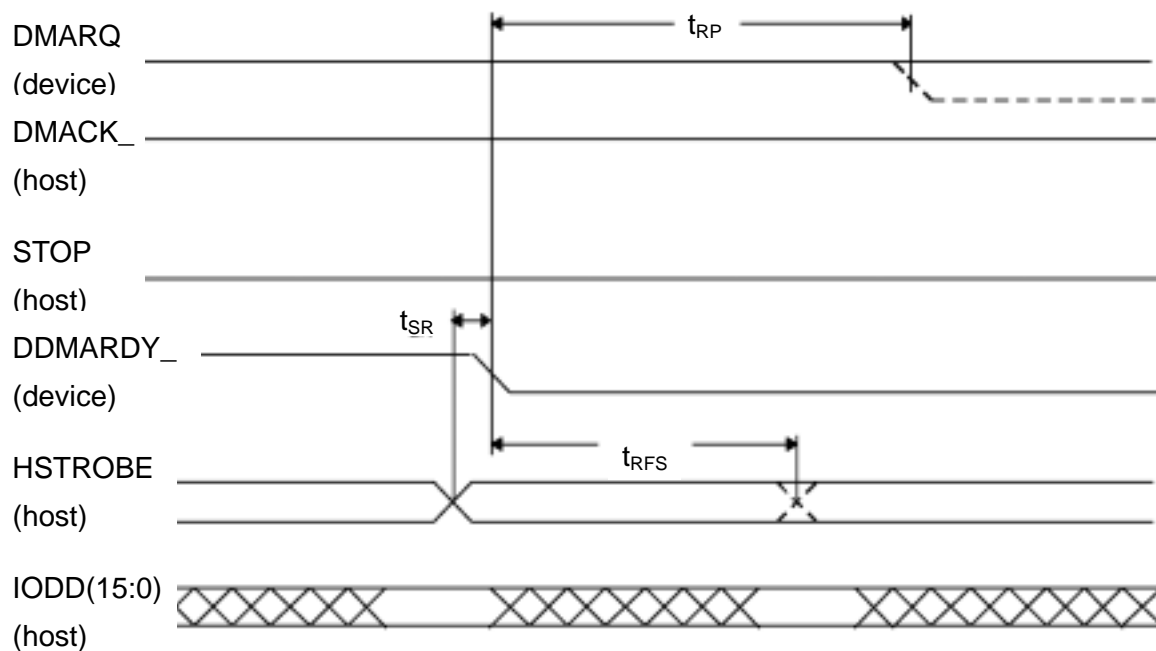
6.4.3.8 Sustained Ultra DMA data-out burst



Notes:

IODD(15:0) and HSTROBE signals are shown at both the device and the host to emphasize that cable settling time as well as cable propagation delay shall not allow the data signals to be considered stable at the device until some time after they are driven by the host.

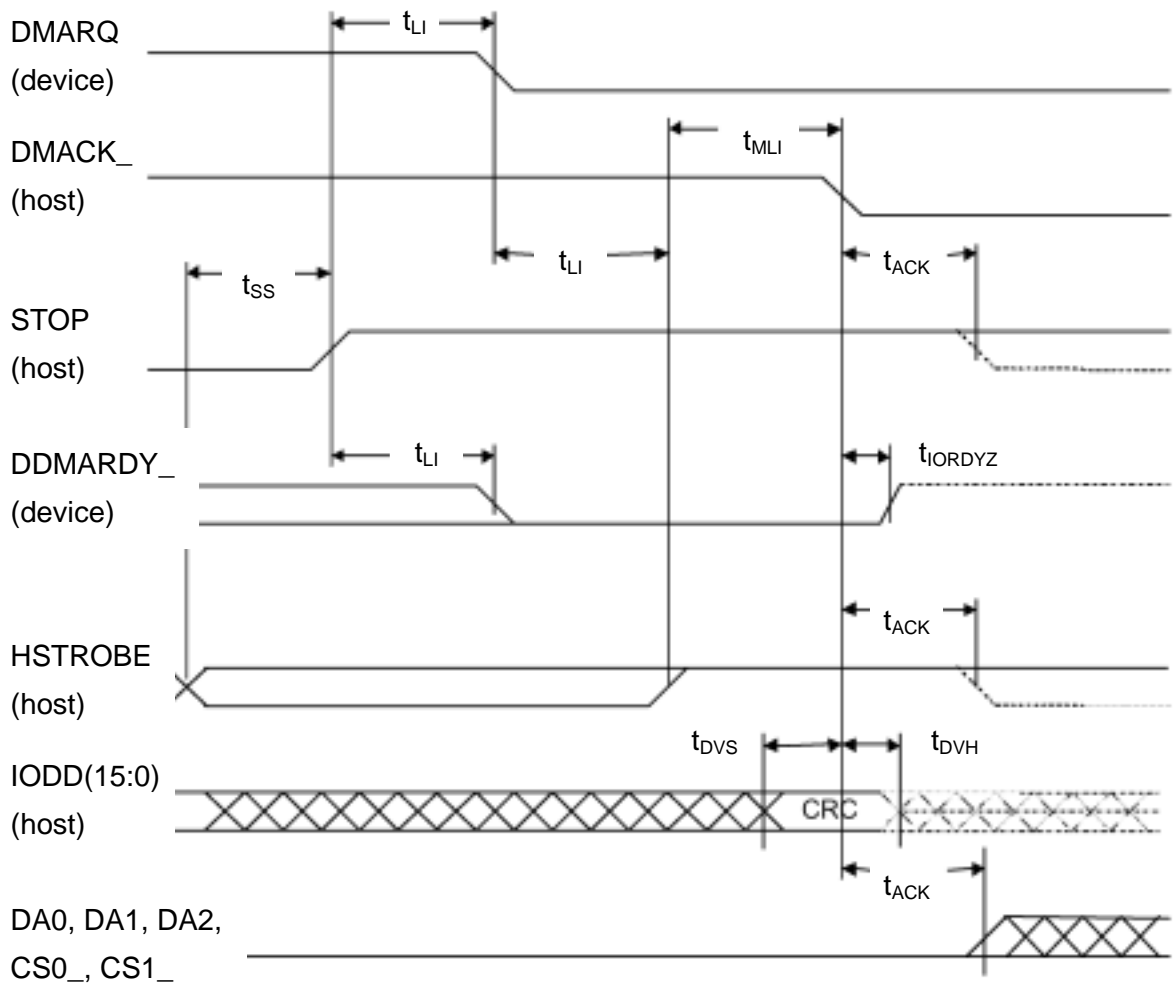
6.4.3.9 Device pausing an Ultra DMA data-out burst



Notes:

1. The device may negate DMARQ to request termination of the Ultra DMA burst no sooner than t_{RP} after DDMARDY_ is negated.
2. If the t_{SR} timing is not satisfied, the device may receive zero, one, or two more data words from the host.

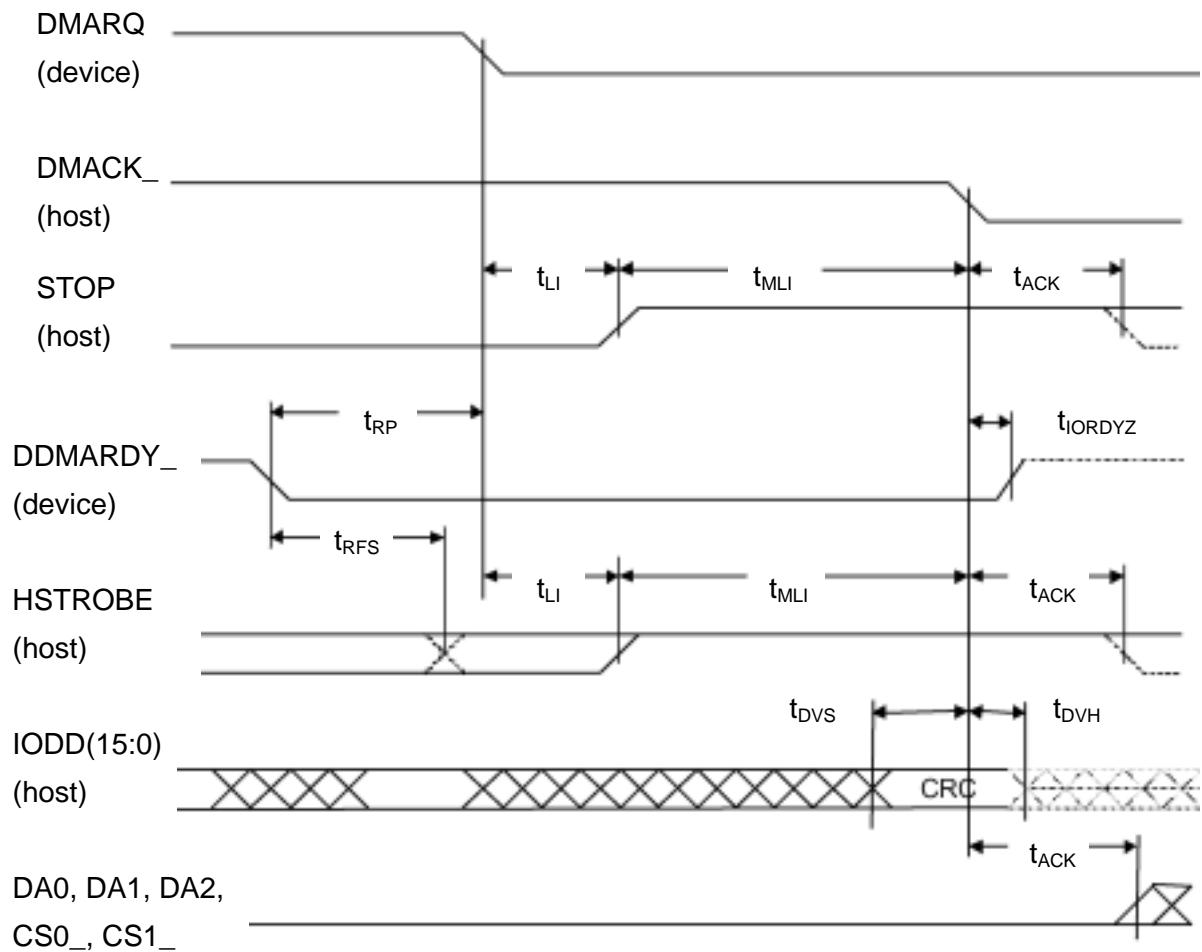
6.4.3.10 Host terminating an Ultra DMA data-out burst



Notes:

The definitions for the DIOW_:STOP, DIOR_:HDMARDY_:HSTROBE and IORDY:DDMARDY_:DSTROBE signal lines are no longer in effect after DMARQ and DMACK are negated.

6.4.3.11 Device terminating an Ultra DMA data-out burst



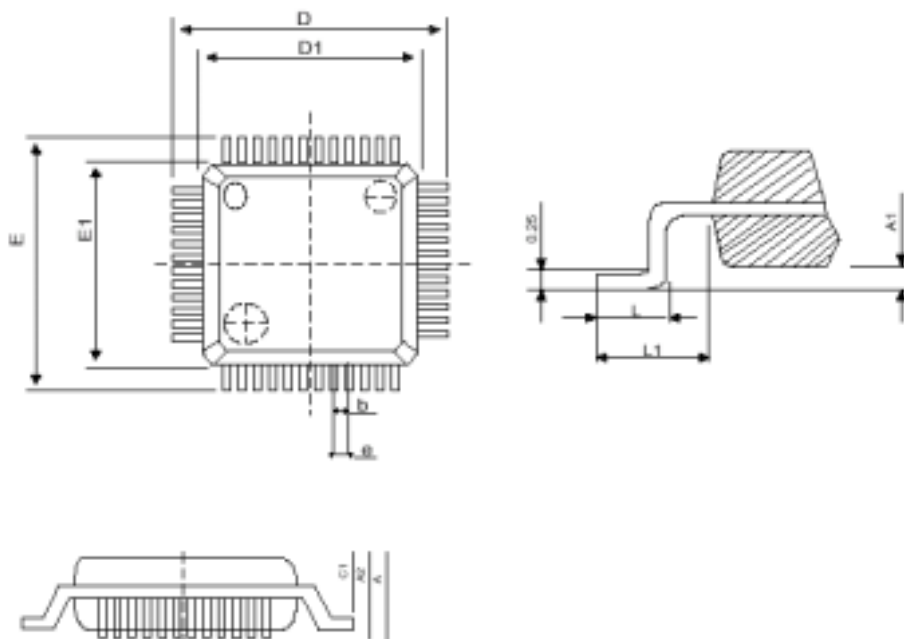
Notes:

The definitions for the DIOW_:STOP, DIOR_:HDMARDY_:HSTROBE and IORDY_:DDMARDY_:DSTROBE signal lines are no longer in effect after DMARQ and DMACK are negated.

6.5 AC Characteristics- USB 2.0

The GL811USB conforms to all timing diagrams and specifications for Universal Serial Bus specification rev. 2.0. Please refer to this specification for more information.

7. Package Dimension



SYMBOL	MIN	MAX
A		1.6
A1	0.05	0.15
A2	1.35	1.45
C1	0.09	0.16
D	9.00BSC	
D1	7.00BSC	
E	9.00BSC	
E1	7.00BSC	
e	0.5BSC	
b	0.17	0.27
L	0.45	0.75
L1	1 REF	

8. Revision History

Version	Description	Date
1.0	First draft	2001/08/31
1.1	Correct the pin assignment GPIO1/ CPIO7 for 48-pin package	2002/02/06
1.2	Electrical Characteristics data supplement, and eliminate the 100-pin LQFP package.	2002/04/12
1.3	AC Characteristics (ATA/ ATAPI) data supplement in Chapter 6.	2002/05/10