



查询GM2116供应商

**GENESIS
MICROCHIP**

捷多邦, 专业PCB打样工厂, 24小时加急出货

Preliminary Product Brief gm2116

C2116-PBR-01A

Analog-Interface OnPanel XGA LCD Controller with RSDS Transmitter

The gm2116 device is an all-in-one image processor targeted for the OnPanel LCD monitor market with resolutions up to XGA. The gm2116 leverages Genesis patented advanced image-processing technology and a proven integrated ADC/PLL to provide excellent image quality in simple and cost-effective solution. The integrated OnPanel timing controller (TCON) is fully programmable to interface with a wide range of commercially available LCD panels. A dual channel RSDS (reduced swing differential signaling) 6 or 8 bit transmitter is provided for direct connect to column drivers with RSDS inputs. This high level of integration reduces the number of components, which eliminates a PCB along with its associated connectors and cables. This reduces system cost, improves reliability and simplifies monitor design.

FEATURES

- Zoom (from VGA) and shrink (from UXGA) scaling
- Integrated 8-bit triple-channel ADC / PLL
- On-chip programmable OnPanel timing controller
- Embedded microcontroller with parallel ROM interface
- On-chip versatile OSD engine
- All system clocks synthesized from a single crystal
- Programmable gamma correction (CLUT)
- RealColor controls provide sRGB compliance
- PWM back light intensity control
- 5 Volt tolerant inputs
- Energy Spectrum Management (ESM™) for low EMI
- **High-Quality Advanced Scaling**
 - Fully programmable zoom ratios
 - High-quality shrink capability from UXGA resolution
 - RealRecovery function provides full color recovery image for refresh rates higher than those supported by the LCD panel ("out of range" signals)
- **Analog RGB Input Port**
 - Supports up to 162 MHz (SXGA 85Hz / UXGA 60Hz)
Note: resolutions and refresh rates higher than those supported by the panel are supported as recovery modes.
 - On-chip high-performance PLLs (only a single reference crystal required)
 - Automatic input format detection
 - Robust phase and image positioning

- **RealColor Technology**
 - Digital brightness and contrast controls
 - TV color controls including hue and saturation controls
 - Flesh-tone adjustment
 - Full color matrix allows end-users to experience the same colors as viewed on CRTs and other displays (e.g. sRGB compliance)
- **On-chip OSD Controller**
 - On-chip RAM for downloadable menus
 - 1, 2 and 4-bit per pixel character cells
 - Horizontal and vertical stretch of OSD menus
 - Blinking, transparency and blending
 - Embedded language independent designer OSD
- **Built-in Test Pattern Generator**
- **On-chip Microcontroller**
 - Requires no external microcontroller
 - External parallel ROM interface
 - 21 general-purpose inputs/outputs (GPIOs) available for managing system devices (keypad, back light, NVRAM, etc)
 - Industry-standard firmware embedded on-chip, requires no external ROM (configuration settings stored in NVRAM)
 - Low-power mode (< 0.15W) when no inputs are active
 - Support for DDC2Bi based In-System-Programming of Flash ROM
- **Built-in OnPanel Timing Controller**
 - Dual channel 6/8 bit RSDS compliant serial interface with direct connect to RSDS compliant column drivers.
 - Low EMI and power saving features include frame, line and in-line inversion, blanking and programmable output amplitudes and proprietary ESM™ techniques
- **Output Format**
 - Programmable pin swapping, odd / even data swapping and red / blue group channel swapping for flexibility in board layout
 - Support for 8 or 6-bit panels (with high-quality dithering)
- **Stand-alone operation requires No external ROM and No firmware development for *Fast Time to Market***
- **Pin and FW Compatible with Genesis OnPanel RSDS Family**

PACKAGE

- 208-pin PQFP



2150 Gold Street • Alviso • CA • U.S.A. • 95002
4F, No 24, Ln 123, Sec 6 • Min-Chuan E. Rd • Taipei • Taiwan • ROC
165 Commerce Valley Dr. West • Thornhill • ON • Canada • L3T 7V8

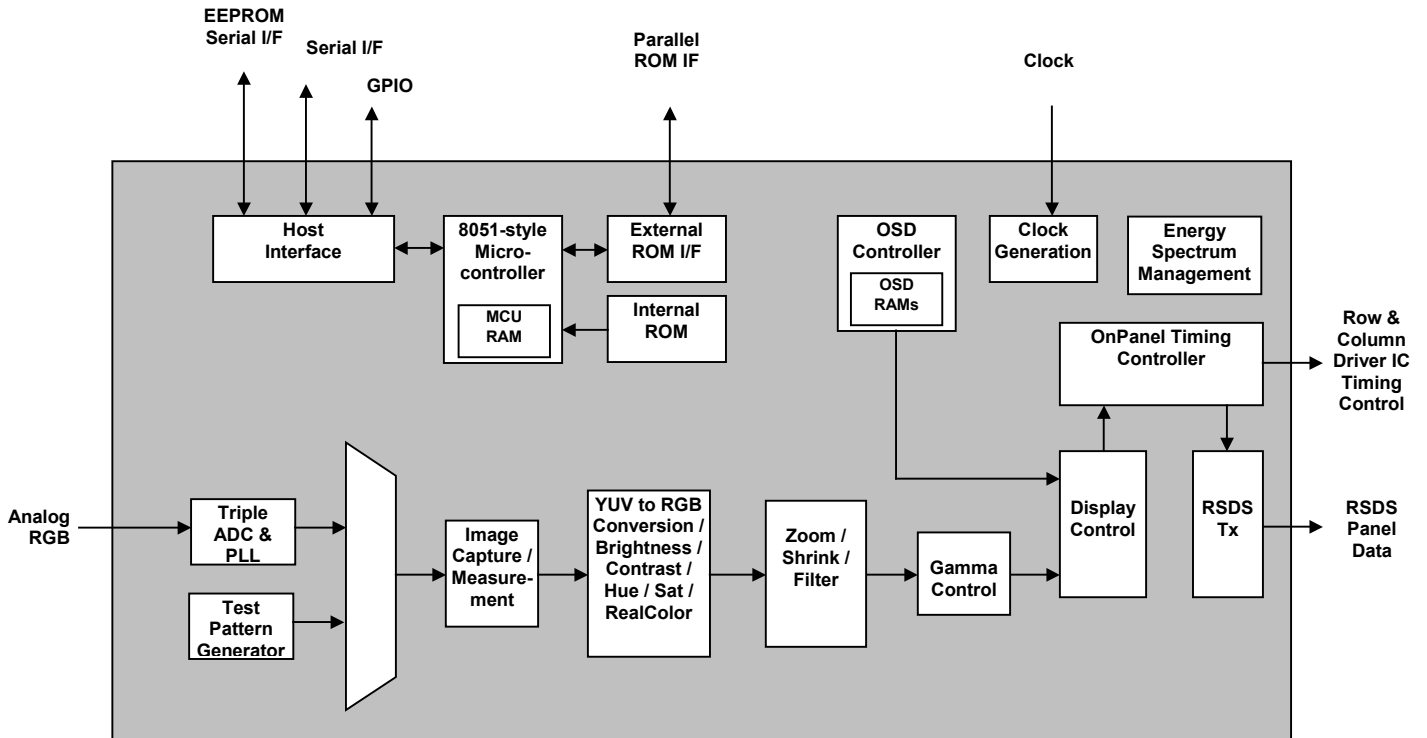
Tel: (408)262-6599
Tel: 886-2-2791-0118
Tel: (905)889-5400

Fax: (408)262-6365
Fax: 886-2-2791-0196
Fax: (905)889-5422

www.genesis-microchip.com

C2116-PBR-01A

gm2116 Functional Block Diagram



gm2116 OnPanel Design Example

