

GP1A75E

Small Size OPIC Photointerrupter with Connector

■ Features

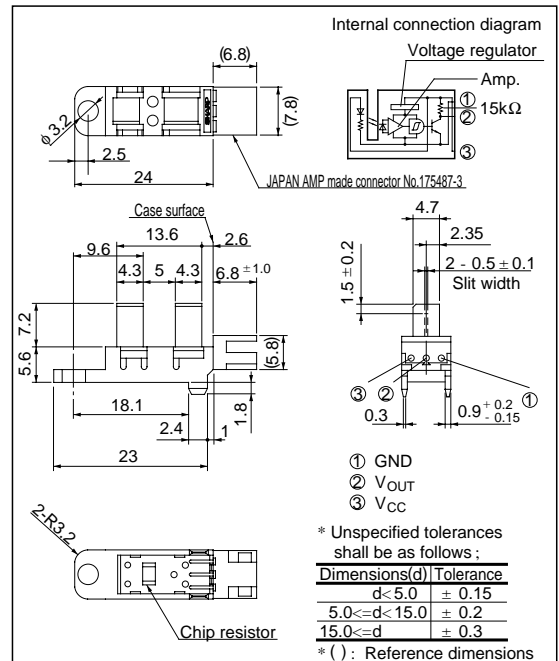
1. 3-pin connector terminal
2. High sensing accuracy
(Slit width: 0.5mm)
3. Wide gap between light emitter and detector (5mm)

■ Applications

1. Copiers
2. Laser beam printers
3. Facsimiles

■ Outline Dimensions

(Unit : mm)



**OPIC™ (Optical IC) is a trademark of the SHARP Corporation.

An OPIC consists of a light-detecting element and signal-processing circuit integrated onto a single chip.

■ Absolute Maximum Ratings (T_a= 25°C)

Parameter	Symbol	Rating	Unit
Supply voltage	V _{CC}	- 0.5 to + 10	V
*1 Low level output current	I _{OL}	50	mA
*2 Operating temperature	T _{opr}	- 20 to + 75	°C
*2 Storage temperature	T _{stg}	- 30 to + 85	°C

*1 Collector current of output transistor

*2 The connector should be plugged in/out and the unit's hook should be used at normal temperature.

■ Electro-optical Characteristics

(Unless otherwise specified, $V_{CC} = 5V, T_a = 25^\circ C$)

Parameter	Symbol	Conditions	MIN.	TYP.	MAX.	Unit
Operating supply voltage	V_{CC}	-	4.5	-	5.5	V
Low level supply current	I_{CCL}	Light beam interrupted	-	-	20	mA
Low level output voltage	V_{OL}	Light beam interrupted, $I_{OL} = 16mA$	-	-	0.35	V
High level supply current	I_{CCH}	Light beam uninterrupted	-	-	20	mA
High level output voltage	V_{OH}	Light beam uninterrupted	$V_{CC} \times 0.9$	-	-	V
Response characteristics	Minimum interruption time	t_H	-	166	-	μs
	Minimum sensing time	t_L	-	166	-	μs

Fig. 1 Low Level Output Current vs. Ambient Temperature

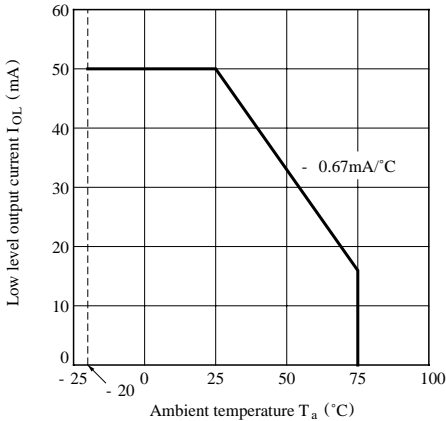


Fig. 2 Low Level Output Voltage vs. Low Level Output Current

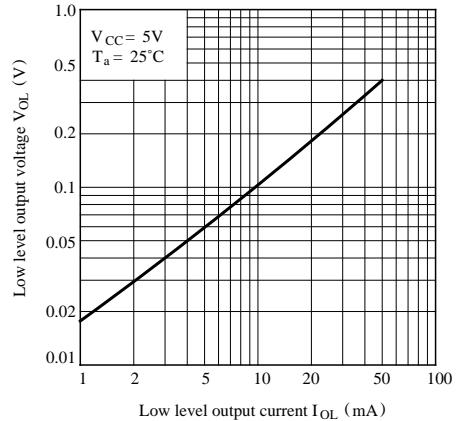


Fig. 3 Low Level Output Voltage vs. Ambient Temperature

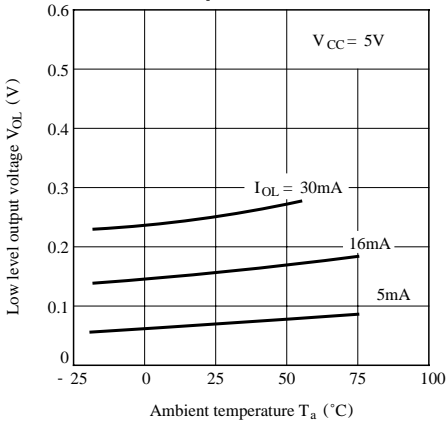


Fig. 4 Supply Current vs. Supply Voltage

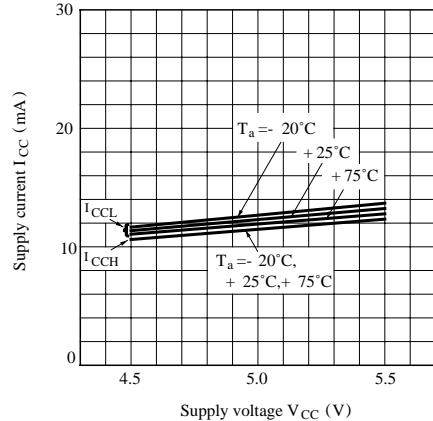


Fig. 5 Detecting Position Characteristics (1)

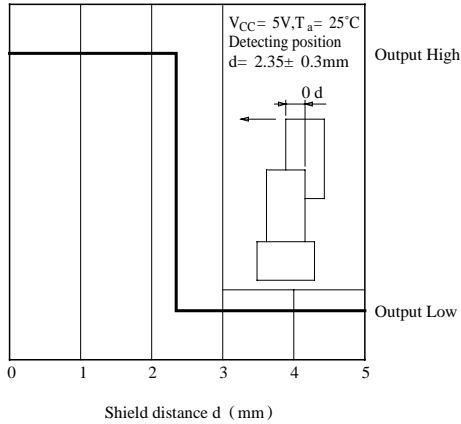
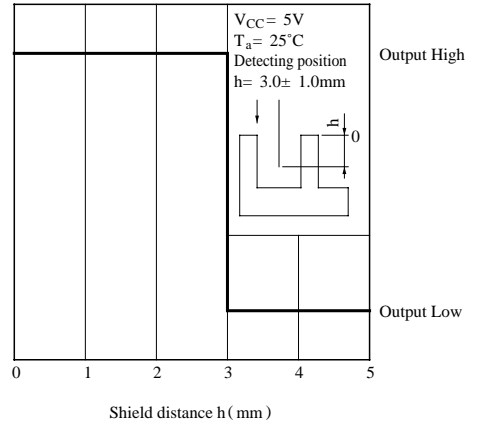
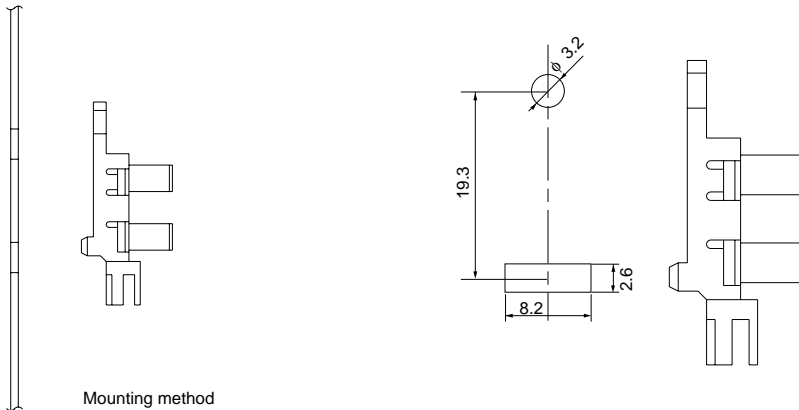


Fig. 6 Detecting Position Characteristics (2)



■ Recommended Mounting Holes (Unit : mm)



■ Precautions for Use

- (1) In this product, the PWB is fixed with a hook, and cleaning solvent may remain inside the case; therefore, dip cleaning or ultrasonic cleaning are prohibited.
- (2) Remove dust or stains, using an air blower or a soft cloth moistened in cleaning solvent. In this case, use only the following type of cleaning solvent used for wiping off:
Ethyl alcohol, Methyl alcohol, Isopropyl alcohol
When the cleaning solvents except for specified materials are used, please consult us.
- (3) In order to stabilize power supply line, connect a by-pass capacitor of more than $0.01\mu F$ between V_{CC} and GND near the device.
- (4) As for other general cautions, refer to the chapter "Precautions for Use".