



# GR1A THRU GR1M

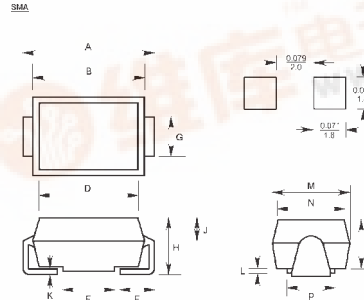
## SURFACE MOUNT FAST SWITCHING RECTIFIER

Reverse Voltage - 50 to 1000 Volts

Forward Current - 1.0 Ampere

### Features

- Plastic package has Underwriters Laboratory Flammability Classification 94V-0
- For surface mounted applications in order to optimize board space
- Low profile package
- Built-in strain relief, ideal for automated placement
- Fast switching for high efficiency
- Glass passivated chip junction
- High temperature soldering: 250°C/10 seconds at terminals



### Mechanical Data

- **Case:** SMA molded plastic over passivated chip
- **Terminals:** Solder plated, solderable per MIL-STD-750, method 2026
- **Polarity:** Color band denotes cathode end
- **Weight:** 0.004 ounce, 0.118 gram

DIM	inches		mm		Note
	Min.	Max.	Min.	Max.	
A	0.216	0.226	5.48	5.74	
B	0.176	0.182	4.48	4.63	
C	0.094	0.100	2.40	2.55	
D	0.170	0.176	4.33	4.48	
E	0.039	0.055	1.00	1.40	
F	0.080	0.081	2.03	2.07	
G	0.068	0.083	1.72	2.10	
H	0.112	0.118	2.85	3.00	
J	0.057	-	1.44	-	
K	-	0.018	-	0.45	
L	0.016	-	0.40	-	
M	0.109	0.115	2.77	2.93	
N	0.105	0.107	2.67	2.73	
P	0.078	0.081	2.00	2.05	

### Maximum Ratings and Electrical Characteristics

Ratings at 25°C ambient temperature unless otherwise specified.

	Symbols	GR1A	GR1B	GR1D	GR1G	GR1J	GR1K	GR1M	Units
Maximum repetitive peak reverse voltage	$V_{RRM}$	50	100	200	400	600	800	1000	Volts
Maximum RMS voltage	$V_{RMS}$	35	70	140	280	420	560	700	Volts
Maximum DC blocking voltage	$V_{DC}$	50	100	200	400	600	800	1000	Volts
Maximum average forward rectified current at $T_L=90^\circ\text{C}$	$I_{(AV)}$	1.0							Amp
Peak forward surge current 8.3mS single half sine-wave superimposed on rated load (MIL-STD-750D 4066 method) $T_L=90^\circ\text{C}$	$I_{FSM}$	30.0							Amps
Maximum instantaneous forward voltage at 1.0A	$V_F$	1.30							Volts
Maximum DC reverse current at rated DC blocking voltage $T_A=25^\circ\text{C}$ $T_J=125^\circ\text{C}$	$I_R$	5.0 50.0							$\mu\text{A}$
Maximum reverse recovery time (Note 1)	$T_{rr}$	150			250		500		nS
Typical junction capacitance (Note 2)	$C_j$	10.0						7.0	$\mu\text{F}$
Maximum thermal resistance (Note 3)	$R_{\theta JA}$ $R_{\theta JL}$	105.0 32.0							$^\circ\text{C/W}$
Operating junction and storage temperature range	$T_J, T_{STG}$	-55 to +150							$^\circ\text{C}$

Notes:

(1) Reverse recovery test conditions:  $I_r=0.5\text{A}$ ,  $I_{FM}=1.0\text{A}$ ,  $I_{SM}=0.25\text{A}$

(2) Measured at 1.0MHz and applied reverse voltage of 4.0 volts

(3) Thermal resistance from junction to ambient and from junction to lead mounted on P.C.B. with 0.2x0.2" (5.0x5.0mm) copper pad areas



# RATINGS AND CHARACTERISTIC CURVES

