

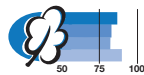
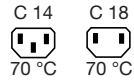
APPLIANCE COUPLERS

GSP1

Appliance inlets/-outlets

Appliance inlet GSP1

for PCB mounting
– screw on
Pin temperature 70 °C
Protection classes I and II

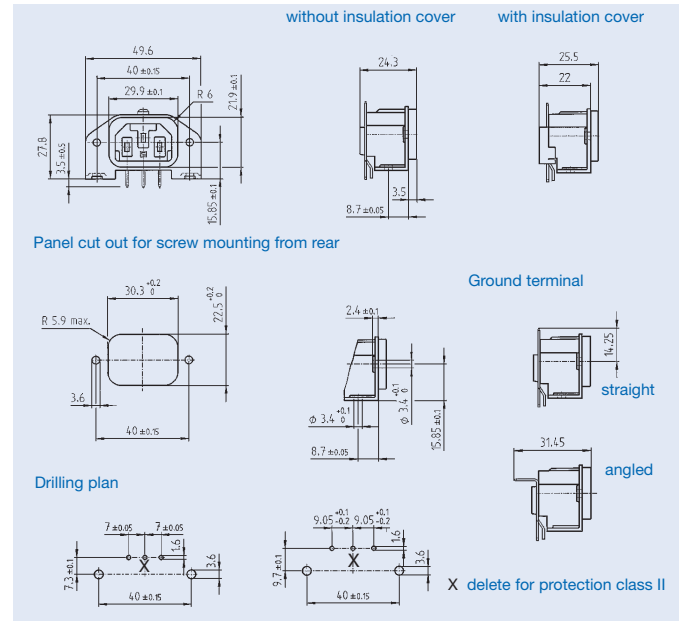


Ground terminal

straight

Technical data:

- Rated current/voltage: 10 A/250 VAC
- Insulation resistance: > 10 MΩ (500 VDC, 1 Min.)
- Dielectric strength: 3 kV (50 Hz, 1 Min.) (between terminals)
- Material:
 - Socket: thermoplastic, black, UL 94V-0



Standards

Protection class I
IEC/EN 60320-1/C14

Protection class II
IEC/EN 60320-1/C18

Approvals

- SEV (10 A / 250 VAC)
- VDE (10 A / 250 VAC)
- SEMKO (10 A / 250 VAC)
- UL (15 A / 250 VAC)
- CSA (15 A / 250 VAC)

Order Numbers

PCB-terminals	Insulation cover	Protection class	Mounting flange with
L			
Spacing 7/7.3			
Ground terminal			
Spacing 9.05/9.7			
Ground terminal			
4,8 x 0,8 mm angled			
4,8 x 0,8 mm straight			
GSP1.9103.1	without	I	Holes for screws M 3
GSP1.9113.1	with	I	
GSP1.9100.1	without	II	Pre-inserted nuts M3, 4 pcs.
GSP1.9110.1	with	II	
GSP1.9203.1	without	I	Holes for self-tapping screws 3 mm. (EJOT-PT) 4 screws enclosed
GSP1.9200.1	with	I	
GSP1.9503.1	without	I	
GSP1.9500.1	with	II	

Additional versions on request, e. g.: Quick-connect ground-terminal 6,3 x 0,8 mm

is a trademark of SCHURTER registered in CH, USA and further countries