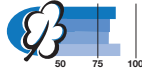


### Appliance inlet GSP2

Panel mount/sandwich or rear side  
Snap-in or screw-on mounting on PCB  
Pin temperature 70 °C  
Protection classes I and II



Snap-in mounting

Screw-on mounting



C 14



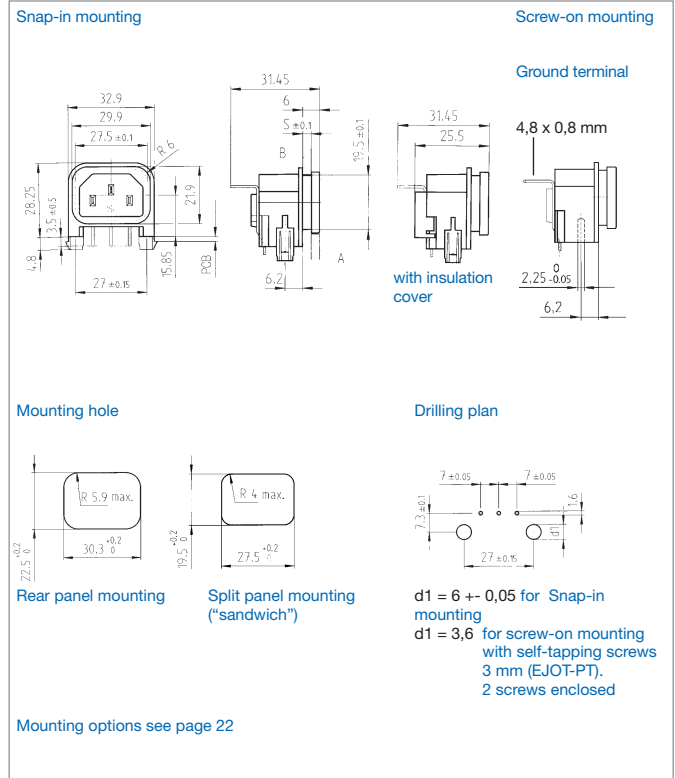
70 °C

C 18



70 °C

Ground terminal angled



### Technical data:

- Rated current/voltage: 10 A/250 VAC
- Insulation resistance: > 10 MΩ (500 VDC, 1 Min.)
- Dielectric strength: 3 kV (50 Hz, 1 Min.) (between terminals)
- Material:
  - Socket: thermoplastic, black, UL 94V-0

### Standards

**Protection class I**  
IEC/EN 60320-1/C14

**Protection class II**  
IEC/EN 60320-1/C18

### Approvals

- SEV (10 A / 250 VAC)
- VDE (10 A / 250 VAC)
- SEMKO (10 A / 250 VAC)

- UL (15 A / 250 VAC)
- CSA (15 A / 250 VAC)

Optional insulation cover for protection against electrical contact

### Order Numbers

Screw-on mounting	Snap-in mounting for PCB 1,6 mm	Protection class	Ground terminal 4,8 x 0,8 mm angled	Insulation cover		for panel-thickness			
				without	with	1,5 mm	2,0 mm	2,5 mm	3,0 mm
GSP2.9103.13	GSP2.9203.13	I	•	•	•				
GSP2.9103.14	GSP2.9203.14	I	•	•		•			
GSP2.9103.15	GSP2.9203.15	I	•	•				•	
GSP2.9103.16	GSP2.9203.16	I	•	•					•
GSP2.9113.13	GSP2.9213.13	I	•	•	•				
GSP2.9113.14	GSP2.9213.14	I	•	•			•		
GSP2.9113.15	GSP2.9213.15	I	•	•				•	
GSP2.9113.16	GSP2.9213.16	I	•	•					•
GSP2.9100.13	GSP2.9200.13	II	•	•		•			
GSP2.9100.14	GSP2.9200.14	II	•	•			•		
GSP2.9100.15	GSP2.9200.15	II	•	•				•	
GSP2.9100.16	GSP2.9200.16	II	•	•					•
GSP2.9110.13	GSP2.9210.13	II	•	•	•				
GSP2.9110.14	GSP2.9210.14	II	•	•		•			
GSP2.9110.15	GSP2.9210.15	II	•	•				•	
GSP2.9110.16	GSP2.9210.16	II	•	•					•

Additional versions on request, e. g.: Ground terminal straight or quick-connect terminal 6,3 x 0,8 mm