

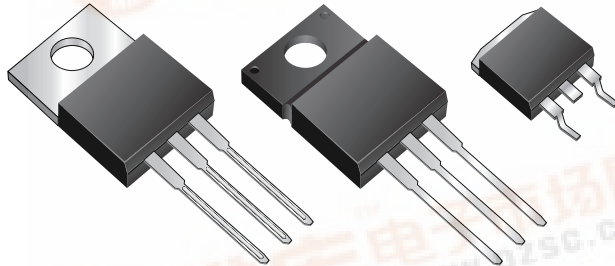


MBR20H100CT, MBRF20H100CT & MBRB20H100CT Series

New Product

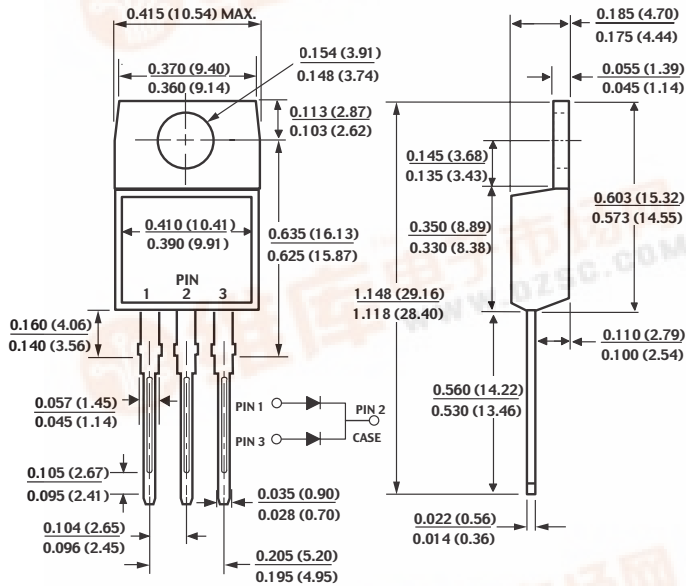
Vishay Semiconductors
formerly General Semiconductor

Dual High-Voltage Schottky Rectifiers

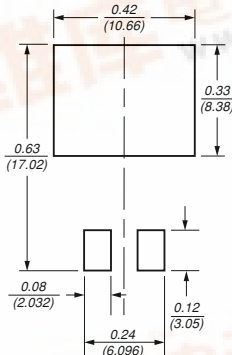


Reverse Voltage 90 to 100V
Forward Current 20A

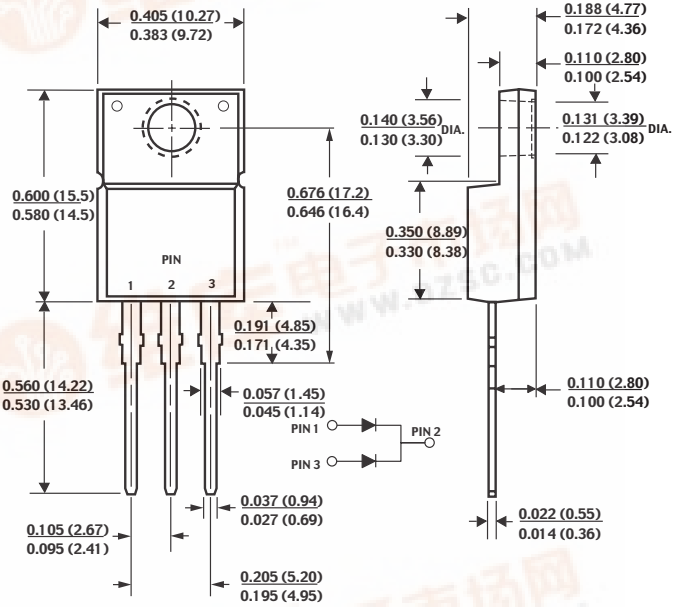
TO-220AB (MBR20H90CT, MBR20H100CT)



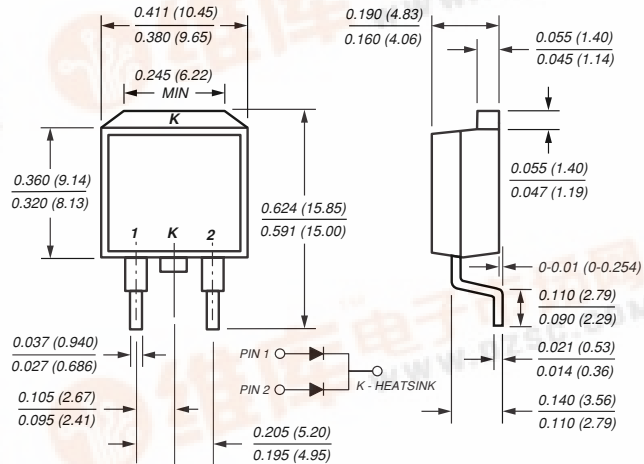
Mounting Pad Layout TO-263AB *Dimensions in inches and (millimeters)*



ITO-220AB (MBRF20H90CT, MBRF20H100CT)



TO-263AB (MBRB20H90CT, MBRB20H100CT)



Features

- Plastic package has Underwriters Laboratory Flammability Classification 94V-0
- Dual rectifier construction, positive center tap
- Metal silicon junction, majority carrier conduction
- Low power loss, high efficiency
- Guardring for overvoltage protection
- For use in low voltage, high frequency inverters, free wheeling, and polarity protection applications

Mechanical Data

Case: JEDEC TO-220AB, ITO-220AB, TO-263AB & TO-262AA molded plastic body

Terminals: Plated leads, solderable per MIL-STD-750, Method 2026

High temperature soldering guaranteed: 250°C/10 seconds, 0.25" (6.35mm) from case (TO-220AB, ITO-220AB & TO-252AA) at terminals (TO-236AB)

Polarity: As marked **Mounting Position:** Any

Mounting Torque: 10 in-lbs maximum

Weight: 0.08 oz., 2.24 g

MBR20H100CT, MBRF20H100CT & MBRB20H100CT Series



Vishay Semiconductors
formerly General Semiconductor

Maximum Ratings (T_C = 25°C unless otherwise noted)

Parameter	Symbol	MBR20H90CT	MBR20H100CT	Unit
Maximum repetitive peak reverse voltage	V _{RRM}	90	100	V
Working peak reverse voltage	V _{RWM}	90	100	V
Maximum DC blocking voltage	V _{DC}	90	100	V
Maximum average forward rectified current <i>Total device Per leg</i>	I _{F(AV)}	20 10		A
Peak forward surge current 8.3ms single half sine-wave superimposed on rated load (JEDEC Method) per leg	I _{FSM}	250		A
Peak repetitive reverse current per leg at t _p = 2μs, 1KHz	I _{RRM}	1.0		A
Voltage rate of change (rated V _R)	dv/dt	10,000		V/μs
Operating junction and storage temperature range	T _J , T _{STG}	-65 to +175		°C
RMS Isolation voltage (MBRF type only) from terminals to heatsink with t = 1 second, RH ≤ 30%	V _{ISOL}	4500 ⁽¹⁾ 3500 ⁽²⁾ 1500 ⁽³⁾		V

Electrical Characteristics (T_C = 25°C unless otherwise noted)

Parameter	Symbol	Value	Unit
Maximum instantaneous forward voltage per leg at ⁽⁴⁾ : I _F = 10A, T _C = 25°C I _F = 10A, T _C = 125°C I _F = 20A, T _C = 25°C I _F = 20A, T _C = 125°C	V _F	0.77 0.64 0.88 0.73	V
Maximum reverse current per leg at working peak reverse voltage T _J = 25°C T _J = 125°C	I _R	4.5 6.0	μA mA

Thermal Characteristics (T_C = 25°C unless otherwise noted)

Parameter	Symbol	MBR	MBRF	MBRB	Unit
Typical thermal resistance per leg	R _{θJC}	2.0	5.8	2.0	°C/W

Notes:

- (1) Clip mounting (on case), where lead does not overlap heatsink with 0.110" offset
- (2) Clip mounting (on case), where leads do overlap heatsink
- (3) Screw mounting with 4-40 screw, where washer diameter is ≤ 4.9 mm (0.19")
- (4) Pulse test: 300μs pulse width, 1% duty cycle

Ordering Information

Product	Case	Package Code	Package Option
MBR20H90CT - MBR20H100CT	TO-220AB	45	Anti-Static tube, 50/tube, 2K/carton
MBRF20H90CT - MBRF20H100CT	ITO-220AB	45	Anti-Static tube, 50/tube, 2K/carton
MBRB20H90CT - MBRB20H100CT	TO-263AB	31	13" reel, 800/reel, 4.8K/carton
		45	Anti-Static tube, 50/tube, 2K/carton
		81	Anti-Static 13" reel, 800/reel, 4.8K/carton



MBR20H100CT, MBRF20H100CT & MBRB20H100CT Series

Vishay Semiconductors
formerly General Semiconductor

Ratings and Characteristic Curves per leg ($T_A = 25^\circ\text{C}$ unless otherwise noted)

Fig. 1 — Forward Current Derating Curve

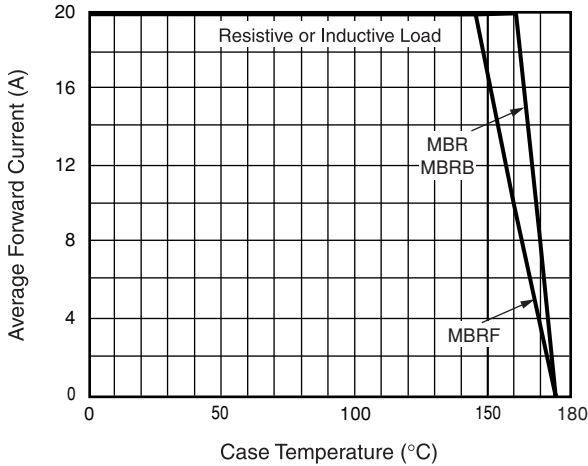


Fig. 2 — Maximum Non-Repetitive Peak Forward Surge Current Per Leg

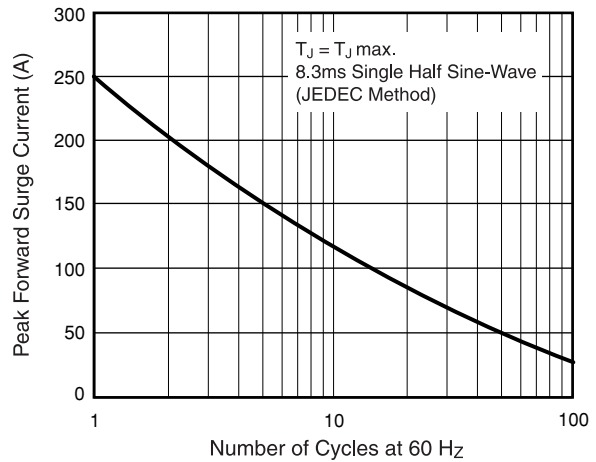


Fig. 3 — Typical Instantaneous Forward Characteristics Per Leg

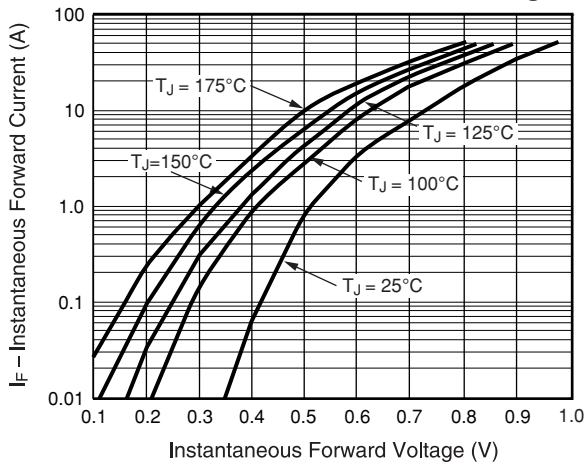


Fig. 4 — Typical Reverse Characteristics Per Leg

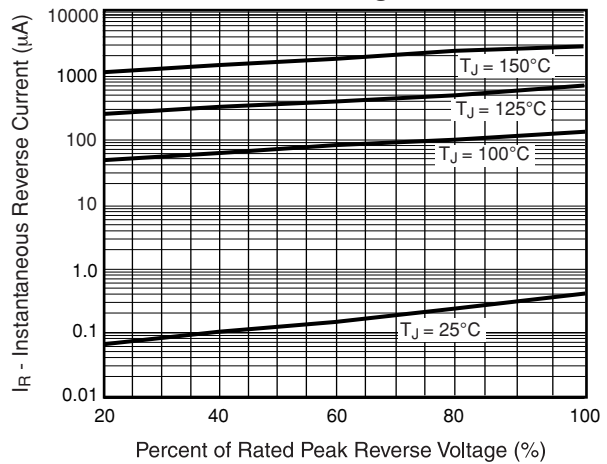


Fig. 5 - Typical Junction Capacitance Per Leg

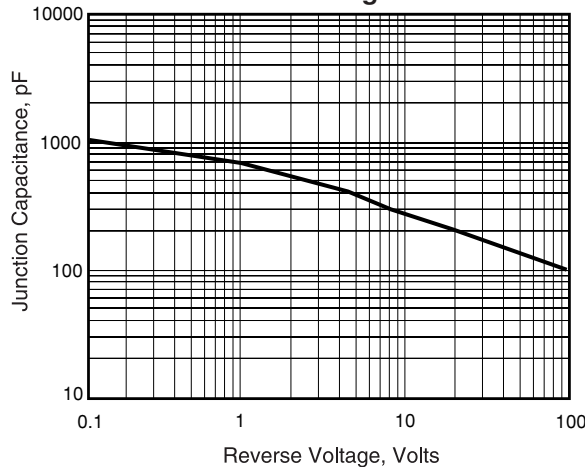


Fig. 6 - Typical Transient Thermal Impedance Per Leg

