

INTEGRATED CIRCUITS

DATA SHEET

For a complete data sheet, please also download:

- The IC04 LOCMOS HE4000B Logic Family Specifications HEF, HEC
- The IC04 LOCMOS HE4000B Logic Package Outlines/Information HEF, HEC

HEF40373B

MSI

Octal transparent latch with 3-state outputs

Product specification
File under Integrated Circuits, IC04

January 1995

Octal transparent latch with 3-state outputs

HEF40373B MSI

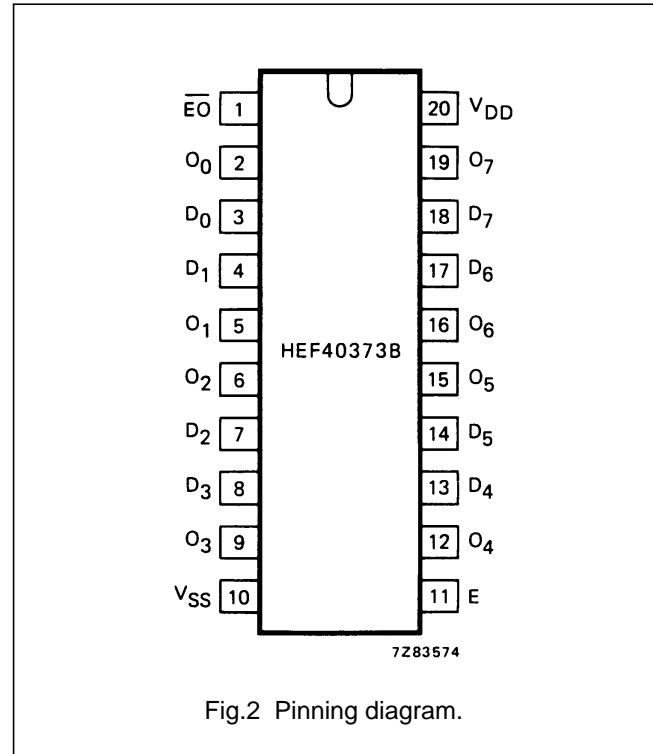
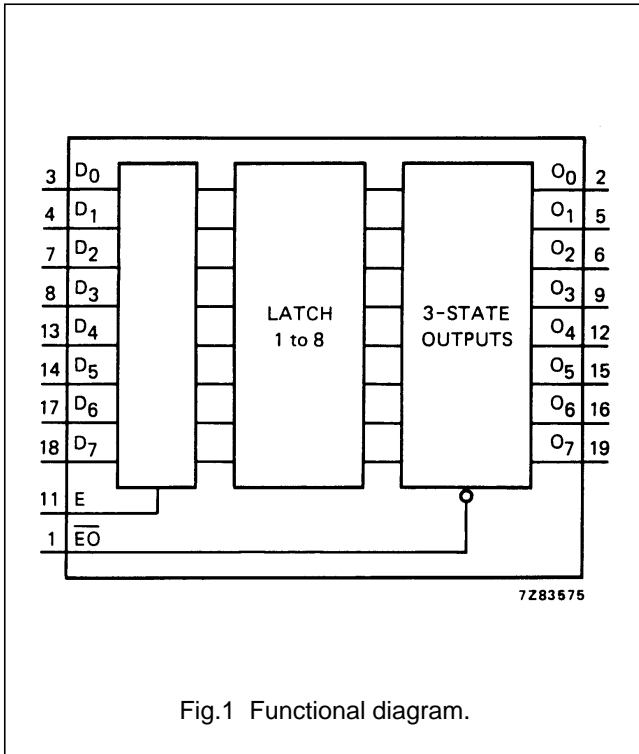
DESCRIPTION

The HEF40373B is an 8-bit transparent latch with 3-state buffered outputs. The output stages have high current output capability suitable for driving highly capacitive loads. The latch outputs follow the data inputs when the latch enable (E) is HIGH. When E is LOW, the data that meets the set-up times is latched. The 3-state outputs are controlled by the output enable input \overline{EO} . A HIGH on

\overline{EO} causes the outputs to assume a high impedance OFF-state. The device features hysteresis on the E input to improve noise rejection. Schmitt-trigger action in the E input makes the circuit highly tolerant to slower input rise and fall times.

The HEF40373B is pin and functionally compatible with the TTL '373' device.

Supply voltage range: 3 to 15 V.



- HEF40373BP(N): 20-lead DIL; plastic (SOT146-1)
- HEF40373BD(F): 20-lead DIL; ceramic (cerdip) (SOT152)
- HEF40373BT(D): 20-lead SO; plastic (SOT163-1)
- (): Package Designator North America

PINNING

- D₀ to D₇ data inputs
- E latch enable input
- \overline{EO} output enable input (active LOW)
- O₀ to O₇ 3-state buffered outputs

FAMILY DATA, I_{DD} LIMITS category MSI

See Family Specifications

Octal transparent latch with 3-state outputs

HEF40373B
MSI

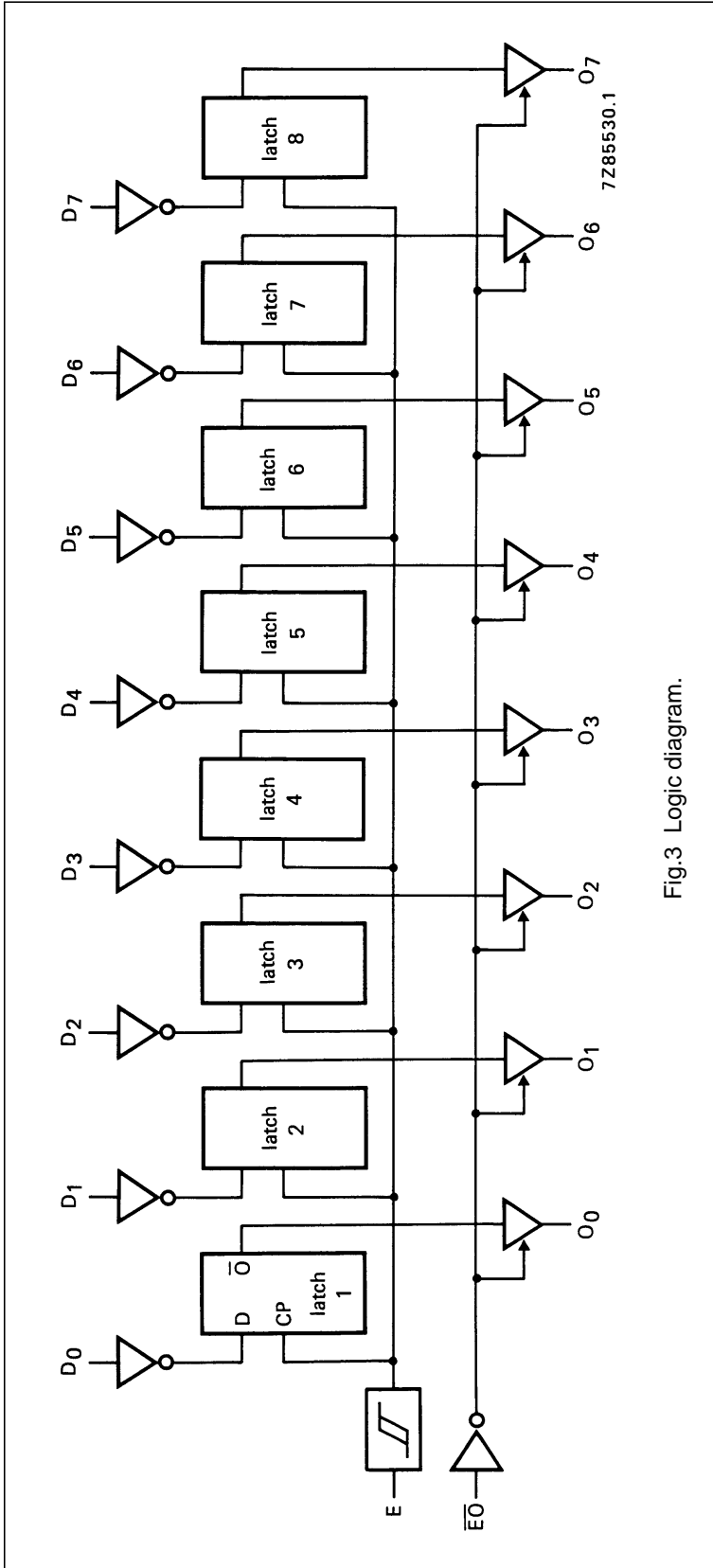


Fig.3 Logic diagram.

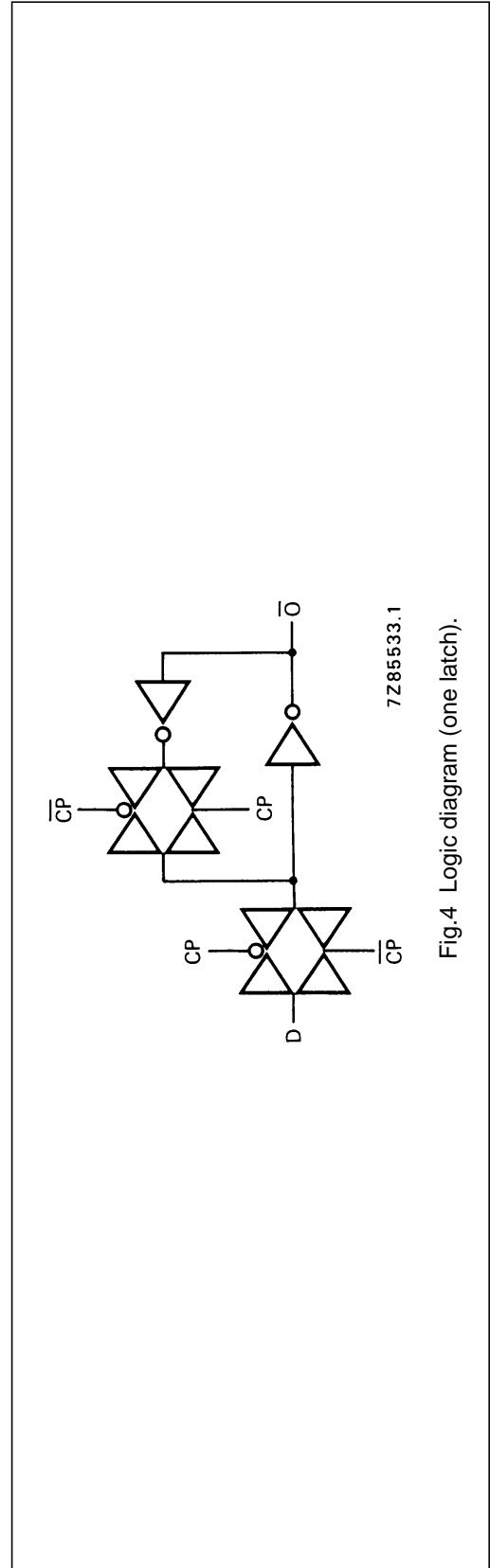


Fig.4 Logic diagram (one latch).

Octal transparent latch with 3-state outputs

HEF40373B
MSI

FUNCTION TABLE

OPERATING MODES	INPUTS			INTERNAL REGISTER	OUTPUTS O ₀ TO O ₇
	\overline{EO}	E	D _n		
enable & read register	L	H	L	L	L
	L	H	H	H	H
latch & read register	L	L	l	L	L
	L	L	h	H	H
latch register & disable outputs	H	L	l	L	Z
	H	L	h	H	Z

Notes

- H = HIGH state (the more positive voltage)
 h = HIGH state (one set-up time prior to the HIGH-to-LOW enable transition)
 L = LOW state (the less positive voltage)
 l = LOW state (one set-up time prior to the HIGH-to-LOW enable transition)
 Z = high impedance OFF-state

Octal transparent latch with 3-state outputs

HEF40373B
MSI

RATINGS

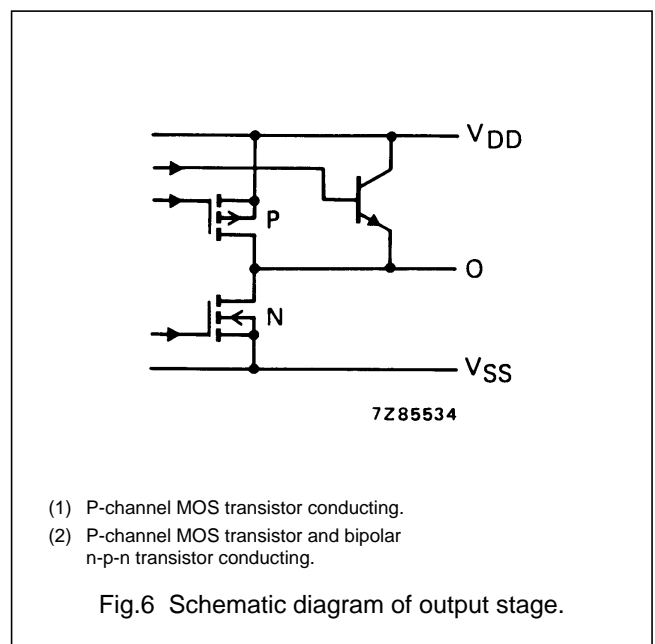
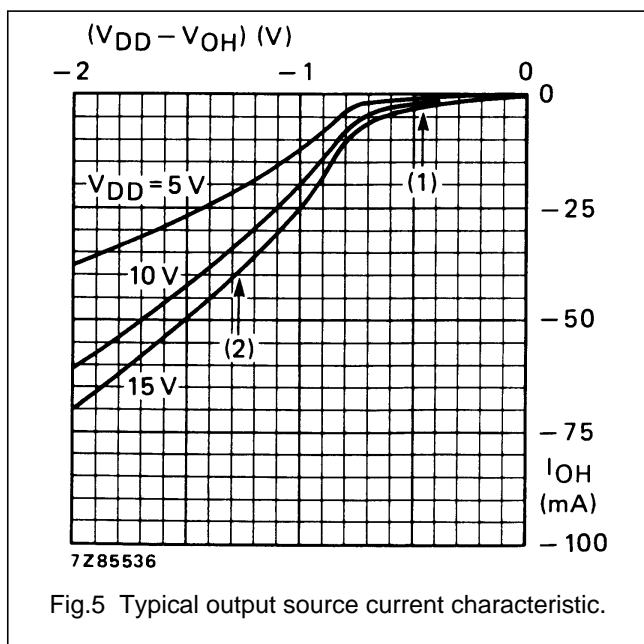
Limiting values in accordance with the Absolute Maximum System (IEC 134)
See Family Specifications, except for:

D.C. current into any input	$\pm I_I$	max.	10 mA
D.C. source or sink current into any output	$\pm I_O$	max.	25 mA
D.C. current into the supply terminals	$\pm I$	max.	100 mA

DC CHARACTERISTICS

$V_{SS} = 0 V$

	V_{DD} V	V_{OH} V	V_{OL} V	SYMBOL	$T_{amb} (^\circ C)$					
					-40		+ 25		+ 85	
					MIN.	TYP.	MIN.	TYP.	MIN.	TYP.
Output current HIGH	5	4,6		$-I_{OH}$	0,75	0,6	1,2	0,45	mA	
	10	9,5			1,85	1,5	3,0	1,1	mA	
	15	13,5			14,5	15	50	15,5	mA	
Output current HIGH	5	3,6		$-I_{OH}$	9,3	10	24	10,7	mA	
	10	8,4			14,4	15	46	15,0	mA	
	15	13,2			19,5	20	62	19,8	mA	
Output current LOW	5		0,4	I_{OL}	2,9	2,3	5,4	1,75	mA	
	10		0,5		9,5	7,6	17	5,50	mA	
	15		1,5		30,0	25	45	19,0	mA	
Hysteresis voltage at enable input (E)	5			V_H			220		mV	
	10						250		mV	
	15						320		mV	



Octal transparent latch with 3-state outputs

HEF40373B
MSI**AC CHARACTERISTICS** $V_{SS} = 0\text{ V}$; $T_{amb} = 25\text{ °C}$; $C_L = 50\text{ pF}$; input transition times $\leq 20\text{ ns}$

	V_{DD} V	SYMBOL	MIN.	TYP.	MAX.	TYPICAL EXTRAPOLATION FORMULA	
Propagation delays							
$E \rightarrow O_n$	5			150	300	ns	$138\text{ ns} + (0,24\text{ ns/pF}) C_L$
HIGH to LOW	10	t_{PHL}		60	120	ns	$59\text{ ns} + (0,01\text{ ns/pF}) C_L$
	15			40	80	ns	$36\text{ ns} + (0,07\text{ ns/pF}) C_L$
$E \rightarrow O_n$	5			125	250	ns	$122\text{ ns} + (0,06\text{ ns/pF}) C_L$
LOW to HIGH	10	t_{PLH}		50	100	ns	$48\text{ ns} + (0,03\text{ ns/pF}) C_L$
	15			40	80	ns	$39\text{ ns} + (0,02\text{ ns/pF}) C_L$
Output transition times	5			40	80	ns	see Fig.7
HIGH to LOW	10	t_{THL}		20	40	ns	
	15			15	30	ns	
LOW to HIGH	5			30	60	ns	
	10	t_{TLH}		20	40	ns	
	15			15	30	ns	
3-state propagation delays							
Output disable times							
$\overline{E}O \rightarrow O_n$	5			65	130	ns	see Fig.7
HIGH	10	t_{PHZ}		30	60	ns	
	15			25	50	ns	
LOW	5			75	150	ns	
	10	t_{PLZ}		40	80	ns	
	15			30	60	ns	
Output enable times							
$\overline{E}O \rightarrow O_n$	5			65	130	ns	see Fig.7
HIGH	10	t_{PZH}		30	60	ns	
	15			25	50	ns	
LOW	5			85	170	ns	
	10	t_{PZL}		35	70	ns	
	15			25	50	ns	
Set-up time	5		15	7		ns	see Fig.7
$D_n \rightarrow E$	10	t_{su}	10	5		ns	
	15		10	5		ns	
Hold time	5		25	15		ns	see Fig.7
$D_n \rightarrow E$	10	t_{hold}	15	4		ns	
	15		10	3		ns	
Minimum latch enable pulse width LOW	5		60	30		ns	see Fig.7
	10	t_{WEL}	30	15		ns	
	15		20	10		ns	

Octal transparent latch with 3-state outputs

HEF40373B
MSI

AC CHARACTERISTICS

V_{SS} = 0 V; T_{amb} = 25 °C; input transition times ≤ 20 ns

	V _{DD} V	TYPICAL FORMULA FOR P (μW)	
Dynamic power dissipation per package (P)	5	$3\,325 f_i + \sum (f_o C_L) \times V_{DD}^2$	where f _i = input freq. (MHz) f _o = output freq. (MHz) C _L = load capacitance (pF) ∑ (f _o C _L) = sum of outputs V _{DD} = supply voltage (V)
	10	$14\,200 f_i + \sum (f_o C_L) \times V_{DD}^2$	
	15	$37\,425 f_i + \sum (f_o C_L) \times V_{DD}^2$	

