

Ceramic High Pass Filter

NEW!
HFCN-2700

3150 to 7550 MHz

Maximum Ratings

Operating Temperature	-55°C to 100°C
Storage Temperature	-55°C to 100°C
RF Power Input*	7W max. at 25°C

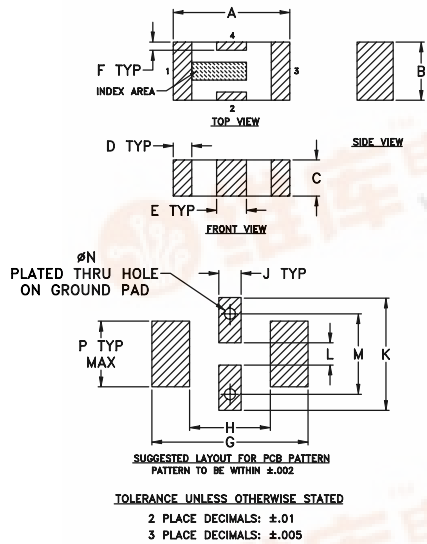
*Passband rating, derate linearly to 3W at 100°C ambient.

Pin Connections

RF IN	1**
RF OUT	3**
GROUND	2,4

**RF IN & RF OUT can be interchanged

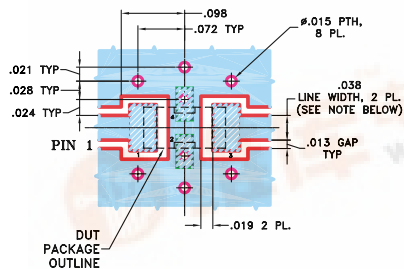
Outline Drawing



Outline Dimensions (inch/mm)

A	B	C	D	E	F	G	
.126	.063	.037	.020	.032	.009	.169	
3.20	1.60	0.94	0.51	0.81	0.23	4.29	
H	J	K	L	M	N	P	wt
.087	.024	.122	.024	.087	.012	.071	grams
2.21	0.61	3.10	0.61	2.21	0.30	1.80	.020

Demo Board MCL P/N: TB-270
Suggested PCB Layout (PL-137)



NOTE: 1. TRACE WIDTH IS SHOWN FOR ROGERS RO4350 WITH DIELECTRIC THICKNESS .020" ± .0015". COPPER: 1/2 OZ. EACH SIDE. FOR OTHER MATERIALS TRACE WIDTH MAY NEED TO BE MODIFIED.
2. BOTTOM SIDE OF THE PCB IS CONTINUOUS GROUND PLANE.

① DENOTES PCB COPPER LAYOUT
② DENOTES COPPER LAND PATTERN FREE OF SOLDERMASK

Features

- low cost
- small size
- 7 sections
- temperature stable
- dc block in/out, breakdown voltage, 1kV typ.
- excellent power handling, 7W

Applications

- sub-harmonic rejection and dc blocking
- transmitters/receivers
- lab use



BLUE CELL™

CASE STYLE: FV1206

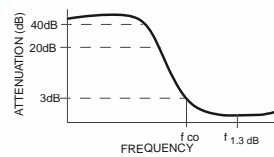
Model	Price	Qty.
HFCN-2700	\$1.99	(10-49)
HFCN-2700D	\$2.49	(10-49)

High Pass Filter Electrical Specifications¹ (T_{AMB}=25°C)

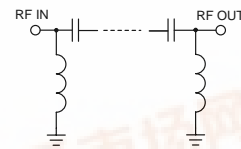
MODEL NO.	STOP BAND (MHz)		f _{co} , MHz Nom. Typ.	PASSBAND (MHz)		VSWR Typ. Frequency (MHz) 1.5:1	POWER INPUT (W)	NO. OF SECTIONS
	(loss>40 dB)	(loss>20 dB)		(loss<1.3 dB) Max.	(loss<2 dB) Typ.			
HFCN-2700	1500	1800	2500	3000-5700	2650-6500	20:1	2900-5500	7

1. For Applications requiring DC voltage to be applied to the Input or output, use HFCN-2700D (DC Resistance to ground is 100 Mohms min.)

typical frequency response

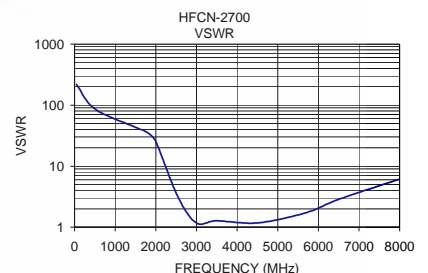
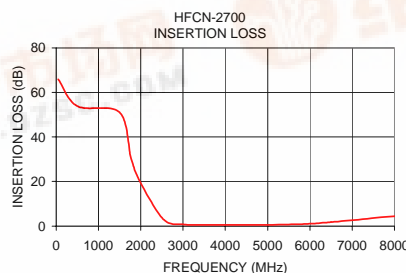


schematic



Typical Performance Data at 25°C

Frequency (MHz)	Insertion Loss (dB)	VSWR (:1)
50.00	65.94	217.15
500.00	53.84	86.86
1500.00	51.07	43.44
1775.00	30.32	36.20
2000.00	19.40	25.56
2540.00	3.04	3.22
3000.00	0.78	1.18
3500.00	0.60	1.27
4500.00	0.48	1.18
5700.00	0.81	1.73
6500.00	1.78	2.86
8100.00	4.67	6.46



designers kit available

Kit No.	No. of Units in Kit	Description	Price \$ per Kit
K1-HFCN	40	5 of each: HFCN-650,-740,-1200,-1500,-1760,-2000,-2275,-2700	79.95