

HM62832UH Series

256 k High Speed SRAM (32-kword × 8-bit)

HITACHI

Features

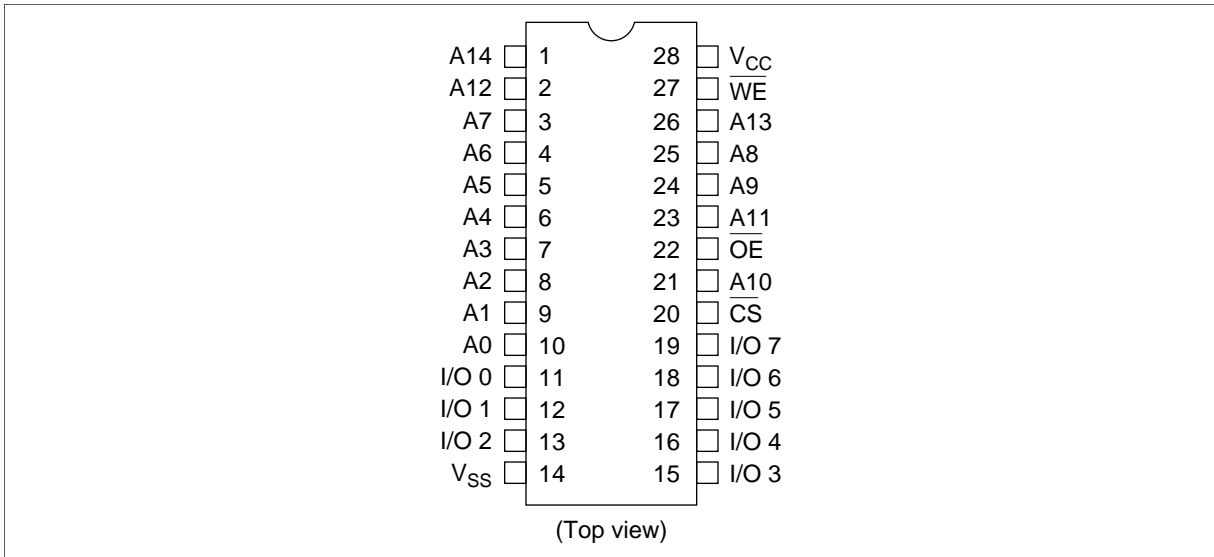
- High speed: Fast access time 15/20 ns (max)
- Low Power
Standby: 15 μ W (typ) (L-version)
Operation: 675/600 mW (typ)
- Single 5 V supply
- Completely static memory
No clock or timing strobe required
- Equal access and cycle times
- Common data input and output: Three state output
- Directly TTL compatible: All inputs and outputs

Ordering Information

Type No.	Access Time	Package
HM62832UHP-15	15 ns	300-mil 28-pin plastic DIP (DP-28NA)
HM62832UHP-20	20 ns	
HM62832UHLP-15	15 ns	
HM62832UHLP-20	20 ns	
HM62832UHJP-15	15 ns	300-mil 28-pin plastic SOJ (CP-28DN)
HM62832UHJP-20	20 n	
HM62832UHLJP-15	15 ns	
HM62832UHLJP-20	20 ns	

HM62832UH Series

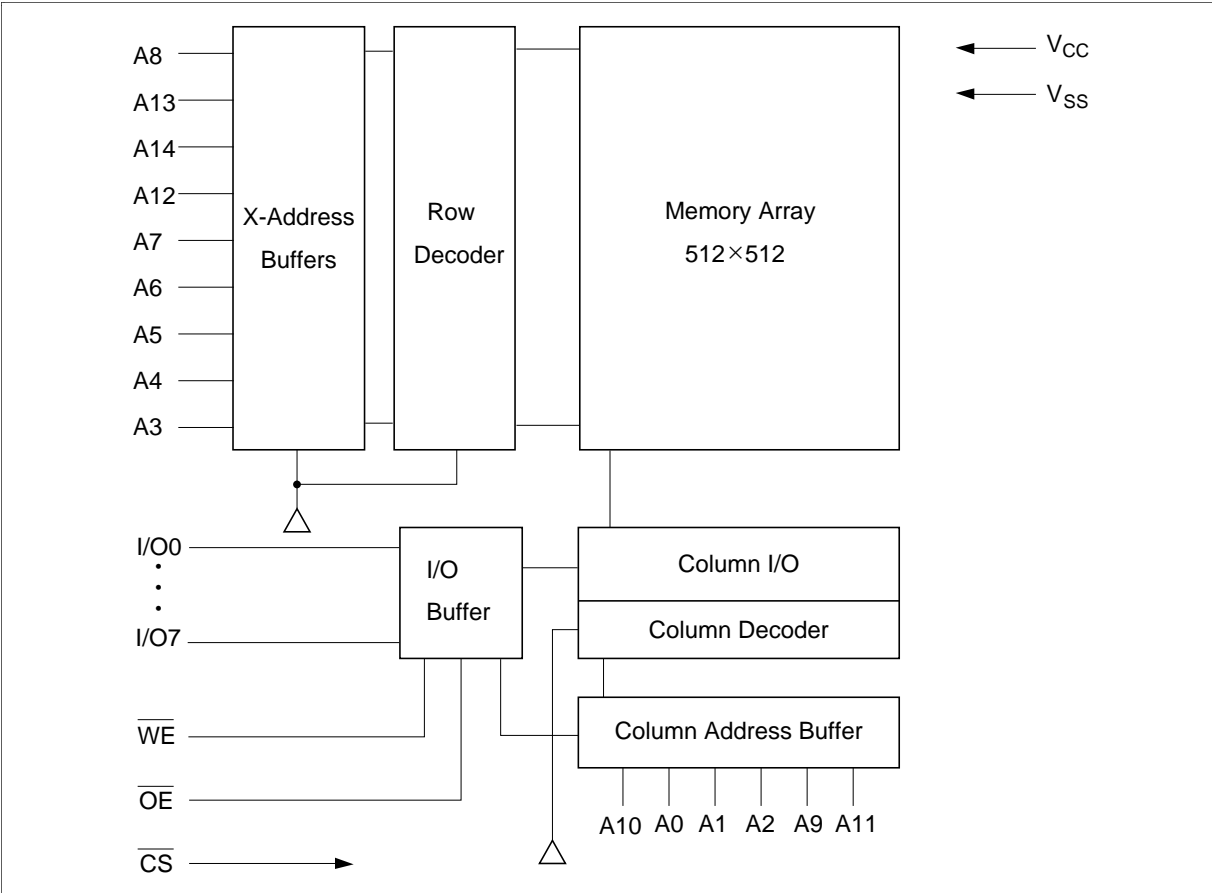
Pin Arrangement



Pin Description

Pin name	Function
A0 – A14	Address
I/O0 – I/O7	Input/output
$\overline{\text{CS}}$	Chip select
$\overline{\text{WE}}$	Write enable
$\overline{\text{OE}}$	Output enable
V_{CC}	Power supply
V_{SS}	Ground

Block Diagram



Function Table

\overline{CS}	\overline{OE}	\overline{WE}	Mode	V_{CC} Current	I/O Pin	Ref. Cycle
H	X	X	Standby	I_{SB}, I_{SB1}	High-Z	
L	L	H	Read	I_{CC}	Dout	Read cycle 1, 2, 3
L	H	L	Write	I_{CC}	Din	Write cycle 1
L	L	L	Write	I_{CC}	Din	Write cycle 2

Note: X : H or L

HM62832UH Series

Absolute Maximum Ratings

Parameter	Symbol	Value	Unit
Supply voltage ¹	V_{CC}	-0.5 ² to +7.0	V
Voltage on any pin relative to V_{SS} ¹	V_T	-0.5 ² to $V_{CC} + 0.5$	V
Power dissipation	P_T	1.0	W
Operating temperature	T_{opr}	0 to +70	°C
Storage temperature	T_{stg}	-55 to +125	°C
Storage temperature under bias	T_{bias}	-10 to +85	°C

Notes: 1. With respect to V_{SS}

2. V_{CC} and V_T min = -2.5 V for pulse width ≤ 10 ns

Recommended DC Operating Conditions ($T_a = 0$ to +70°C)

Parameter	Symbol	Min	Typ	Max	Unit
Supply voltage	V_{CC}	4.5	5.0	5.5	V
	V_{SS}	0	0	0	V
Input high (logic 1) voltage	V_{IH}	2.2	—	$V_{CC} + 0.5$	V
Input low (logic 0) voltage	V_{IL}	-0.5 ¹	—	0.8	V

Note: 1. V_{IL} min = -2.0 V for pulse width ≤ 10 ns

HM62832UH Series

DC Characteristics (Ta = 0 to +70°C, V_{CC} = 5 V ± 10%, V_{SS} = 0 V)

Parameter	Symbol	Min	Typ ¹	Max	Unit	Test Conditions
Input leakage current	I _{IL}	—	—	2.0	μA	V _{CC} = 5.5 V V _{in} = V _{SS} to V _{CC}
Output leakage current	I _{LO}	—	—	2.0	μA	$\overline{CS} = V_{IH}$ V _{IO} = V _{SS} to V _{CC}
Operating V _{CC} current	I _{CC1} (-15) ³	—	135	170	mA	min cycle ²
	I _{CC2} (-15)	—	100	120	mA	2x min cycle
	I _{CC1} (-20)	—	120	150	mA	min cycle
	I _{CC2} (-20)	—	90	110	mA	2x min cycle
Standby V _{CC} current	I _{SB} (-15)	—	40	60	mA	$\overline{CS} = V_{IH}$, min cycle
	I _{SB} (-20)	—	30	50	mA	
Standby V _{CC} current (1)	I _{SB1} (L-version)	—	0.02	2.0	mA	$\overline{CS} \geq V_{CC} - 0.2$ V 0 V ≤ V _{in} ≤ 0.2 V or V _{CC} - 0.2 V ≤ V _{in}
		—	0.003	0.1		
Output low voltage	V _{OL}	—	—	0.4	V	I _{OL} = 8 mA
Output high voltage	V _{OH}	2.4	—	—	V	I _{OH} = -4.0 mA

Notes: 1. Typical values are at V_{CC} = 5.0 V, Ta = 25°C and not guaranteed.

2. $\overline{CS} = V_{IL}$, I_{out} = 0 mA

3. Access time version

Capacitance (Ta = 25°C, f = 1.0 MHz)^{*1}

Parameter	Symbol	Min	Typ	Max	Unit	Test Conditions
Input capacitance	C _{in}	—	—	6	pF	V _{in} = 0 V
Output capacitance	C _{out}	—	—	10	pF	V _{IO} = 0 V

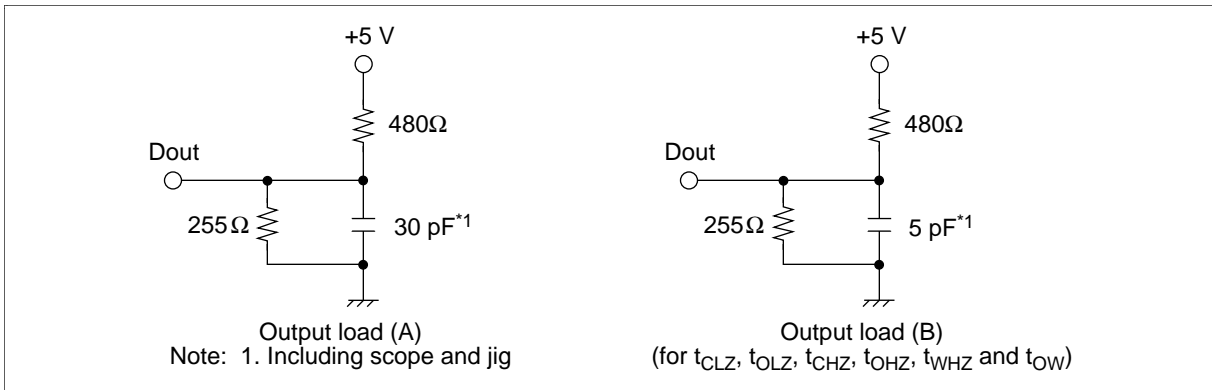
Note: 1. This parameter is sampled and not 100% tested.

HM62832UH Series

AC Characteristics ($T_a = 0$ to $+70^\circ\text{C}$, $V_{CC} = 5\text{ V} \pm 10\%$, unless otherwise noted.)

Test Conditions

- Input pulse levels: V_{SS} to 3.0 V
- Input rise and fall time: 4 ns
- Input and Output timing reference levels: 1.5 V
- Output load: See figures

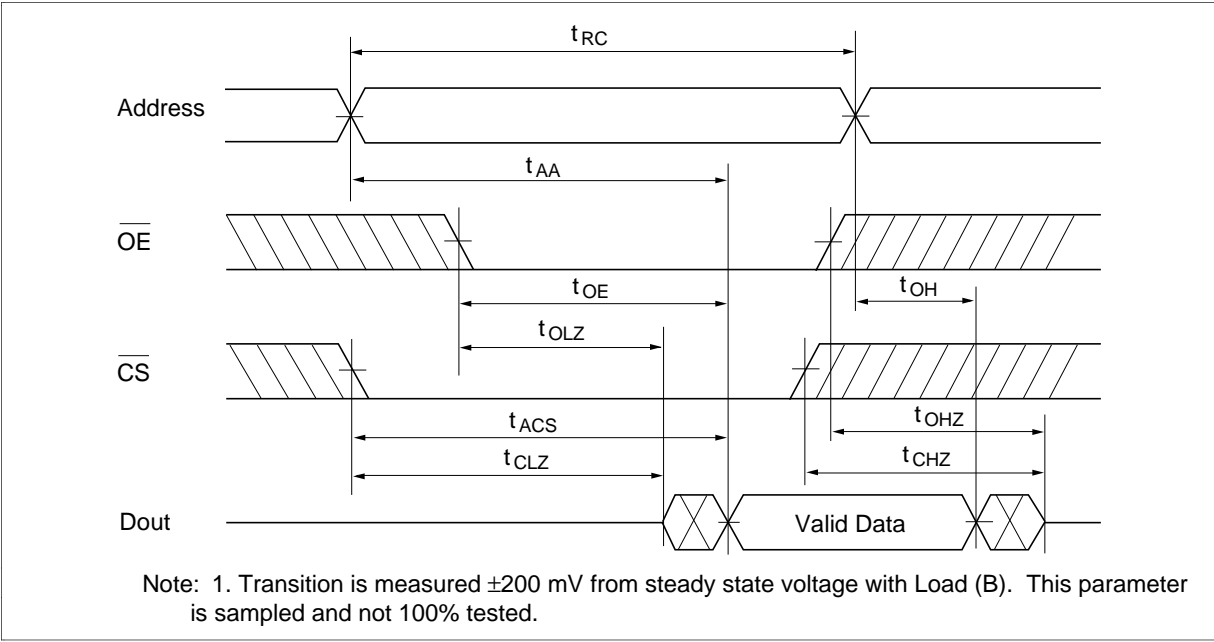


Read Cycle

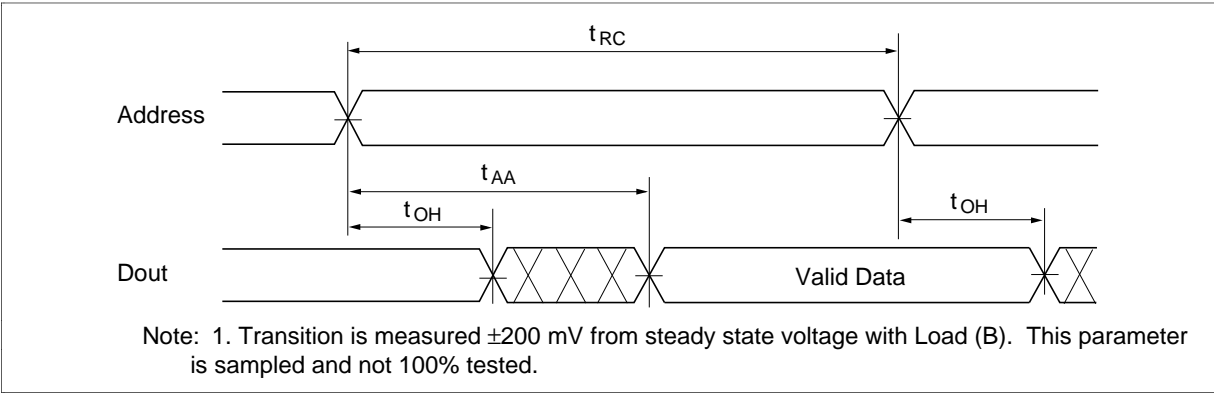
Parameter	Symbol	HM62832UH-15		HM62832UH-20		Unit
		Min	Max	Min	Max	
Read cycle time	t_{RC}	15	—	20	—	ns
Address access time	t_{AA}	—	15	—	20	ns
Chip select access time	t_{ACS}	—	15	—	20	ns
Chip selection to output in low-Z	t_{CLZ}^{*1}	3	—	3	—	ns
Output enable to output valid	t_{OE}	—	8	—	10	ns
Output enable to output in low-Z	t_{OLZ}^{*1}	0	—	0	—	ns
Chip deselection to output in high-Z	t_{CHZ}^{*1}	0	7	0	10	ns
Chip disable to output in high-Z	t_{OHZ}^{*1}	0	7	0	10	ns
Output hold from address change	t_{OH}	3	—	3	—	ns

Note: 1. Transition is measured ± 200 mV from steady state voltage with Load (B). This parameter is sampled and not 100% tested.

Read Timing Waveform (1)*1 ($\overline{WE} = V_{IH}$)

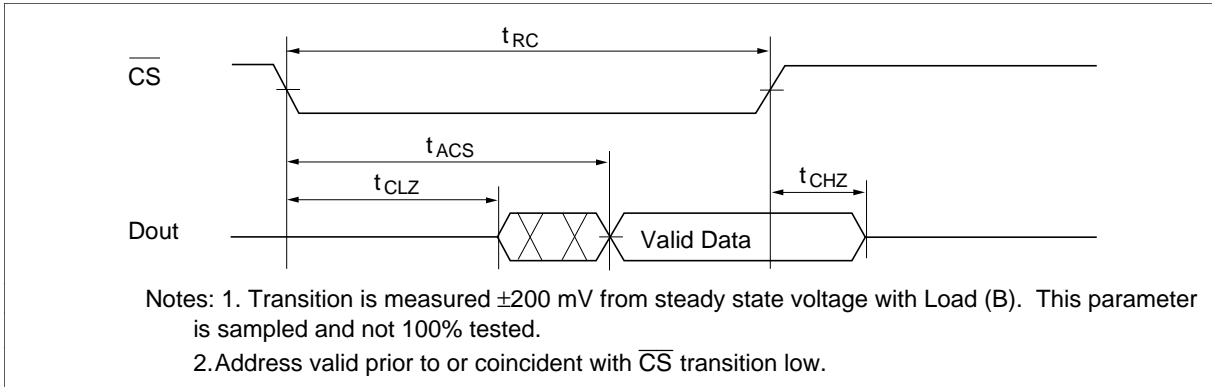


Read Timing Waveform (2)*1 ($\overline{WE} = V_{IH}, \overline{CS} = V_{IL}, \overline{OE} = V_{IL}$)



HM62832UH Series

Read Timing Waveform (3) ^{*1, *2} ($\overline{WE} = V_{IH}$, $\overline{OE} = V_{IL}$)

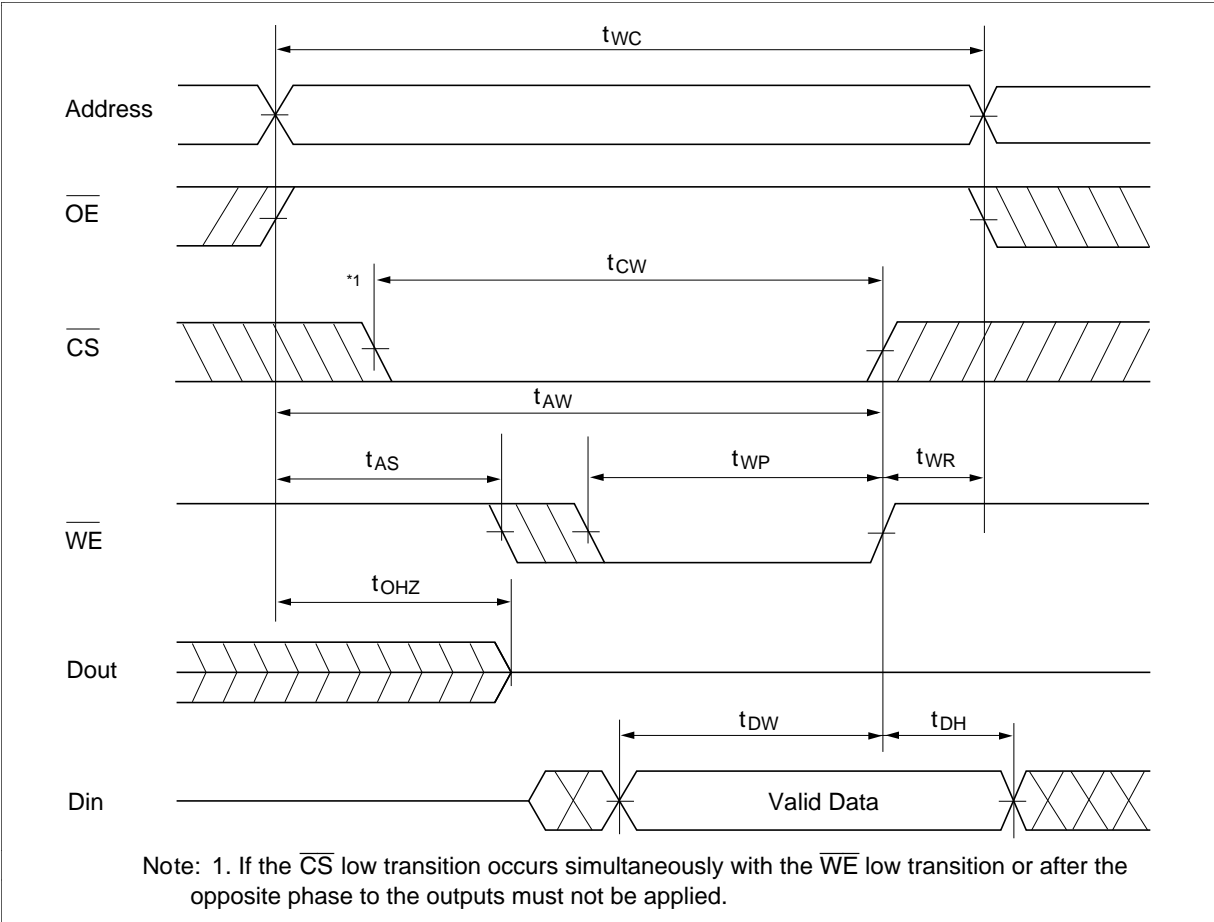


Write Cycle

Parameter	Symbol	HM62832UH-15		HM62832UH-20		Unit
		Min	Max	Min	Max	
Write cycle time	t_{WC}	15	—	20	—	ns
Chip selection to end of write	t_{CW}	10	—	12	—	ns
Address valid to end of write	t_{AW}	13	—	15	—	ns
Address setup time	t_{AS}	0	—	0	—	ns
Write pulse width ²	t_{WP}	10	—	12	—	ns
Write recovery time ³	t_{WR}	0	—	0	—	ns
Output disable to output in high-Z ^{1, 4}	t_{OHZ}	0	7	0	10	ns
Write to output in high-Z ^{1, 4}	t_{WHZ}	0	7	0	10	ns
Data to write time overlap	t_{DW}	8	—	10	—	ns
Data hold from write time ⁶	t_{DH}	0	—	0	—	ns
Output active from end of write ^{1, 6}	t_{OW}	3	—	3	—	ns
Output hold from address change ⁵	t_{OH}	3	—	3	—	ns

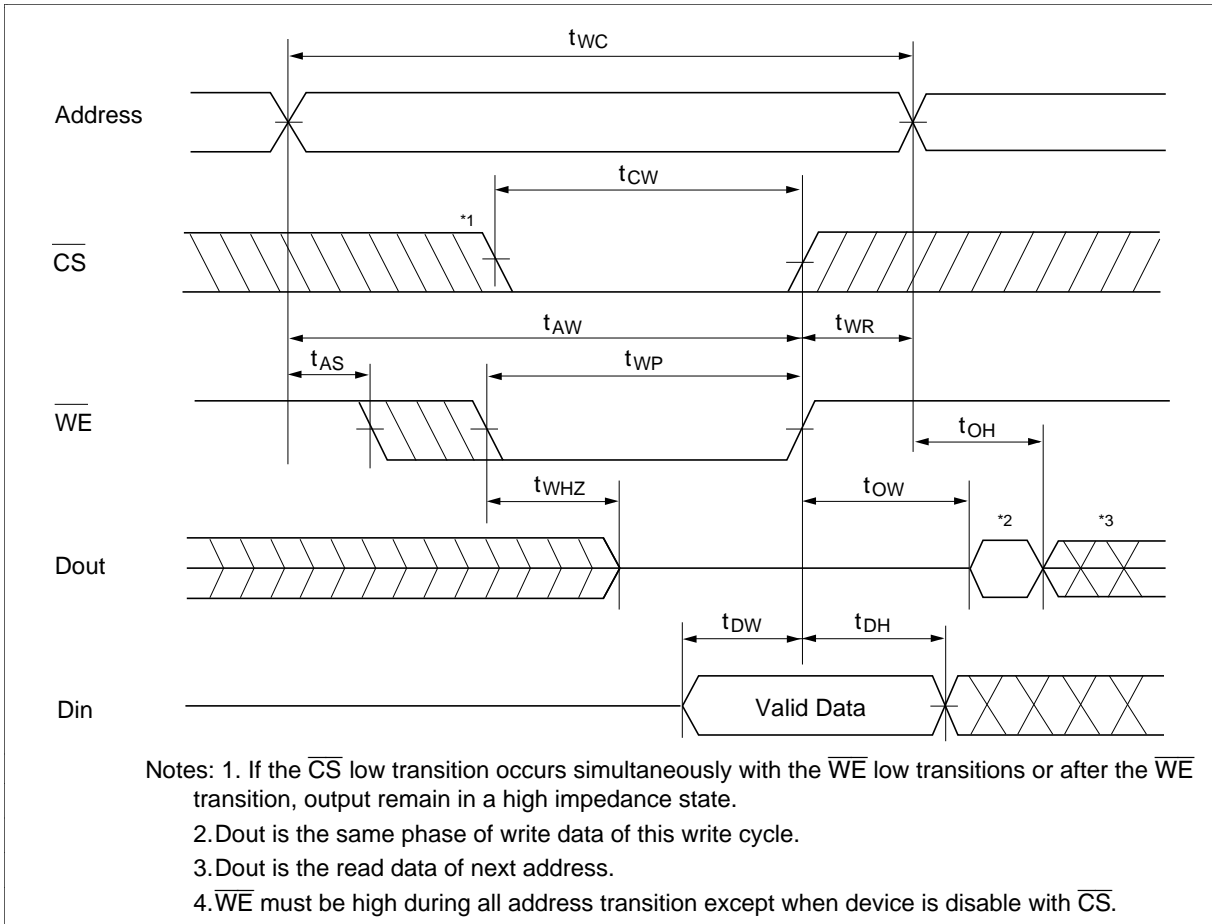
- Notes: 1. Transition is measured ± 200 mV from high impedance voltage with Load (B). This parameter is sampled and not 100% tested.
2. A write occurs during the overlap (t_{WP}) to a low \overline{CS} and a low \overline{WE} .
3. t_{WR} is measured from the earliest of \overline{CS} or \overline{WE} going high to the end of write cycle.
4. During this period, I/O pins are in the output state so that the input signals of the opposite phase to the outputs must not be applied.
5. Dout is the same phase of write data of this write cycle.
6. If \overline{CS} is low during this period, I/O pins are in the output state. Then the data input signals of opposite phase to the outputs must not be applied to them.

Write Timing Waveform (1)



HM62832UH Series

Write Timing Waveform (2) ($\overline{\text{OE}}$ low Fixed)^{*4}



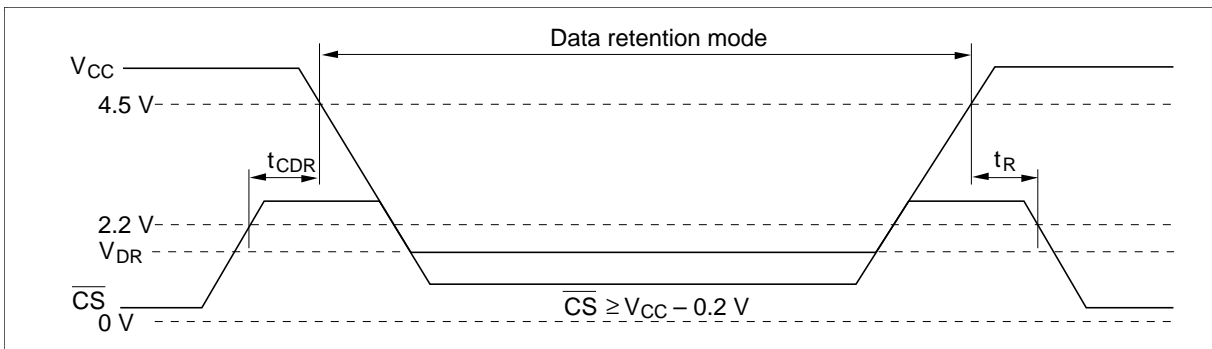
Low V_{CC} Data Retention Characteristics ($T_a = 0$ to $+70^\circ\text{C}$)

This characteristics is guaranteed only for L-version.

Parameter	Symbol	Min	Typ	Max	Unit	Test Conditions
V_{CC} for data retention	V_{DR}	2	—	—	V	$\overline{CS} \geq V_{CC} - 0.2\text{V}$, $V_{in} \geq V_{CC} - 0.2\text{V}$ or $0\text{V} < V_{in} \leq 0.2\text{V}$
Data retention current	I_{CCDR}	—	2	50^{*1}	μA	
Chip deselect to data retention time	t_{CDR}	0	—	—	ns	
Operation recovery time	t_R	5	—	—	ms	

Note: 1. $V_{CC} = 3.0\text{V}$

Low V_{CC} Data Retention Timing Waveform

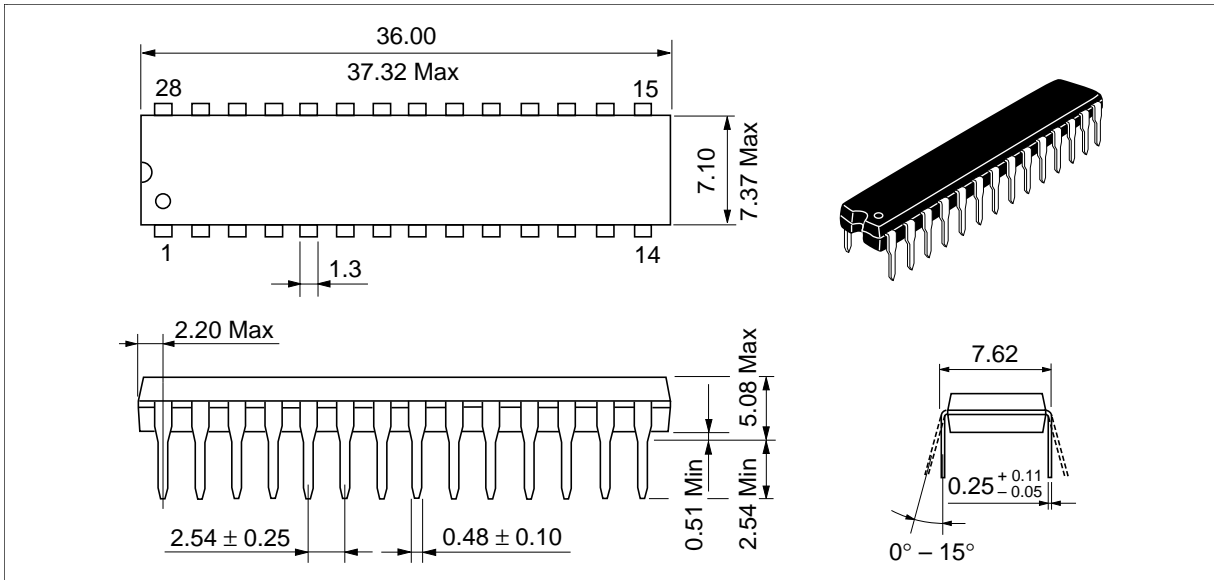


HM62832UH Series

Package Dimensions

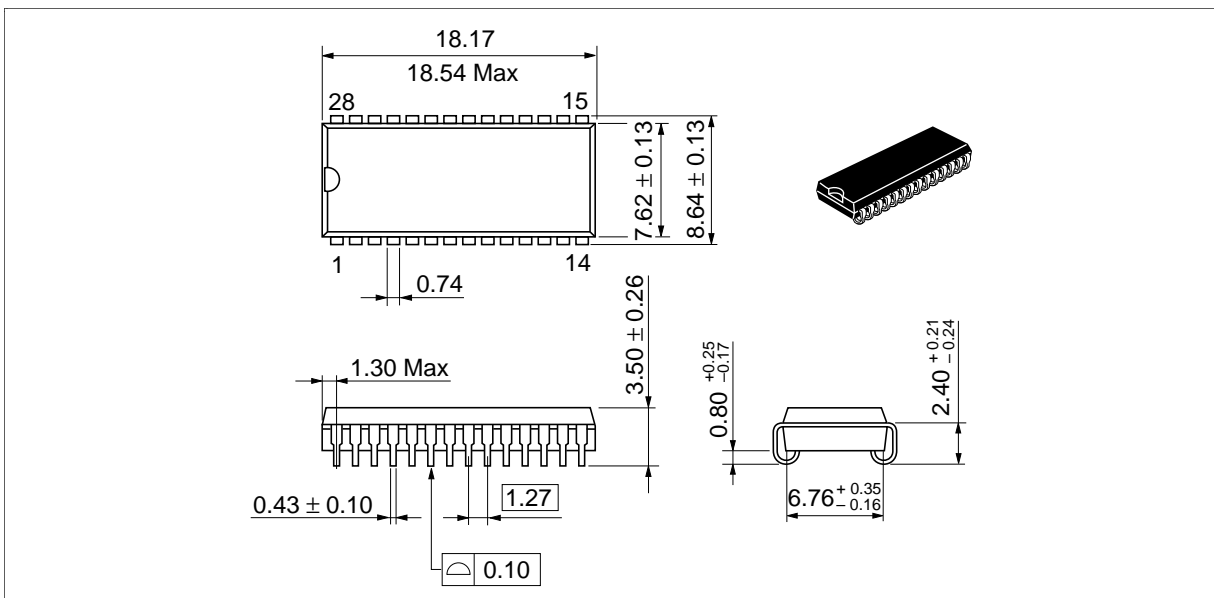
HM62832UHP/UHLP Series (DP-28NA)

Unit: mm



HM62832UHJP/UHLJP Series (CP-28DN)

Unit: mm



When using this document, keep the following in mind:

1. This document may, wholly or partially, be subject to change without notice.
2. All rights are reserved: No one is permitted to reproduce or duplicate, in any form, the whole or part of this document without Hitachi's permission.
3. Hitachi will not be held responsible for any damage to the user that may result from accidents or any other reasons during operation of the user's unit according to this document.
4. Circuitry and other examples described herein are meant merely to indicate the characteristics and performance of Hitachi's semiconductor products. Hitachi assumes no responsibility for any intellectual property claims or other problems that may result from applications based on the examples described herein.
5. No license is granted by implication or otherwise under any patents or other rights of any third party or Hitachi, Ltd.
6. **MEDICAL APPLICATIONS:** Hitachi's products are not authorized for use in **MEDICAL APPLICATIONS** without the written consent of the appropriate officer of Hitachi's sales company. Such use includes, but is not limited to, use in life support systems. Buyers of Hitachi's products are requested to notify the relevant Hitachi sales offices when planning to use the products in **MEDICAL APPLICATIONS**.

HITACHI

Hitachi, Ltd.

Semiconductor & IC Div.
Nippon Bldg., 2-6-2, Ohte-machi, Chiyoda-ku, Tokyo 100, Japan
Tel: Tokyo (03) 3270-2111
Fax: (03) 3270-5109

For further information write to:

Hitachi America, Ltd.
Semiconductor & IC Div.
2000 Sierra Point Parkway
Brisbane, CA. 94005-1835
U S A
Tel: 415-589-8300
Fax: 415-583-4207

Hitachi Europe GmbH
Electronic Components Group
Continental Europe
Dornacher Straße 3
D-85622 Feldkirchen
München
Tel: 089-9 91 80-0
Fax: 089-9 29 30 00

Hitachi Europe Ltd.
Electronic Components Div.
Northern Europe Headquarters
Whitebrook Park
Lower Cookham Road
Maidenhead
Berkshire SL6 8YA
United Kingdom
Tel: 0628-585000
Fax: 0628-778322

Hitachi Asia Pte. Ltd.
16 Collyer Quay #20-00
Hitachi Tower
Singapore 0104
Tel: 535-2100
Fax: 535-1533

Hitachi Asia (Hong Kong) Ltd.
Unit 706, North Tower,
World Finance Centre,
Harbour City, Canton Road
Tsim Sha Tsui, Kowloon
Hong Kong
Tel: 27359218
Fax: 27306071