

Programmable Data Buffer

The HSP9501 is a 10-Bit wide programmable data buffer designed for use in high speed digital systems. Two different modes of operation can be selected through the use of the MODSEL input. In the delay mode, a programmable data pipeline is created which can provide 2 to 1281 clock cycles of delay between the input and output data. In the data recirculate mode, the output data path is internally routed back to the input to provide a programmable circular buffer.

The length of the buffer or amount of delay is programmed through the use of the 11-bit Length Control Input Port (LC0-10) and the Length Control Enable ($\overline{\text{LCEN}}$). An 11-bit value is applied to the LC0-10 inputs, $\overline{\text{LCEN}}$ is asserted, and the next selected clock edge loads the new count value into the Length Control Register. The delay path of the HSP9501 consists of two registers with a programmable delay RAM between them, therefore, the value programmed into the Length Control Register is the desired length - 2. The range of values which can be programmed into the Length Control Register are from 0 to 1279, which in turn results in an overall range of programmable delays from 2 to 1281.

Clock select logic is provided to allow the use of a positive or negative edge system clock as the CLK input to the HSP9501. The active edge of the CLK input is controlled through the use of the CLKSEL input. All synchronous timing (i.e., data setup, hold, and output delays) are relative to the clock edge selected by CLKSEL. An additional clock enable input ($\overline{\text{CLKEN}}$) provides a means of disabling the internal clock and holding the existing contents temporarily. All outputs of the HSP9501 are three-state outputs to allow direct interfacing to system or multi-use busses.

The HSP9501 is recommended for digital video processing or any applications which require a programmable delay or circular data buffer.

Features

- DC to 32MHz Operating Frequency
- Programmable Buffer Length from 2 to 1281 Words
- Supports Data Words to 10-Bits
- Clock Select Logic for Positive or Negative Edge System Clocks
- Data Recirculate or Delay Modes of Operation
- Expandable Data Word Width or Buffer Length
- Three-State Outputs
- TTL Compatible Inputs/Outputs
- Low Power CMOS

Applications

- Sample Rate Conversion
- Data Time Compression/Expansion
- Software Controlled Data Alignment
- Programmable Serial Data Shifting
- Audio/Speech Data Processing Video/Image Processing

Video/Image Processing

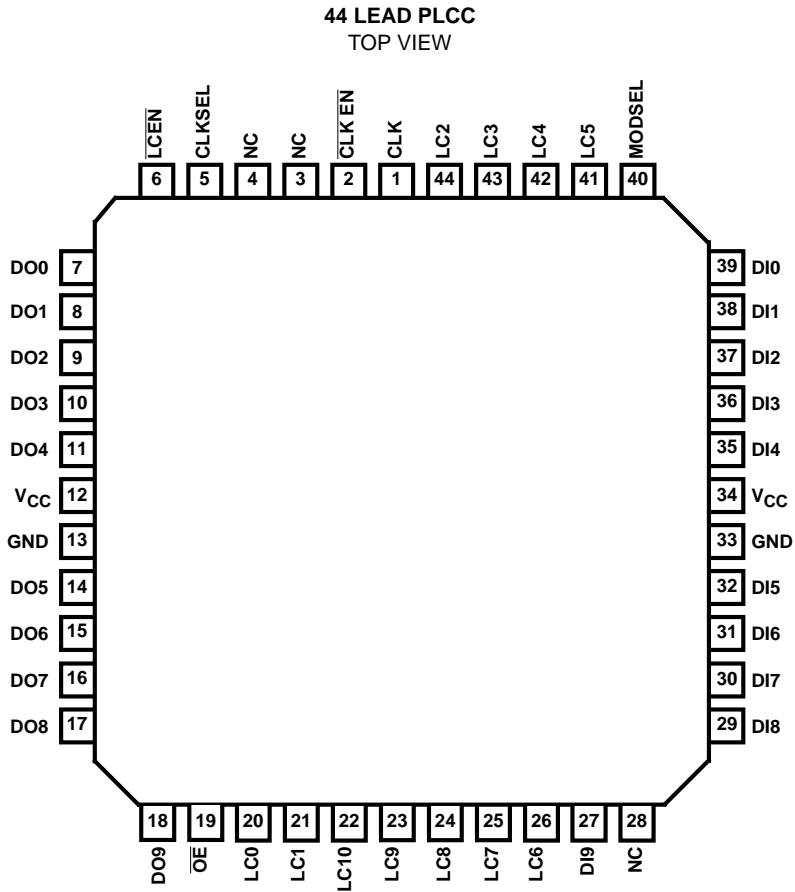
- 1-H Delay Line of 910 NTSC, 1135 PAL or 1280 Samples:
 - High Resolution Monitor Delay Line
 - Comb Filter Designs
 - Progressive Scanning Display
 - TV Standards Conversion
 - Image Processing

Ordering Information

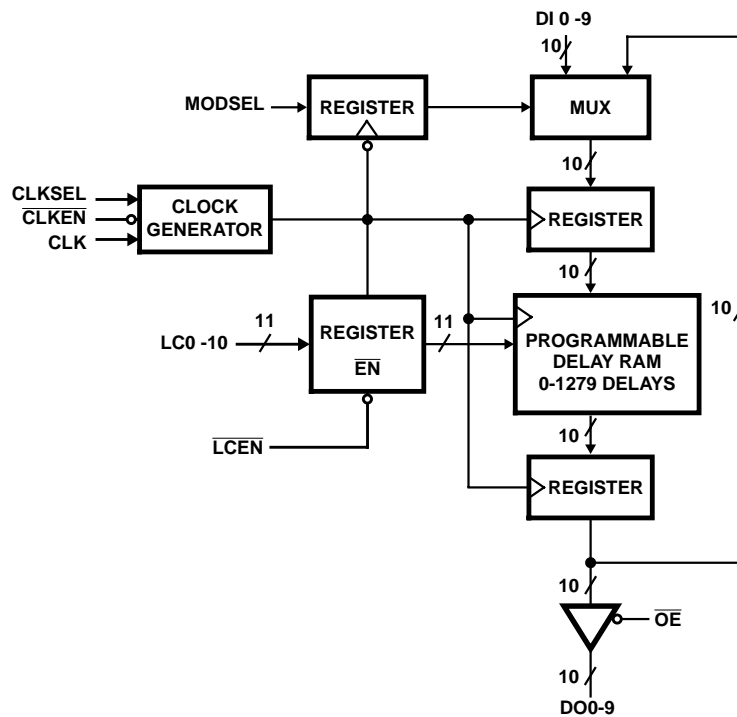
PART NUMBER	TEMP. RANGE (°C)	PACKAGE	PKG. NO.
HSP9501JC-25	0 to 70	44 Ld PLCC	N44.65
HSP9501JC-32	0 to 70	44 Ld PLCC	N44.65
HSP9501JC-2596	0 to 70	44 Ld PLCC Tape and Reel	N44.65

HSP9501

Pinout



Block Diagram



HSP9501

Pin Descriptions

NAME	PIN NUMBER	TYPE	DESCRIPTION
V _{CC}	12, 34		The +5V power supply pin. A 0.1μF capacitor between the V _{CC} and GND pin is recommended.
GND	13, 33		The device ground.
CLK	1	I	Input Clock. This clock signal is used to control the data movement through the programmable buffer. It is also the signal which latches the input data, length control word and mode select. Input setup and hold times with respect to the clock must be met for proper operation.
DIO-9	27, 29-32, 35-39	I	Data Inputs. This 10-bit input port is used to provide the input data. When MODSEL is low, data on the DIO-9 inputs is latched on the clock edge selected by CLKSEL.
DO0-9	7-11, 14-18	O	Data Outputs. This 10-bit port provides the output data from the Internal Delay Registers. Data latched into the DIO-9 inputs will appear at the DO0-9 outputs on the Nth clock cycle, where N is the total delay programmed.
LC0-10	20-26, 41-44	I	Length Control Inputs. These inputs are used to specify the number of clock cycles of delay between the DIO-9 inputs and the DO0-9 outputs. An integer value between 0 and 1279 is placed on the LC0-10 inputs, and the total delay length (N) programmed is the LC0-10 value plus 2. In order to properly load an active length control word, the value must be presented to the LC0-10 inputs and LCEN must be asserted during an active clock edge selected by CLKSEL.
$\overline{\text{LCEN}}$	6	I	Length Control Enable. $\overline{\text{LCEN}}$ is used in conjunction with LC0-10 and CLK to load a new length control word. An 11-bit value is loaded on the LC0-10 inputs, $\overline{\text{LCEN}}$ is asserted, and the next selected clock edge will load the new count value. Since this operation is synchronous, $\overline{\text{LCEN}}$ must meet the specified setup/hold times with respect to CLK for proper operation.
$\overline{\text{OE}}$	19	I	Output Enable. This input controls the state of the DO0-9 output port. A low on this control line enables the port for output. When $\overline{\text{OE}}$ is high, the output drivers are in the high impedance state. Internal latching or transfer of data is not affected by this input.
MODSEL	40	I	Mode Select. This input is used to control the mode of operation of the HSP9501. A low on MODSEL causes the device to latch new data at the DIO-9 inputs on every clock cycle, and operate as a programmable pipeline register. When MODSEL is high, the HSP9501 is in the recirculate mode, and will operate as a programmable length circular buffer. This control signal may be used in a synchronous fashion during device operation, however, care must be taken to ensure the required setup/hold times with respect to CLK are met.
CLKSEL	5	I	Clock Select Control. This input is used to determine which edge of the CLK signal is used for controlling all internal events. A low on CLKSEL selects the negative going edge, therefore, all setup, hold, and output delay times are with respect to the negative edge of CLK. When CLKSEL is high, the positive going edge is selected and all synchronous timing is with respect to the positive edge of the CLK signal.
$\overline{\text{CLKEN}}$	2	I	Clock Enable. This control signal can be used to enable or disable the CLK input. When low, the CLK input is enabled and will operate in a normal fashion. A high on $\overline{\text{CLKEN}}$ will disable the CLK input and will "hold" all internal operations and data. This control signal may also be used in a synchronous fashion, however, setup and hold requirements with respect to CLK must be met for proper device operation. This signal takes effect on the clock following the one that latches it in.

HSP9501

Functional Description

The HSP9501 is a 10-bit wide programmable length data buffer. The length of delay is programmable from 2 to 1281 delays in single delay increments.

Data into the delay line may be selected from the data input bus (DI0-9) or as recirculated output, depending on the state of the mode select (MODSEL) control input.

Mode Select

The MODSEL control pin selects the source of the data moving into the delay line. When MODSEL is low, the data input bus (DI0-9) is the source of the data. When MODSEL is high, the output of the HSP9501 is routed back to the input to form a circular buffer.

The MODSEL control line is latched at the input by the CLK signal. The edge which latches this control signal is determined by the CLKSEL control line. In either case, the MODSEL line is latched on one edge of the CLK signal with the following edge moving data into and through the HSP9501. Refer to the functional timing waveforms for specific timing references.

Clock Select Logic

The clock select logic is provided to allow the use of positive or negative edge system clocks. The active edge of the CLK input to the HSP9501 is controlled through the use of the CLKSEL input.

When CLKSEL is low, the negative going edge of CLK is used to control all internal operations. A high on CLKSEL selects the positive going edge of CLK.

All synchronous timing (i.e., setup, hold and output propagation delay times are relative to the CLK edge

selected by CLKSEL. Functional timing waveforms for each state of CLKSEL are provided (refer to Timing Waveforms for details).

Delay Path Control

The HSP9501 buffer length is programmable from 2 to 1281 data words in one word increments. The minimum number of delays which can be programmed is two, consisting of the input and Output Buffer Registers only.

The length control inputs (LC0-10) are used to set the length of the programmable delay ram which can vary in length from 0 to 1279. The total length of the HSP9501 data buffer will then be equal to the programmed value on LC0-10 plus 2. The programmed delay is established by the 11-bit integer value of the LC0-10 inputs with LC-10 as the MSB and LC0 as the LSB.

For example,

LC10	9	8	7	6	5	4	3	2	1	LC0
0	0	0	0	1	0	0	0	0	0	1

programs a length value of $2^6 + 2^0 = 65$. The total length of the delay will be $65 + 2$ or 67 delays.

Table 1 indicates several programming values. The decimal value placed on LC0-10 must not exceed 1279. Controlled operation with larger values is not guaranteed.

Values on LC0-10 are latched on the CLK edge selected by the CLKSEL control line, when \overline{LCEN} is active. LC0-10 and \overline{LCEN} must meet the specified setup and hold times relative to the selected CLK edge for proper device operation.

TABLE 1. LENGTH CONTROL PROGRAMMING EXAMPLES

LC10 2^{10}	LC9 2^9	LC8 2^8	LC7 2^7	LC6 2^6	LC5 2^5	LC4 2^4	LC3 2^3	LC2 2^2	LC1 2^1	LC0 2^0	PROGRAMMED LENGTH	TOTAL LENGTH N
0	0	0	0	0	0	0	0	0	0	0	0	2
0	0	0	0	1	1	1	0	1	1	0	118	120
0	1	1	0	0	1	0	1	0	0	0	808	810
1	0	0	0	0	0	1	1	0	0	1	1049	1051
1	0	0	1	1	1	1	1	1	1	1	1279	1281

HSP9501

Absolute Maximum Ratings

Supply Voltage +8.0V
 Input, Output or Voltage Applied GND -0.5V to V_{CC} +0.5V

Operating Conditions

Temperature Range 0°C to 70°C
 Voltage Range +4.75V to 5.25V

Thermal Information

Thermal Resistance (Typical, Note 1) θ_{JA} (°C/W)
 PLCC Package 45.2
 Maximum Junction Temperature 150°C
 Maximum Storage Temperature Range -65°C to 150°C
 Maximum Lead Temperature (Soldering 10s) 300°C
 (PLCC - Lead Tips Only)

CAUTION: Stresses above those listed in "Absolute Maximum Ratings" may cause permanent damage to the device. This is a stress only rating and operation of the device at these or any other conditions above those indicated in the operational sections of this specification is not implied.

NOTE:

1. θ_{JA} is measured with the component mounted on an evaluation PC board in free air.

DC Electrical Specifications $V_{CC} = 5.0V \pm 5\%$, $T_A = 0^\circ C$ to $70^\circ C$, Commercial

PARAMETER	SYMBOL	TEST CONDITIONS	MIN	MAX	UNITS
Logical One Input Voltage	V _{IH}	V _{CC} = 5.25V	2.0	-	V
Logical Zero Input Voltage	V _{IL}	V _{CC} = 4.75V	-	0.8	V
Output HIGH Voltage	V _{OH}	I _{OH} = -4mA V _{CC} = 4.75V	2.4	-	V
Output LOW Voltage	V _{OL}	I _{OL} = +4.0mA V _{CC} = 4.75V	-	0.4	V
Input Leakage Current	I _I	V _{IN} = GND or V _{CC} V _{CC} = 5.25V	-10	10	μA
Output Leakage Current	I _O	V _{OUT} = GND or V _{CC} = 5.25V	-10	10	μA
Standby Current	I _{CCSB}	V _{IN} = V _{CC} or GND, V _{CC} = 5.25V, Note 3	-	500	μA
Operating Power Supply Current	I _{CCOP}	f = 25MHz, V _{IN} = V _{CC} or GND V _{CC} = 5.25V, Notes 2, 3	-	125	mA
Input Capacitance	C _{IN}	FREQ = 1MHz, V _{CC} = Open, All measurements are referenced to device	-	10	pF
Output Capacitance	C _O	GND	-	10	pF

AC Electrical Specifications $V_{CC} = 5.0V \pm 5\%$, $T_A = 0^\circ C$ to $+70^\circ C$, Commercial, (Note 5)

PARAMETER	SYMBOL	-32		-25		UNITS	NOTES
		MIN	MAX	MIN	MAX		
Clock Period	t _{CP}	31	-	40	-	ns	-
Clock Pulse Width High	t _{PWH}	12	-	15	-	ns	-
Clock Pulse Width Low	t _{PWL}	12	-	-	15	ns	-
Data Input Setup Time	t _{DS}	10	-	12	-	ns	-
Data Input Hold Time	t _{DH}	2	-	2	-	ns	-
Output Enable Time	t _{ENA}	-	20	-	25	ns	-
Output Disable Time	t _{DIS}	-	24	-	25	ns	Note 4
\overline{CLKEN} to Clock Setup	t _{ES}	10	-	12	-	ns	-
\overline{CLKEN} to Clock Hold	t _{EH}	2	-	2	-	ns	-
LC0-10 Setup Time	t _{LS}	10	-	13	-	ns	-
LC0-10 Hold Time	t _{LH}	2	-	2	-	ns	-
\overline{LCEN} to Clock Setup	t _{LES}	10	-	13	-	ns	-
\overline{LCEN} to Clock Hold	t _{LEH}	2	-	2	-	ns	-

HSP9501

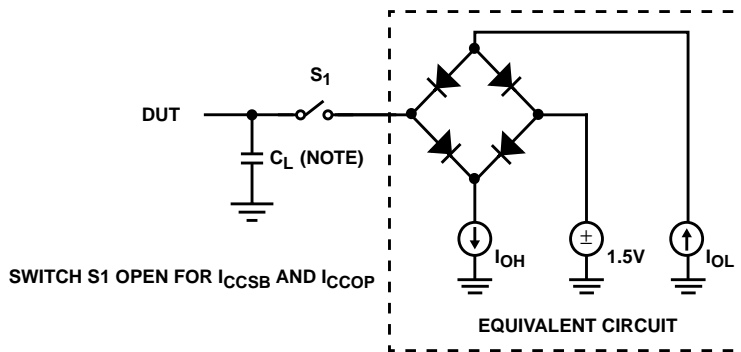
AC Electrical Specifications $V_{CC} = 5.0V \pm 5\%$, $T_A = 0^\circ C$ to $+70^\circ C$, Commercial, (Note 5) (Continued)

PARAMETER	SYMBOL	-32		-25		UNITS	NOTES
		MIN	MAX	MIN	MAX		
MODSEL Setup Time	t_{MS}	10	-	13	-	ns	-
MODSEL Hold Time	t_{MH}	2	-	2	-	ns	-
Clock to Data Out	T_{OUT}	-	16	-	22	ns	-
Output Hold from Clock	T_{OH}	4	-	4	-	ns	-
Rise, Fall Time	T_{RF}	-	6	-	6	ns	Note 4

NOTES:

2. Power supply current is proportional to operating frequency. Typical rating for I_{CCOP} is 5mA/MHz.
3. Output load per test load circuit with switch open and $C_L = 40pF$.
4. Controlled by design or process parameters and not directly tested. Characterized upon initial design and after major process and/or design changes.
5. AC Testing is performed as follows: Input levels: 0V and 3.0V, timing reference levels = 1.5V, input rise and fall times driven at 1ns/V, output load $C_L = 40pF$.

Test Load Circuit



NOTE: Includes stray and jig capacitance.

Timing Waveforms

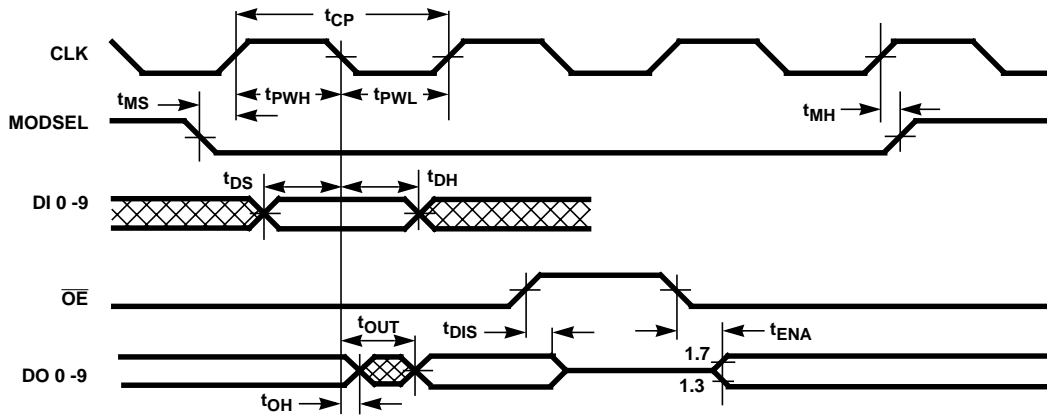


FIGURE 1. FUNCTIONAL TIMING (CLKSEL = LOW)

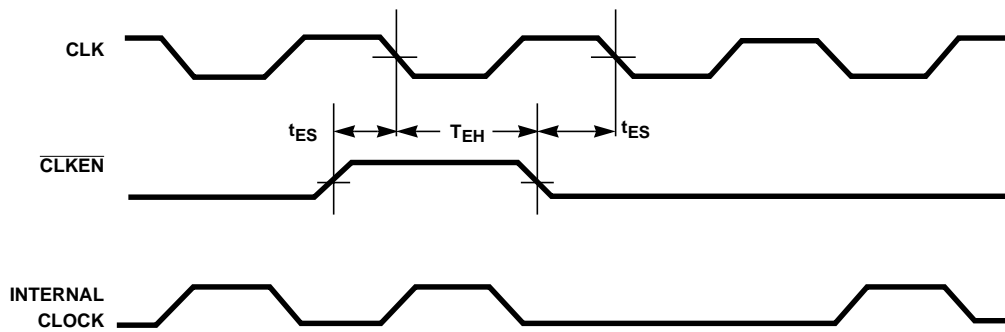


FIGURE 2. \overline{CLKEN} TIMING (CLKSEL = LOW)

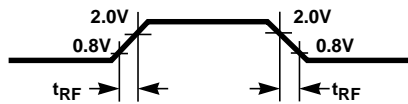


FIGURE 3. OUTPUT RISE AND FALL TIMES

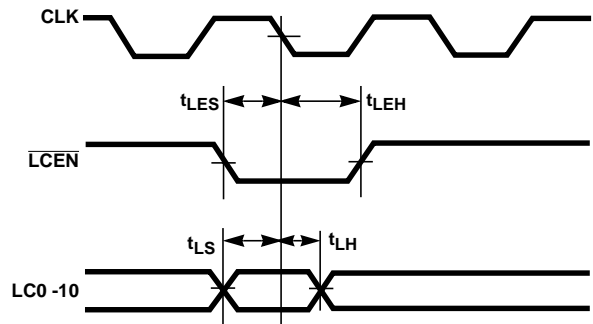


FIGURE 4. LENGTH CONTROL TIMING (CLKSEL = LOW)

Timing Waveforms (Continued)

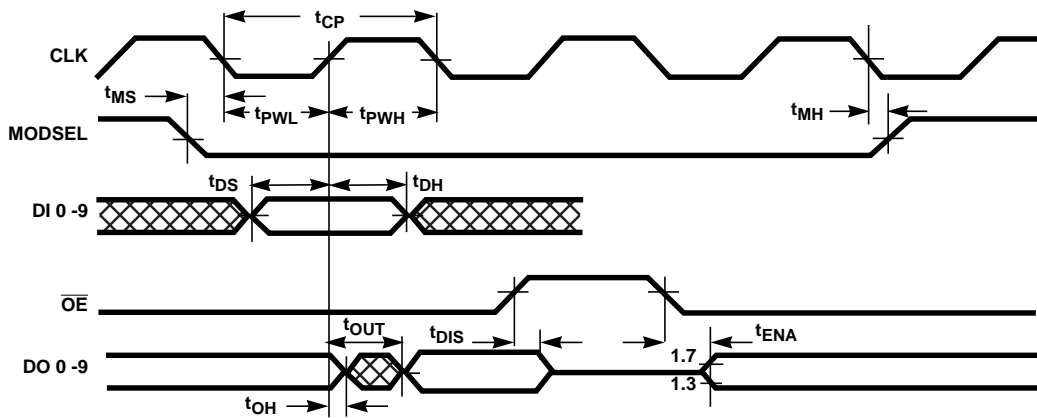


FIGURE 5. FUNCTIONAL TIMING (CLKSEL = HIGH)

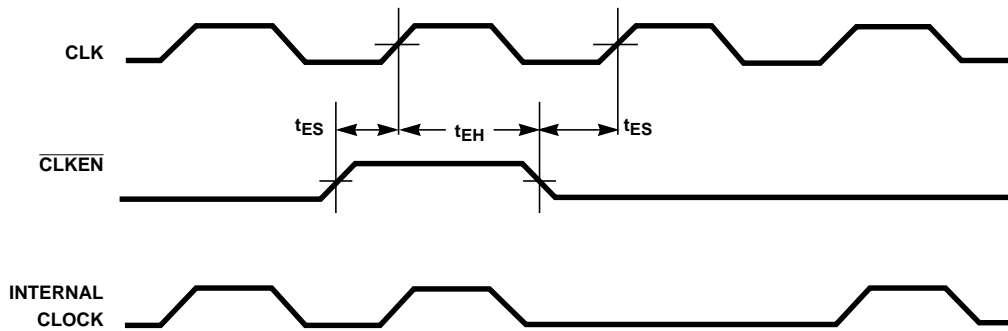


FIGURE 6. CLKEN TIMING (CLKSEL = HIGH)

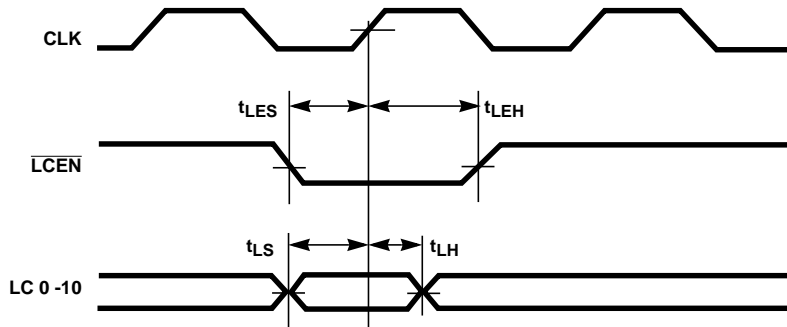


FIGURE 7. LENGTH CONTROL TIMING (CLKSEL = HIGH)

All Intersil semiconductor products are manufactured, assembled and tested under ISO9000 quality systems certification.

Intersil semiconductor products are sold by description only. Intersil Corporation reserves the right to make changes in circuit design and/or specifications at any time without notice. Accordingly, the reader is cautioned to verify that data sheets are current before placing orders. Information furnished by Intersil is believed to be accurate and reliable. However, no responsibility is assumed by Intersil or its subsidiaries for its use; nor for any infringements of patents or other rights of third parties which may result from its use. No license is granted by implication or otherwise under any patent or patent rights of Intersil or its subsidiaries.