



HT6026 Remote Control Encoder

Features

- Operating voltage: 4V~18V
- Low standby current
- Low power and high noise immunity CMOS technology
- 3^9 difference codes
- Two transmission words minimum
- Built-in oscillator needs only 5% resistor
- Interface with RF or infrared transmission medium
- Minimal external components

Applications

- Burglar alarm system
- Smoke and fire alarm system
- Garage door controllers
- Car alarm system
- Security system
- Cordless telephones
- Other remote control systems

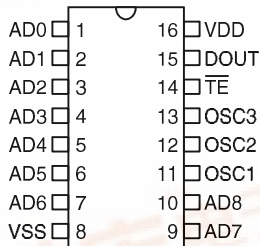
General Description

The HT6026 is a CMOS LSI encoder designed for use in remote control system. It is capable of encoding 9 bits of information which consists of N address bits and 9-N data bits. Each address/data input is externally trinary programmable by external switches. The programmable address/data

is transmitted along with the header bits via an RF or an infrared transmission medium upon receipt of a trigger signal (\overline{TE}).

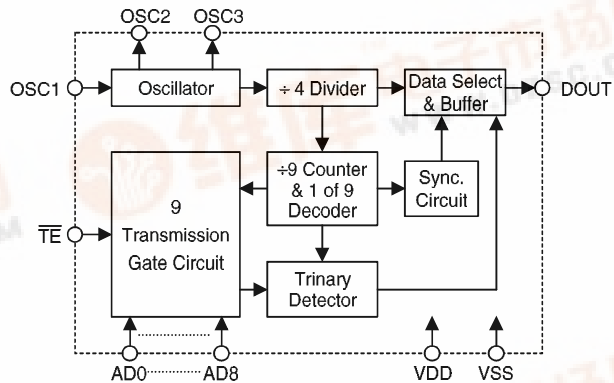
The HT6026 is pin compatible with the MC145026.

Pin Assignment



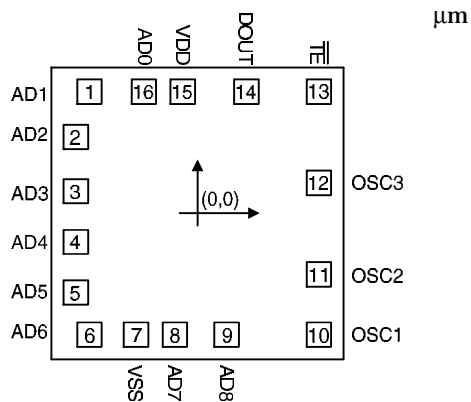
HT6026
- 16 DIP/NSOP

Block Diagram



Pad Coordinates

Unit:



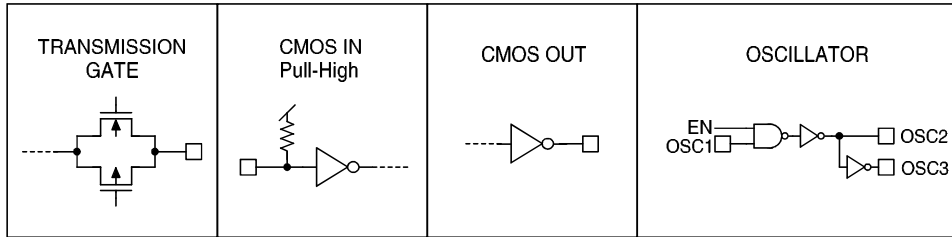
Pad No.	X	Y	Pad No.	X	Y
1	-598.00	689.00	9	160.00	-687.00
2	-674.00	433.00	10	670.00	-687.00
3	-674.00	126.00	11	670.00	-347.00
4	-674.00	-162.00	12	670.00	172.00
5	-674.00	-449.00	13	670.50	689.50
6	-598.00	-687.00	14	270.00	689.00
7	-342.00	-687.00	15	-84.00	689.00
8	-127.00	-687.00	16	-299.00	689.00

 Chip size: $1650 \times 1680 (\mu\text{m})^2$

* The IC substrate should be connected to VSS in the PCB layout artwork.

Pin Description

Pin No.	Pin Name	I/O	Internal Connection	Description
1~7	AD0~AD6	I	TRANSMISSION GATE	Input pins for address/data AD0~AD6 setting They can be externally set to VDD, VSS, or left open
8	VSS	I	—	Negative power supply (GND)
9~10	AD7~AD8	I	TRANSMISSION GATE	Input pins for address/data AD7~AD8 setting They can be externally set to VDD, VSS, or left open
11	OSC1	I	OSCILLATOR	Oscillator input pin
12	OSC2	O	OSCILLATOR	Oscillator output pin
13	OSC3	O	OSCILLATOR	Oscillator output pin
14	$\overline{\text{TE}}$	I	CMOS IN Pull-High	Transmission enable, active low
15	DOUT	O	CMOS OUT	Encoder data serial transmission output
16	VDD		—	Positive power supply

Approximate internal connection circuits

Absolute Maximum Ratings*

Supply Voltage	-0.3V to 24V	Storage Temperature.....	-50°C to 125°C
Input Voltage.....	V _{SS} -0.3 to V _{DD} +0.3V	Operating Temperature.....	-20°C to 75°C

*Note: Stresses above those listed under “Absolute Maximum Ratings” may cause permanent damage to the device. These are stress ratings only. Functional operation of this device at these or any other conditions above those indicated in the operational sections of this specification is not implied and exposure to absolute maximum rating conditions for extended periods may affect device reliability.

Electrical Characteristics

 (T_a=25°C)

Symbol	Parameter	Test Conditions		Min.	Typ.	Max.	Unit
		V _{DD}	Conditions				
V _{DD}	Operating Voltage	—	—	4	—	18	V
I _{STB}	Standby Current	5V	Oscillator stops	—	0.1	0.3	μA
		15V		—	0.1	0.5	μA
I _{DD}	Operating Current	5V	No load, F _{OSC} =18kHz	—	500	900	μA
		15V	No load, F _{OSC} =22kHz	—	2000	3000	μA
I _{DOUT}	Output Drive Current	5V	V _{OH} =0.9V _{DD} (Source)	-1.0	-1.7	—	mA
		15V		-8.0	-14.0	—	mA
		5V	V _{OL} =0.1V _{DD} (Sink)	0.8	1.5	—	mA
		15V		5.0	10.0	—	mA
V _{IH}	“H” Input Voltage	—	—	0.7V _{DD}	—	V _{DD}	V
V _{IL}	“L” Input Voltage	—	—	0	—	0.3V _{DD}	V
R _{TE}	TE Pull-High Resistance	5V	V _{TE} =0V	—	800	—	kΩ
		15V		—	250	—	kΩ
F _{OSC}	Oscillator Frequency	5V	R _{EXT} =10kΩ C _{EXT} =2000PF	—	18	—	kHz
		15V	R _S =20kΩ	—	22	—	kHz

Functional Description

Operation

The HT6026 encoder begins a one-word transmission cycle upon receipt of a transmission enable (\overline{TE} , active low). This cycle will repeat itself as long as the transmission enable (\overline{TE}) is held low. Once the transmission enable returns high, the encoder output completes its final $N \times 2$ word cycle, and then stops as shown in Figure 1. The total number of transmission cycles allowed is always adjusted to an even number automatically.

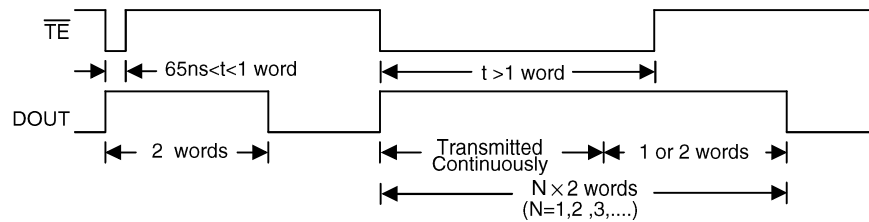


Figure 1. Transmission timing

Information word

An information word consists of 2 periods as shown:

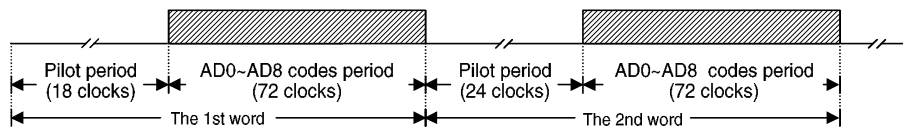


Figure 2. Composition of information

Address/data waveform

Each programmable address/data pin can be externally set to one of the following three logic states:

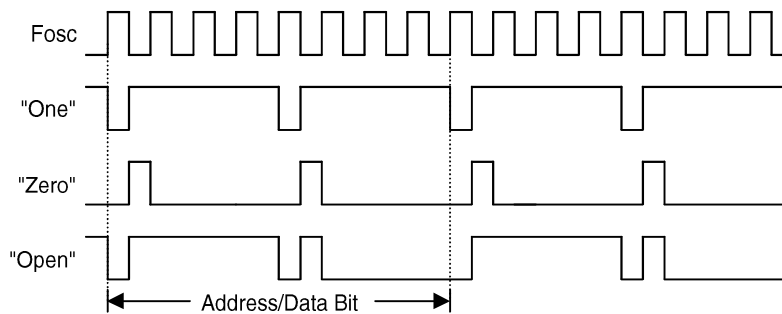


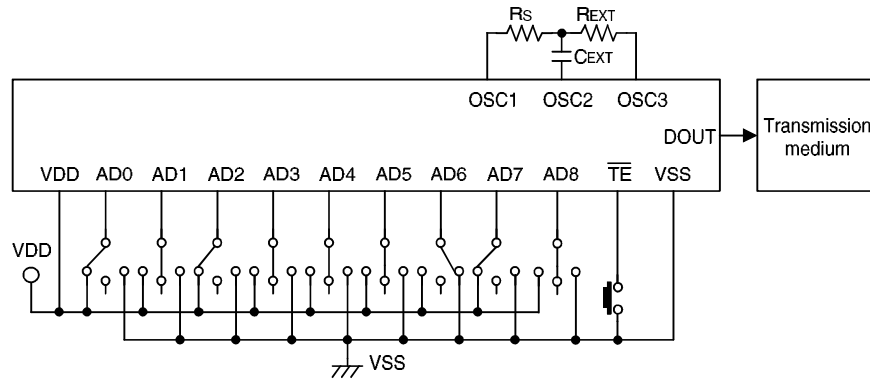
Figure 3. Address/Data bit waveform

Address/data programming (preset)

The status of each address/data pin can be individually pre-set to logic "high", "low", or "floating". If a transmission enable signal is applied, the encoder scans and transmits the status of 9-bit address/data serially in the order AD0 to AD8. But if the trigger signal is not applied, the chip only consumes a standby current which is less than 1 μ A (for VDD=5V).

The address pins are usually pre-set to transmit data codes with their own particular security codes by the DIP switches or PCB wiring, while the data is selected by the push button or electronic switches.

The following figure demonstrates an application using the HT6026:



The transmitted information is as listed:

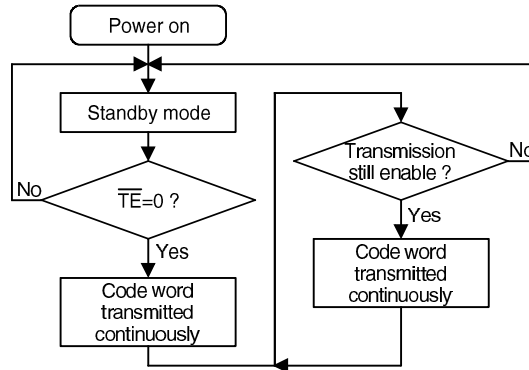
Pilot & Sync.	AD0	AD1	AD2	AD3	AD4	AD5	AD6	AD7	AD8
	1	Z	1	Z	Z	Z	0	1	Z

Z: floating

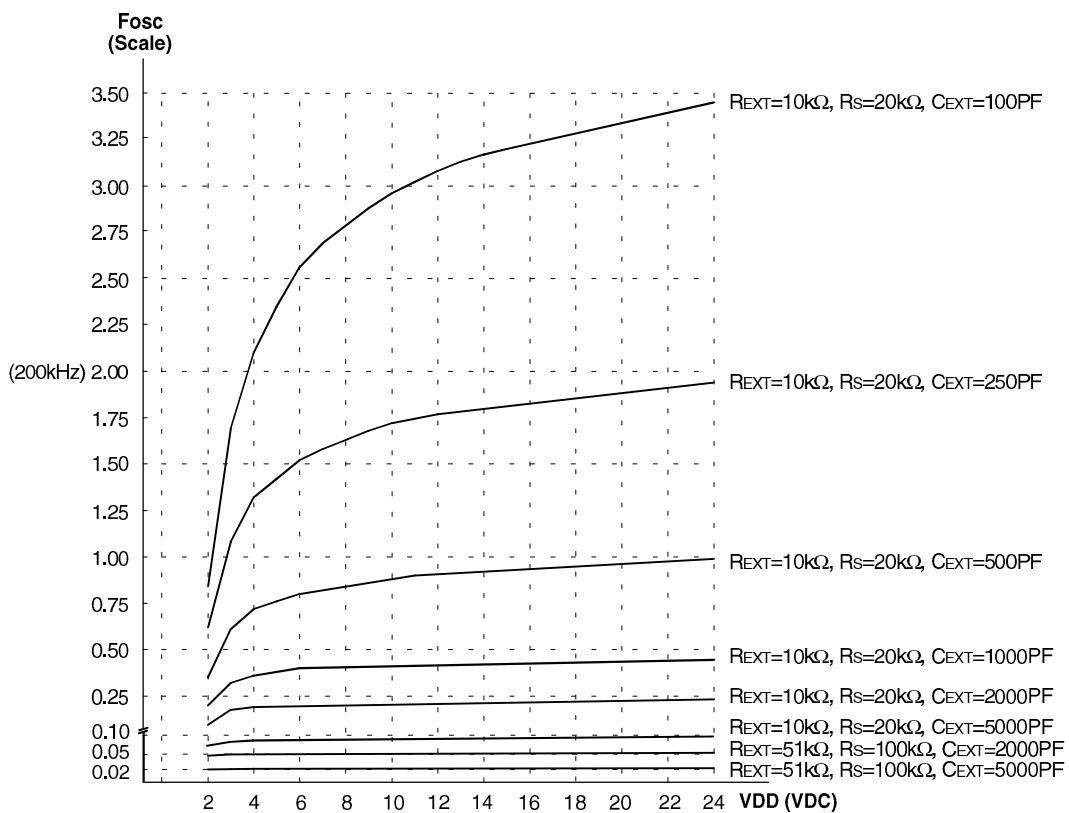
Transmission enable

Transmission is enabled by applying a low signal to the \overline{TE} pin. The HT6026 is enabled and outputs address/data codes from DOUT pin when the \overline{TE} is set to "low" and more than 65ns.

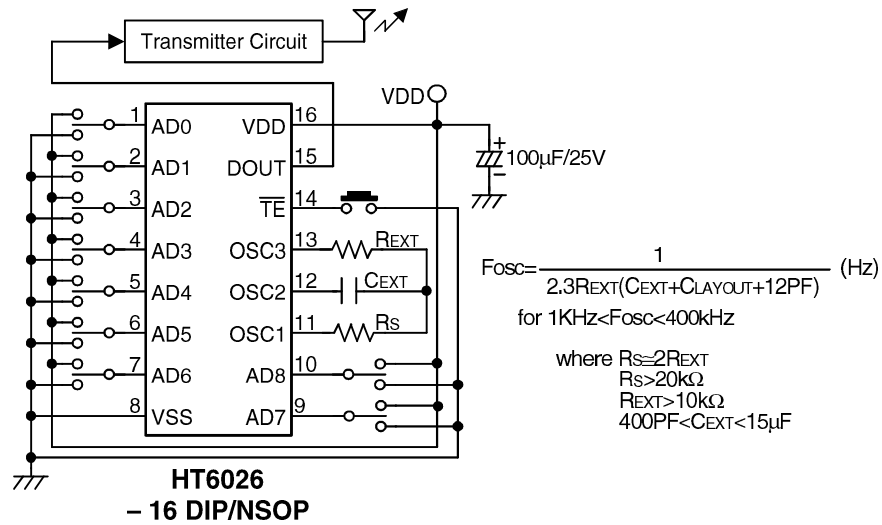
Flowchart



Oscillator frequency vs supply voltage



Application Circuit



Note: Typical infrared diode: EL-1L2 (KODENSHI CORP.)
 Typical RF transmitter: JR-220 (JUWA CORP.)