

## 32-Channel Serial To Parallel Converter with P-Channel Open Drain Outputs

### Ordering Information

Device	Recommended Operating $V_{PP}$ Max	Package Options			
		44 J-Lead Quad Ceramic Chip Carrier	44 J-Lead Quad Plastic Chip Carrier	44 Quad Plastic Gullwing	Die
HV4522	-220	HV4522DJ	HV4522PJ	HV4522PG	HV4522X
HV4622	-220	HV4622DJ	HV4622PJ	HV4622PG	HV4622X

### Features

- Processed with HVCMOS Technology
- Output voltages to -220V
- Source current minimum 60 mA
- Shift register speed 8 MHz
- Polarity and blanking inputs
- CMOS compatible inputs
- Forward and reverse shifting options
- 44-lead plastic and ceramic surface mount packages
- Hi-Rel processing available
- Can be used with the HV55 and HV56 to provide 220V push pull operation

### Absolute Maximum Ratings<sup>1</sup>

Supply voltage, $V_{DD}$	+0.5V to -16V	
Off state output voltage	HV4522/ HV4622	+0.5V to -240V
Logic input levels	+0.5V to $V_{DD}$ - 0.3V	
Ground current <sup>2</sup>	1.5A	
Continuous total power dissipation <sup>3</sup>	Plastic	1200mW
	Ceramic	1500mW
Operating temperature range	Ceramic	-55°C to +125°C
	Plastic	-40°C to +85°C
Storage temperature range	-65°C to +150°C	
Lead temperature 1.6mm (1/16 inch) from case for 10 seconds	260°C	

#### Notes:

1. All voltages are referenced to  $V_{SS}$ .
2. Duty cycle is limited by the total power dissipated in the package.
3. For operation above 25°C ambient derate linearly to maximum operating temperature at 20mW/°C for plastic and at 15mW/°C for ceramic.

### General Description

The HV4522 and HV4622 are low-voltage serial to high-voltage parallel converters with P-Channel open drain outputs. These devices have been designed for use as drivers for AC-electroluminescent displays. They can also be used in any application requiring multiple output high-voltage current source capabilities such as driving inkjet and electrostatic print heads, plasma panels, or vacuum fluorescent displays.

These devices consist of a 32-bit shift register, 32 data latches, and control logic to perform polarity and blanking functions. Data is shifted through the shift register on the logic high-to-low transition of the clock. The HV4522 shifts in the counterclockwise direction when viewed from the top of the package and the HV4622 shifts in the clockwise direction. A data output buffer is provided for cascading devices. This output reflects the current status of the last bit of the shift register. The data in the shift register is latched when the latch enable pin is brought to logic high and then returned to ground. If the latch enable pin is held high, the latch becomes transparent and the shift register data is directly reflected in the outputs.

For applications requiring active pull down as well as pull up, the HV4522 and HV4622 can be paired with the HV55 and HV56 devices, respectively.

# Electrical Characteristics<sup>1</sup> (over recommended operating conditions unless noted)

## DC Characteristics

Symbol	Parameter	Min	Max	Units	Conditions	
$I_{DD}$	$V_{DD}$ supply current		-15	mA	$f_{CLK} = 8$ MHz $F_{DATA} = 4$ MHz	
$I_{DDQ}$	Quiescent $V_{DD}$ supply current		-100	$\mu$ A	$V_{IN} = V_{SS}$ or $V_{DD}$	
$I_{O(OFF)}$	Off state output current		-100	$\mu$ A	All SWS parallel	
$I_{IH}$	High-level logic input current		-1	$\mu$ A	$V_{IH} = V_{DD}$	
$I_{IL}$	Low-level logic input current		+1	$\mu$ A	$V_{IL} = V_{SS}$	
$V_{OH}$	High-level output data out	$V_{DD} + 1.0V$		V	$I_{Dout} = -100\mu A$	
$V_{OL}$	Low-level output voltage	HV <sub>OUT</sub>		-30.0	V	$I_{HVout} = -60mA$
		Data out		-1.0	V	$I_{Dout} = -100\mu A$
$V_{OC}$	HV <sub>OUT</sub> clamp voltage		+1.5	V	$I_{OL} = +60mA$	

## AC Characteristics ( $V_{DD} = -12V$ , $T_C = 25^\circ C$ )

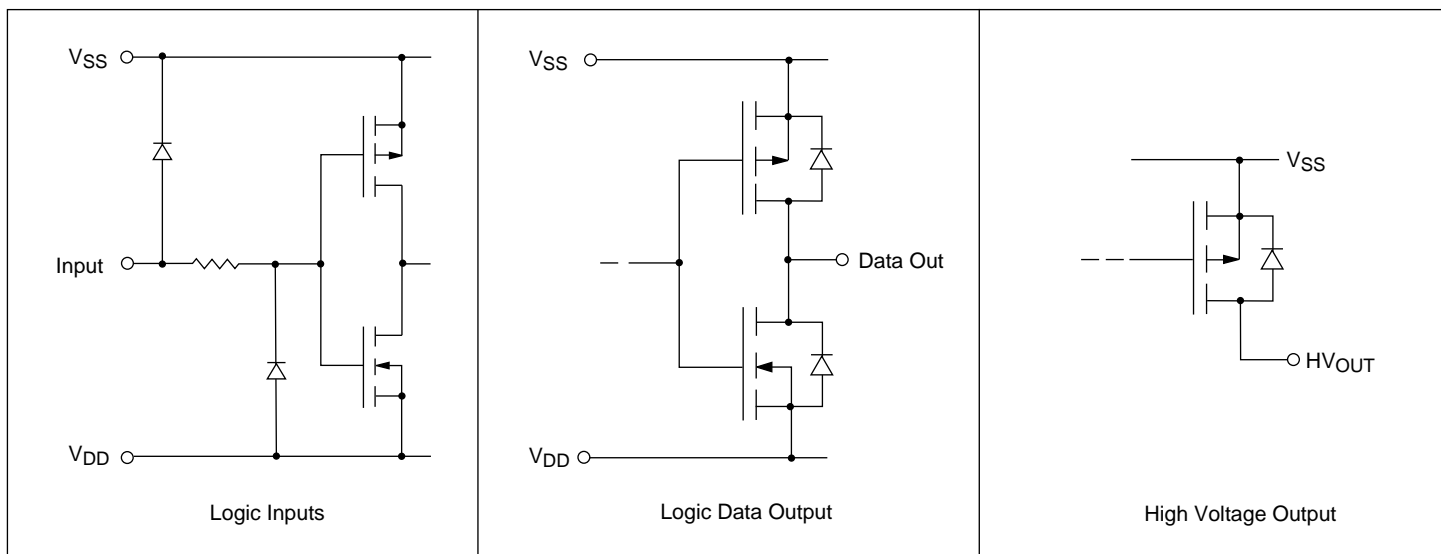
Symbol	Parameter	Min	Max	Units	Conditions
$f_{CLK}$	Clock frequency		8	MHz	
$t_{WH}/t_{WL}$	Clock width high or low	62		ns	
$t_{SU}$	Data set-up time before clock rises	50		ns	
$t_H$	Data hold time after clock rises	20		ns	
$t_{ON}$	Turn ON time, HV <sub>OUT</sub> from enable		400	ns	$R_L = 10K$ to $V_{OO}$ MAX
$t_{DHL}$	Delay time clock to data high to low		100	ns	$C_L = 15pF$
$t_{DLH}$	Delay time clock to data low to high		100	ns	$C_L = 15pF$
$t_{DLE}$	Delay time clock to $\overline{LE}$ low to high	50		ns	
$t_{WLE}$	Width of $\overline{LE}$ pulse	50		ns	
$t_{SLE}$	LE set-up time before clock falls	50		ns	

## Recommended Operating Conditions

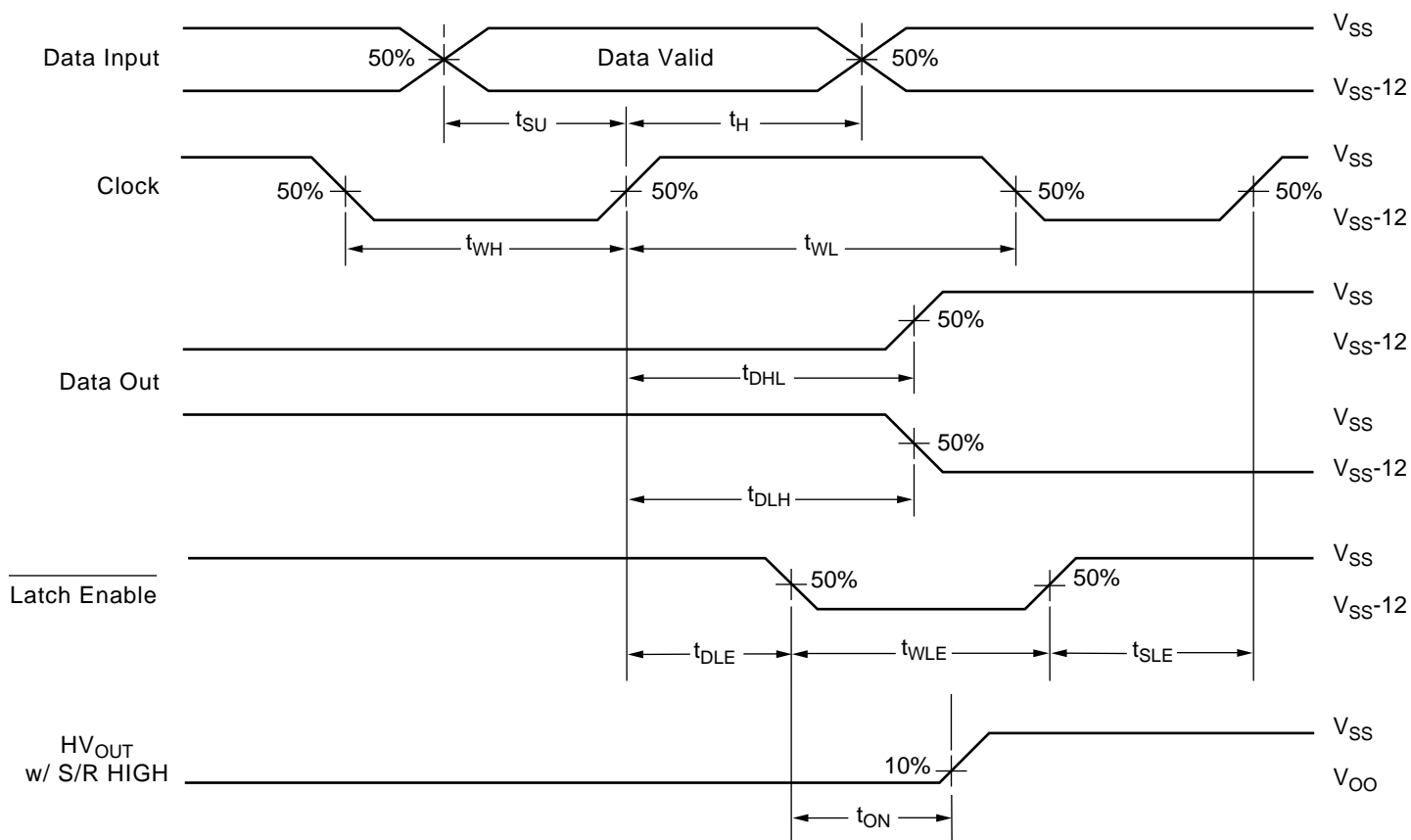
Symbol	Parameter	Min	Max	Units	
$V_{DD}$	Logic supply voltage	-10.8	-13.2	V	
HV <sub>OUT</sub>	Output off voltage	HV4522 and HV4622	+0.3	-220	V
$V_{IH}$	High-level input voltage (LOGIC "1")	$V_{DD} + 2V$	$V_{DD}$	V	
$V_{IL}$	Low-level input voltage (LOGIC "0")	0	-2.0	V	
$f_{CLK}$	Clock frequency		8	MHz	
$T_A$	Operating free-air temperature	Plastic	-40	+85	$^\circ C$
		Ceramic	-55	+125	$^\circ C$

Note: All voltages are referenced to  $V_{SS}$ .

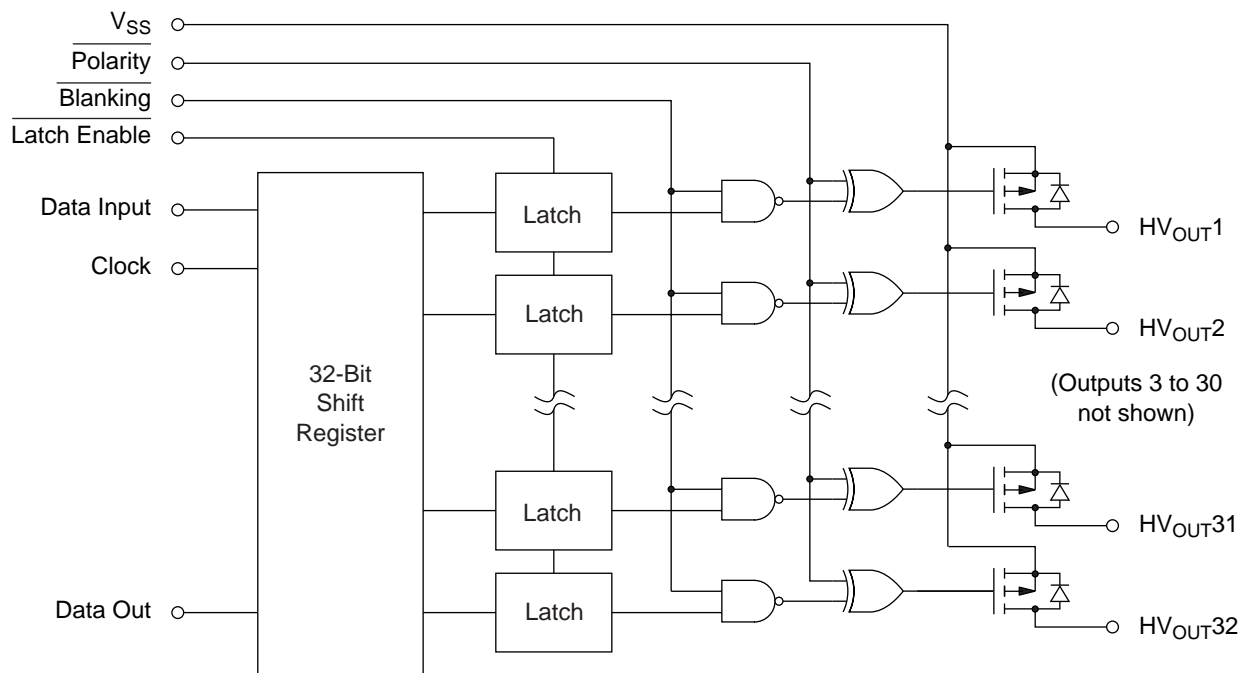
# Input and Output Equivalent Circuits



# Switching Waveforms



# Functional Block Diagram



# Function Table

Function	Inputs					Outputs		
	Data	CLK	$\overline{LE}$	$\overline{BL}$	$\overline{POL}$	Shift Reg 1 2...32	HV Outputs 1 2...32	Data Out *
All on	X	X	X	L	L	* *...*	H H...H	*
All off	X	X	X	L	H	* *...*	L L...L	*
Invert mode	X	X	L	H	L	* *...*	$\overline{*} \overline{*} \dots \overline{*}$	*
Load S/R	H or L	↓	L	H	H	H or L *...*	* *...*	*
Load latches	X	H or L	↑	H	H	* *...*	* *...*	*
	X	H or L	↑	H	L	* *...*	$\overline{*} \overline{*} \dots \overline{*}$	*
Transparent latch mode	L	↓	H	H	H	L *...*	L *...*	*
	H	↓	H	H	H	H *...*	H *...*	*

**Notes:**  
 H = high level = -12V, L = low level = 0V, X = irrelevant, ↓ = high-to-low transition, ↑ = low-to-high transition.  
 \* = dependent on previous stage's state before the last CLK high-to-low transition or last LE high.

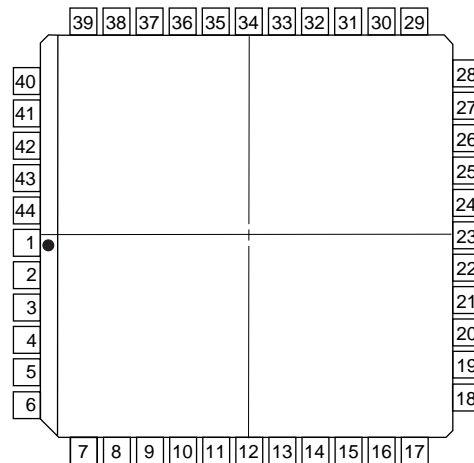
## Pin Configurations

## Package Outline

### HV4522

#### 44 Pin J-Lead Package

Pin	Function	Pin	Function
1	HV <sub>OUT</sub> 17	23	Clock
2	HV <sub>OUT</sub> 18	24	V <sub>SS</sub>
3	HV <sub>OUT</sub> 19	25	V <sub>DD</sub>
4	HV <sub>OUT</sub> 20	26	Latch Enable
5	HV <sub>OUT</sub> 21	27	Data In
6	HV <sub>OUT</sub> 22	28	Blanking
7	HV <sub>OUT</sub> 23	29	HV <sub>OUT</sub> 1
8	HV <sub>OUT</sub> 24	30	HV <sub>OUT</sub> 2
9	HV <sub>OUT</sub> 25	31	HV <sub>OUT</sub> 3
10	HV <sub>OUT</sub> 26	32	HV <sub>OUT</sub> 4
11	HV <sub>OUT</sub> 27	33	HV <sub>OUT</sub> 5
12	HV <sub>OUT</sub> 28	34	HV <sub>OUT</sub> 6
13	HV <sub>OUT</sub> 29	35	HV <sub>OUT</sub> 7
14	HV <sub>OUT</sub> 30	36	HV <sub>OUT</sub> 8
15	HV <sub>OUT</sub> 31	37	HV <sub>OUT</sub> 9
16	HV <sub>OUT</sub> 32	38	HV <sub>OUT</sub> 10
17	N/C	39	HV <sub>OUT</sub> 11
18	Data Out	40	HV <sub>OUT</sub> 12
19	N/C	41	HV <sub>OUT</sub> 13
20	N/C	42	HV <sub>OUT</sub> 14
21	N/C	43	HV <sub>OUT</sub> 15
22	Polarity	44	HV <sub>OUT</sub> 16



top view  
44-pin J-Lead Package

### HV4622

#### 44 Pin J-Lead Package

Pin	Function	Pin	Function
1	HV <sub>OUT</sub> 16	23	Clock
2	HV <sub>OUT</sub> 15	24	V <sub>SS</sub>
3	HV <sub>OUT</sub> 14	25	V <sub>DD</sub>
4	HV <sub>OUT</sub> 13	26	Latch Enable
5	HV <sub>OUT</sub> 12	27	Data In
6	HV <sub>OUT</sub> 11	28	Blanking
7	HV <sub>OUT</sub> 10	29	HV <sub>OUT</sub> 32
8	HV <sub>OUT</sub> 9	30	HV <sub>OUT</sub> 31
9	HV <sub>OUT</sub> 8	31	HV <sub>OUT</sub> 30
10	HV <sub>OUT</sub> 7	32	HV <sub>OUT</sub> 29
11	HV <sub>OUT</sub> 6	33	HV <sub>OUT</sub> 28
12	HV <sub>OUT</sub> 5	34	HV <sub>OUT</sub> 27
13	HV <sub>OUT</sub> 4	35	HV <sub>OUT</sub> 26
14	HV <sub>OUT</sub> 3	36	HV <sub>OUT</sub> 25
15	HV <sub>OUT</sub> 2	37	HV <sub>OUT</sub> 24
16	HV <sub>OUT</sub> 1	38	HV <sub>OUT</sub> 23
17	N/C	39	HV <sub>OUT</sub> 22
18	Data Out	40	HV <sub>OUT</sub> 21
19	N/C	41	HV <sub>OUT</sub> 20
20	N/C	42	HV <sub>OUT</sub> 19
21	N/C	43	HV <sub>OUT</sub> 18
22	Polarity	44	HV <sub>OUT</sub> 17

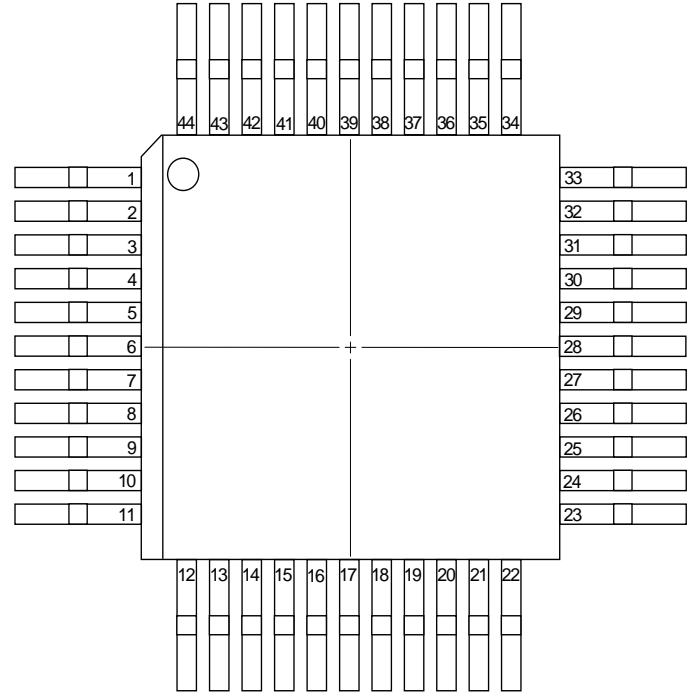
# Pin Configurations

# Package Outline

## HV4522

### 44-Pin Plastic Gullwing (QFP) Package

Pin	Function	Pin	Function
1	HV <sub>OUT</sub> 12	23	Data Out
2	HV <sub>OUT</sub> 13	24	N/C
3	HV <sub>OUT</sub> 14	25	N/C
4	HV <sub>OUT</sub> 15	26	N/C
5	HV <sub>OUT</sub> 16	27	Polarity
6	HV <sub>OUT</sub> 17	28	Clock
7	HV <sub>OUT</sub> 18	29	V <sub>SS</sub>
8	HV <sub>OUT</sub> 19	30	V <sub>DD</sub>
9	HV <sub>OUT</sub> 20	31	Latch Enable
10	HV <sub>OUT</sub> 21	32	Data In
11	HV <sub>OUT</sub> 22	33	Blanking
12	HV <sub>OUT</sub> 23	34	HV <sub>OUT</sub> 1
13	HV <sub>OUT</sub> 24	35	HV <sub>OUT</sub> 2
14	HV <sub>OUT</sub> 25	36	HV <sub>OUT</sub> 3
15	HV <sub>OUT</sub> 26	37	HV <sub>OUT</sub> 4
16	HV <sub>OUT</sub> 27	38	HV <sub>OUT</sub> 5
17	HV <sub>OUT</sub> 28	39	HV <sub>OUT</sub> 6
18	HV <sub>OUT</sub> 29	40	HV <sub>OUT</sub> 7
19	HV <sub>OUT</sub> 30	41	HV <sub>OUT</sub> 8
20	HV <sub>OUT</sub> 31	42	HV <sub>OUT</sub> 9
21	HV <sub>OUT</sub> 32	43	HV <sub>OUT</sub> 10
22	N/C	44	HV <sub>OUT</sub> 11



top view  
44-pin PQFP Package

## HV4622

### 44-Pin Plastic Gullwing (QFP) Package

Pin	Function	Pin	Function
1	HV <sub>OUT</sub> 21	23	Data Out
2	HV <sub>OUT</sub> 20	24	N/C
3	HV <sub>OUT</sub> 19	25	N/C
4	HV <sub>OUT</sub> 18	26	N/C
5	HV <sub>OUT</sub> 17	27	Polarity
6	HV <sub>OUT</sub> 16	28	Clock
7	HV <sub>OUT</sub> 15	29	V <sub>SS</sub>
8	HV <sub>OUT</sub> 14	30	V <sub>DD</sub>
9	HV <sub>OUT</sub> 13	31	Latch Enable
10	HV <sub>OUT</sub> 12	32	Data In
11	HV <sub>OUT</sub> 11	33	Blanking
12	HV <sub>OUT</sub> 10	34	HV <sub>OUT</sub> 32
13	HV <sub>OUT</sub> 9	35	HV <sub>OUT</sub> 31
14	HV <sub>OUT</sub> 8	36	HV <sub>OUT</sub> 30
15	HV <sub>OUT</sub> 7	37	HV <sub>OUT</sub> 29
16	HV <sub>OUT</sub> 6	38	HV <sub>OUT</sub> 28
17	HV <sub>OUT</sub> 5	39	HV <sub>OUT</sub> 27
18	HV <sub>OUT</sub> 4	40	HV <sub>OUT</sub> 26
19	HV <sub>OUT</sub> 3	41	HV <sub>OUT</sub> 25
20	HV <sub>OUT</sub> 2	42	HV <sub>OUT</sub> 24
21	HV <sub>OUT</sub> 1	43	HV <sub>OUT</sub> 23
22	N/C	44	HV <sub>OUT</sub> 22