

PROGRAMMABLE PRECISION REFERENCES

The KIA2431P/S/T/AP/AS/AT/BP/BS/BT are integrated circuits are three-terminal programmable shunt regulator diodes. These monolithic IC voltage reference operate as a low temperature coefficient zener which is programmable from V_{ref} to 18 volts with two external resistors. These devices exhibit a wide operating current range of $5.0\mu A$ to $25mA$ with a typical dynamic impedance of 0.22Ω . The characteristics of these references make them excellent replacements for zener diodes in many applications such as digital voltmeters, power supplies, and op amp circuitry.

FEATURES

- Programmable Output Voltage to 18 Volts.

LINE UP

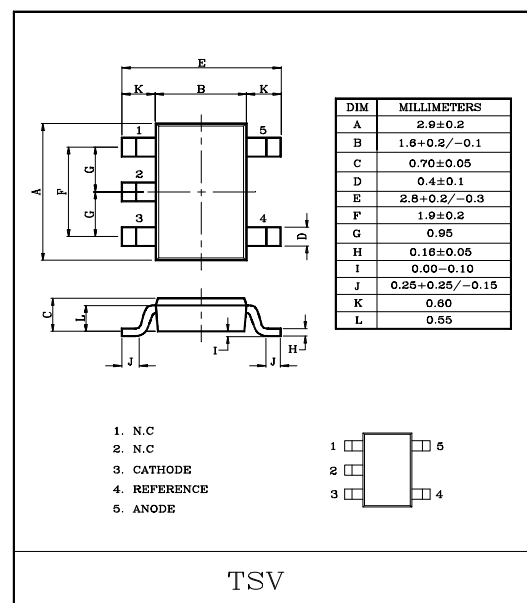
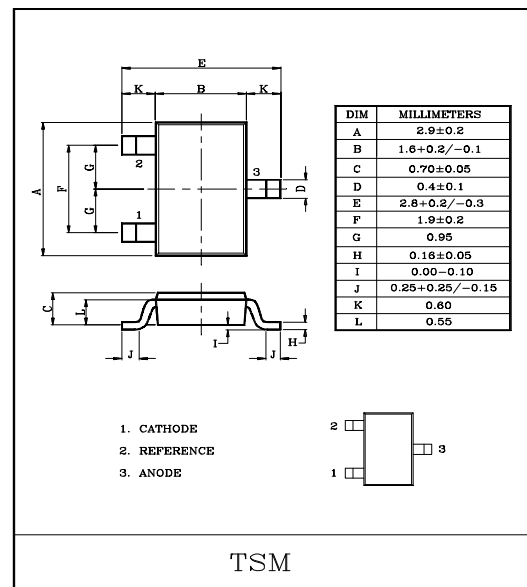
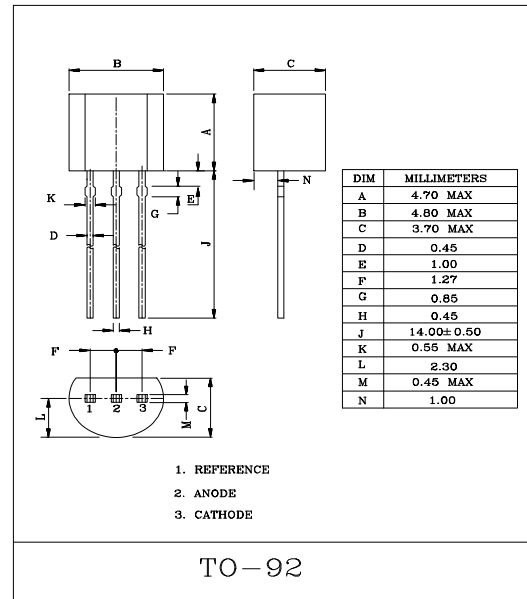
| ITEM | Package | Vref Tolerance (%) |
|-----------|----------|--------------------|
| * KIA2431 | P TO-92 | 1.5 |
| | S TSM | |
| | T TSV | |
| * KIA2431 | AP TO-92 | 1.0 |
| | AS TSM | |
| | AT TSV | |
| * KIA2431 | BP TO-92 | 0.5 |
| | BS TSM | |
| | BT TSV | |

Note) * : Under development

- Low Dynamic Output Impedance : 0.22Ω (Typ.).
- Sink Current Capability of $50\mu A$ to $25mA$.
- Equivalent Full-Range Temperature Coefficient of $30ppm/^\circ C$ (Typ.).
- Temperature Compensated for Operation Over Full Rated Operating Temperature Range.
- Low Output Noise Voltage.

MARKING

| Type No. | Marking |
|--------------|---------|
| KIA2431T/S | 24A |
| KIA2431AT/AF | 24B |
| KIA2431BT/BS | 24C |



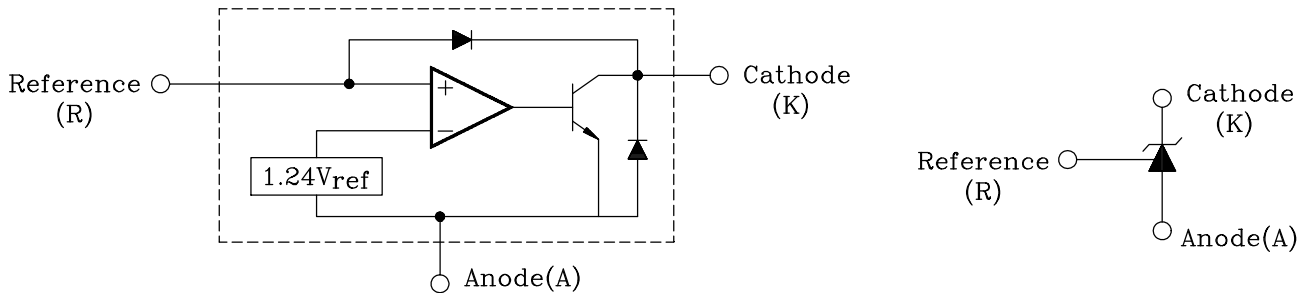
KIA2431P/S/T/AP/AS/AT/BP/BS/BT

MAXIMUM RATINGS

(Full operating ambient temperature range applies unless otherwise noted.)

| CHARACTERISTIC | | SYMBOL | RATING | UNIT |
|---|----------------|-----------|----------|------|
| Cathode To Anode Voltage | | V_{KA} | 20 | V |
| Cathode Current Range, Continuous | | I_K | -30~30 | mA |
| Reference Input Current Range, Continuous | | I_{ref} | -0.05~10 | mA |
| Operating Junction Temperature | | T_j | 150 | °C |
| Operating Temperature | | T_{opr} | -40~85 | °C |
| Storage Temperature | | T_{stg} | -65~150 | °C |
| Total Power Dissipation | KIA2431P/AP/BP | P_D | 700 | mW |
| | KIA2431S/AS/BS | | 350 | |
| | KIA2431T/AT/BT | | 550 | |

BLOCK DIAGRAM



ELECTRICAL CHARACTERISTICS ($T_a=25^\circ\text{C}$)

| CHARACTERISTICS | | SYMBOL | TEST CIRCUIT | TEST CONDITION | MIN. | TYP. | MAX. | UNIT |
|--|------------------------|--|-------------------|--|-------|-------|-------|---------------|
| Reference Input Voltage | KIA2431P/S/F | V_{ref} | Figure 1 | $V_{KA}=V_{ref}$, $I_K=10\text{mA}$ | 1.222 | 1.240 | 1.258 | V |
| | KIA2431AP/AS/AT | | | | 1.228 | 1.240 | 1.252 | V |
| | KIA2431BP/BS/BT | | | | 1.234 | 1.240 | 1.246 | V |
| Reference Input Voltage Deviation Over Temperature Range | | ΔV_{ref} | Figure 1 (Note 1) | $V_{KA}=V_{ref}$, $I_K=10\text{mA}$ | - | 7.0 | 20 | mV |
| Ratio of Change in Reference Input Voltage to Change in Cathode to Anode Voltage | | $\frac{\Delta V_{ref}}{\Delta V_{KA}}$ | Figure 2 | $I_K=10\text{mA}$, $\Delta V_{KA}=18\text{V} \sim V_{ref}$ | - | -0.6 | -1.5 | mV/V |
| Reference Input Current | $T_a=25^\circ\text{C}$ | I_{ref} | Figure 2 | $I_K=10\text{mA}$, $R_1=10\text{k}\Omega$, $R_2=\infty$ | - | 0.15 | 0.3 | μA |
| Reference Input Current Deviation Over Temperature Range | | ΔI_{ref} | Figure 2 | $I_K=10\text{mA}$, $R_1=10\text{k}\Omega$, $R_2=\infty$ | - | 0.05 | 0.08 | μA |
| Minimum Cathode Current For Regulation | | I_{min} | Figure 1 | $V_{KA}=V_{ref}$ | - | 55 | 80 | μA |
| Off-State Cathode Current | | $I_{K(off)}$ | Figure 3 | $V_{KA}=18\text{V}$, $V_{ref}=0\text{V}$ | - | 2.6 | 1000 | nA |
| Dynamic Impedance | | Z_{ka} | Figure 1 (Note 2) | $V_{KA}=V_{ref}$, $I_K=0.05\text{mA} \sim 25\text{mA}$, $f \leq 1.0\text{kHz}$ | - | 0.22 | 0.4 | Ω |

KIA2431P/S/T/AP/AS/AT/BP/BS/BT

FIGURE 1—TEST CIRCUIT FOR $V_{KA} = V_{ref}$

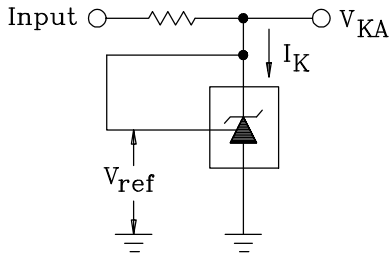
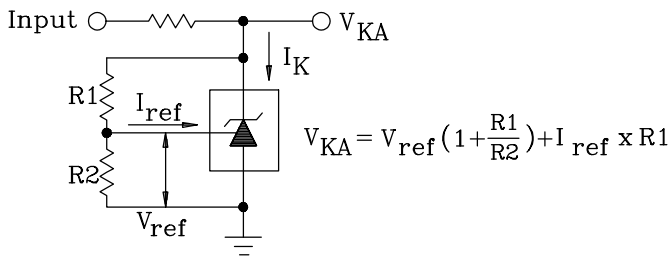
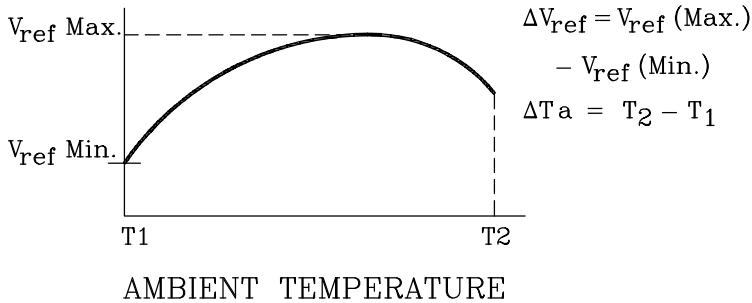


FIGURE 2—TEST CIRCUIT FOR $V_{KA} > V_{ref}$



Note 1:
The deviation parameter ΔV_{ref} is defined as the differences between the maximum and minimum values obtained over the full operating ambient temperature range that applies.



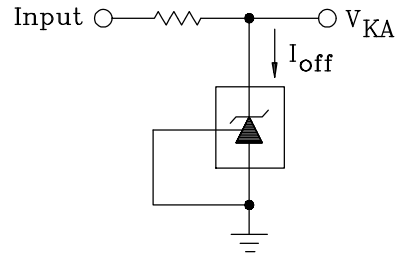
The average temperature coefficient of the Reference input voltage, αV_{ref} , is defined as:

$$\alpha V_{ref} \left(\frac{\text{ppm}}{\text{C}} \right) = \frac{\left(\frac{\Delta V_{ref}}{V_{ref} \text{ at } 25^{\circ}\text{C}} \right) \times 10^6}{\Delta T_a}$$

$$= \frac{\Delta V_{ref} \times 10^6}{\Delta T_a (V_{ref} \text{ at } 25^{\circ}\text{C})}$$

αV_{ref} can be positive or negative depending on whether $V_{ref} \text{ Min.}$ or $V_{ref} \text{ Max.}$ occurs at the lower ambient temperature.

FIGURE 3—TEST CIRCUIT FOR I_{off}



Example : $\Delta V_{ref} = 5.0\text{mV}$ and slope is positive, $V_{ref} \text{ at } 25^{\circ}\text{C} = 1.245\text{V}$, $\Delta T_a = 110^{\circ}\text{C}$

$$\alpha V_{ref} = \frac{0.005 \times 10^6}{110 \times 1.245} = 36.5 \text{ ppm/}^{\circ}\text{C}$$

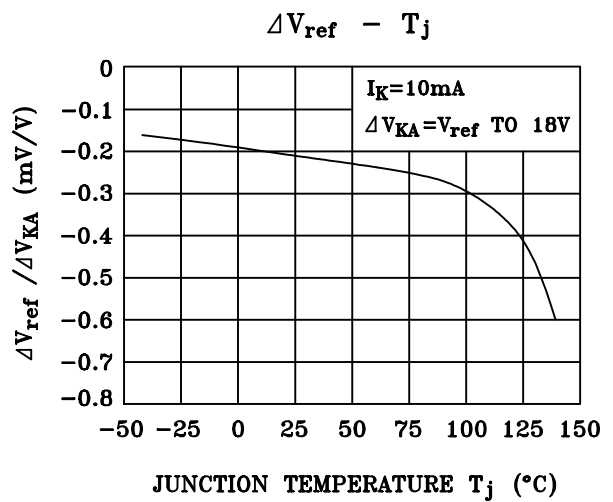
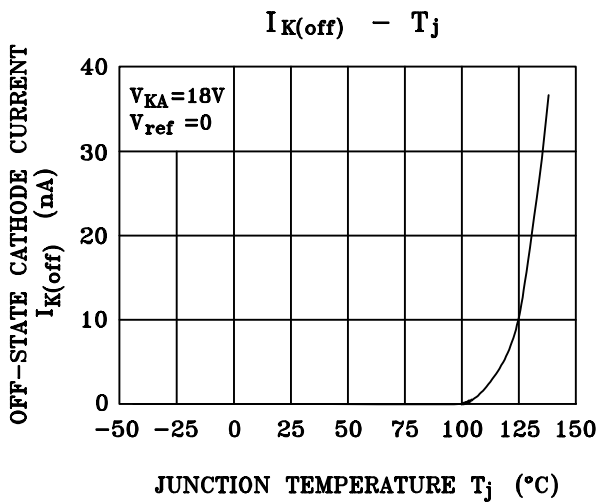
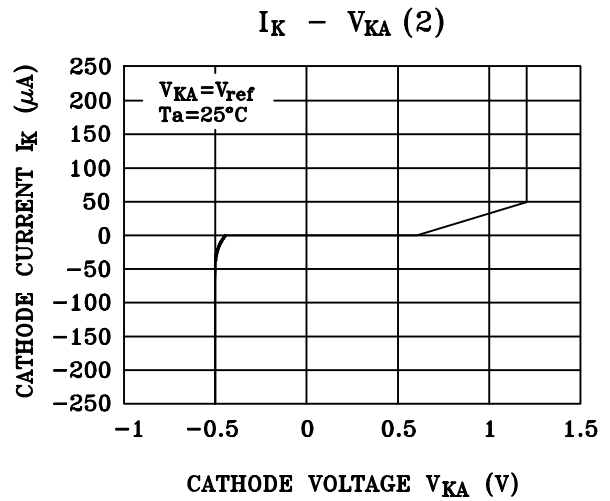
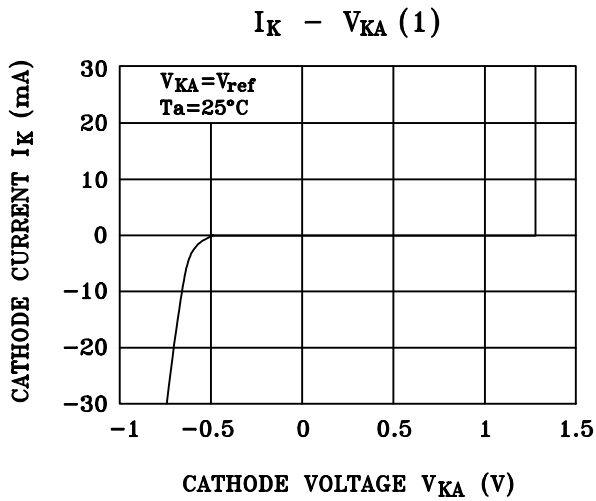
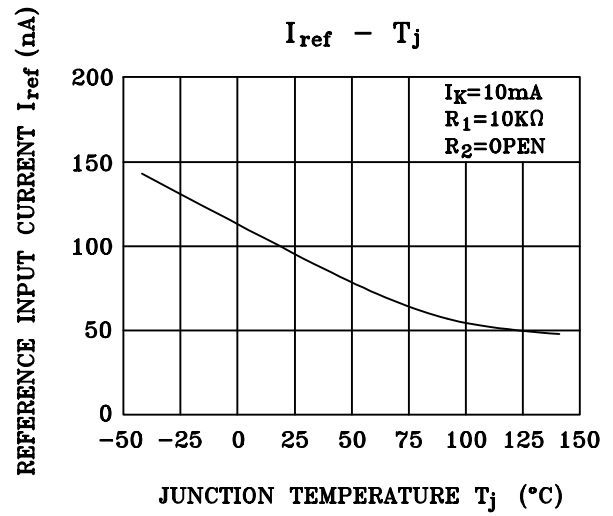
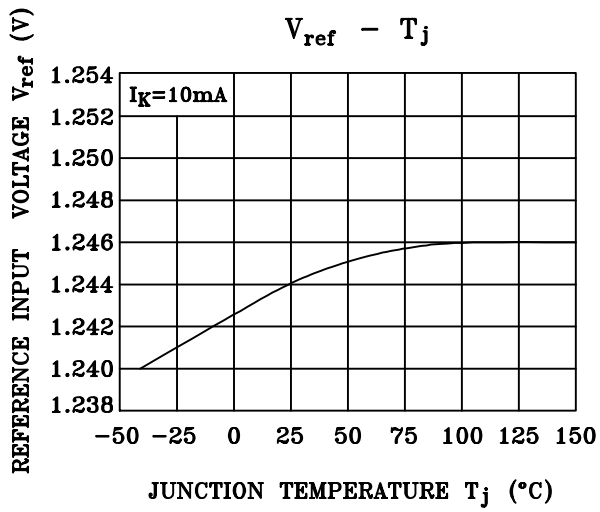
Note 2:
The dynamic impedance Z_{ka} is defined as:

$$|Z_{ka}| = \frac{\Delta V_{KA}}{\Delta I_k}$$

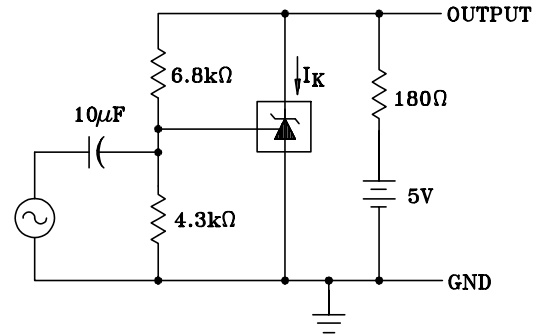
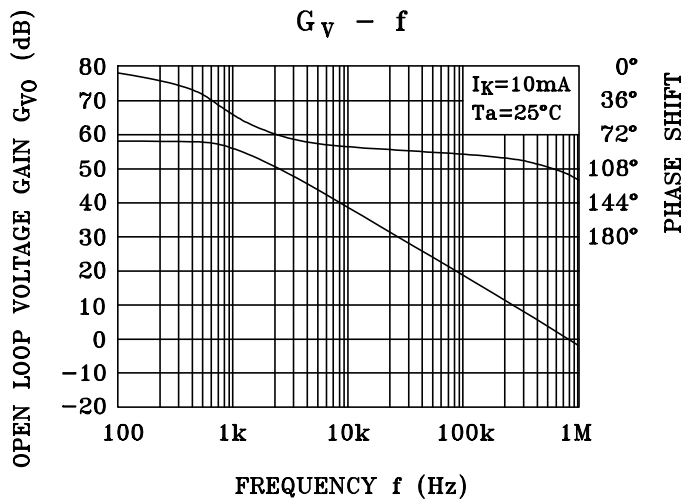
When the device is programmed with two external resistors, $R1$ and $R2$, (refer to Figure 2) the total dynamic impedance of the circuit is defined as:

$$|Z_{ka'}| = |Z_{ka}| \left(1 + \frac{R1}{R2} \right)$$

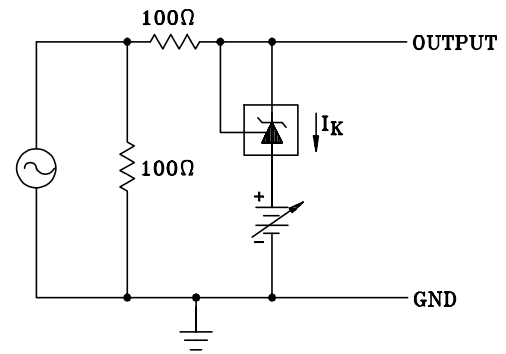
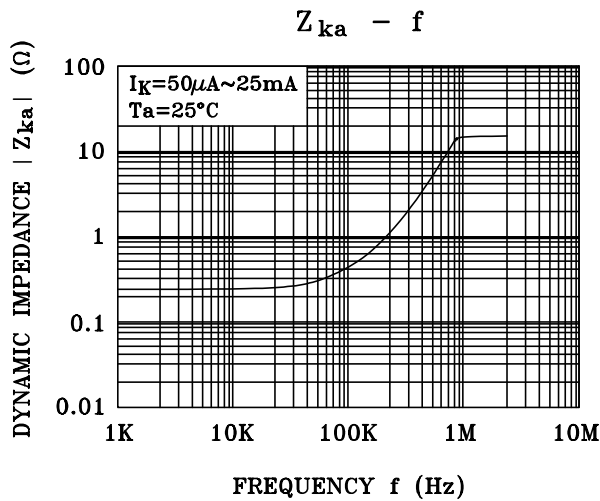
KIA2431P/S/T/AP/AS/AT/BP/BS/BT



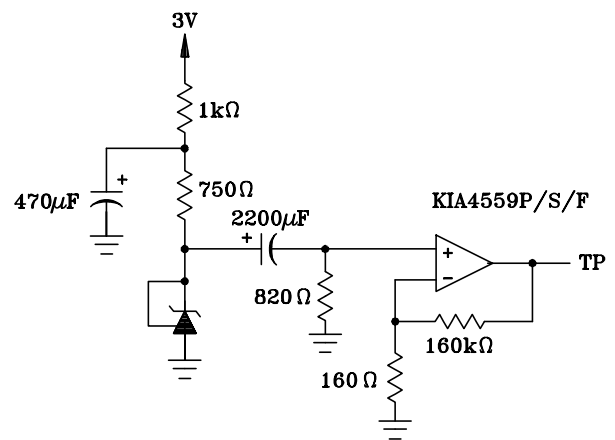
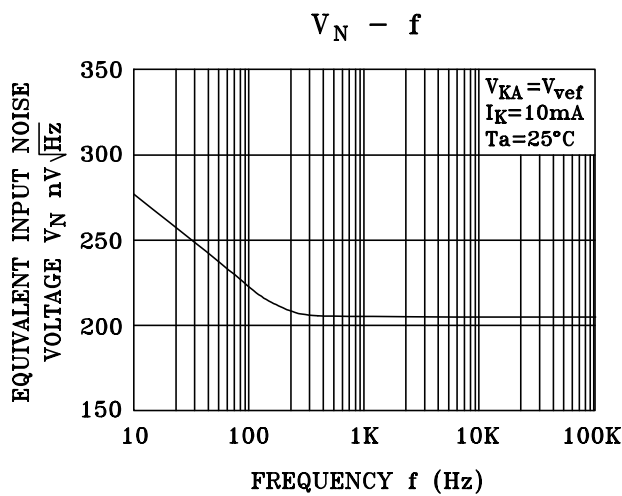
KIA2431P/S/T/AP/AS/AT/BP/BS/BT



TEST CIRCUIT FOR VOLTAGE GAIN AND PHASE MARGIN



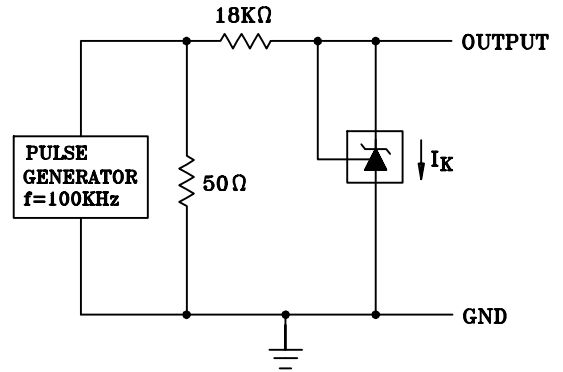
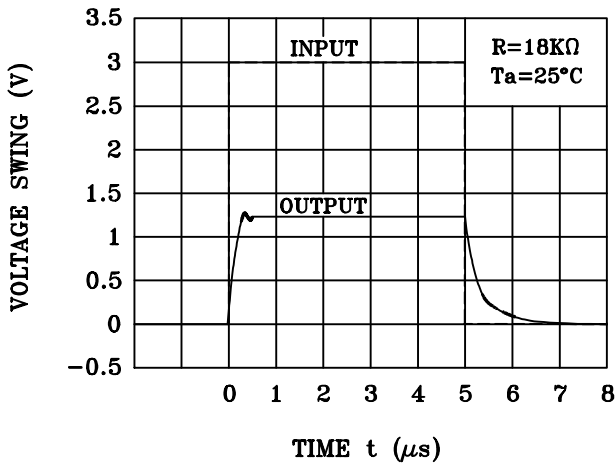
TEST CIRCUIT FOR DYNAMIC IMPEDANCE



TEST CIRCUIT FOR EQUIVALENT NOISE VOLTAGE

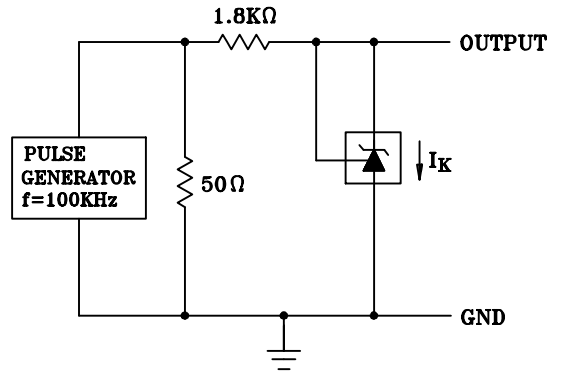
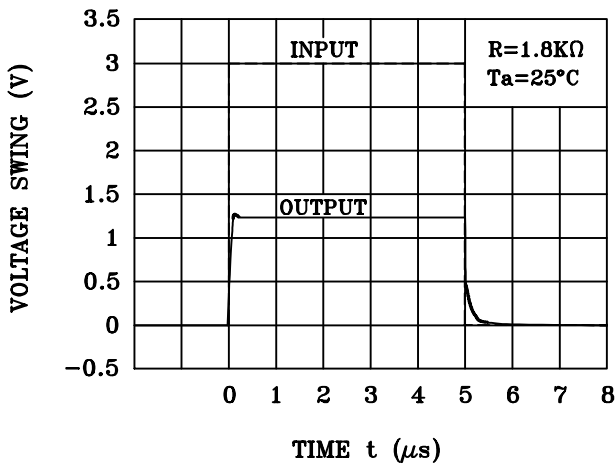
KIA2431P/S/T/AP/AS/AT/BP/BS/BT

PULSE RESPONSE-1

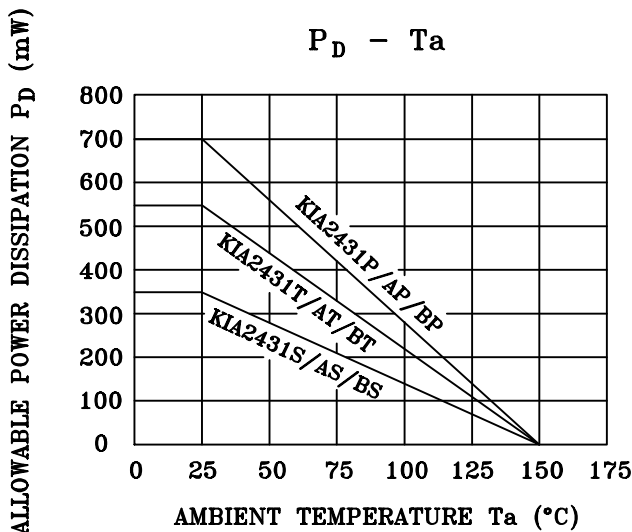


TEST CIRCUIT FOR PULSE RESPONSE2

PULSE RESPONSE-2



TEST CIRCUIT FOR PULSE RESPONSE2



PRECAUTION FOR USE

SOLDERING

Flat Package (TSM/TSV Package)

Elements mounting styles of electronic devices are gaining in further diversification over recent years, and needs for components are all the more expanding in varieties. Especially, surface mounting is steadily penetrating into industrial segments as a world-wide popular technical trend. Although exposure to high temperature is inevitable during soldering we recommend limiting the soldering temperature to low levels as shown in figure for the sake of retaining inherent excellent reliability.

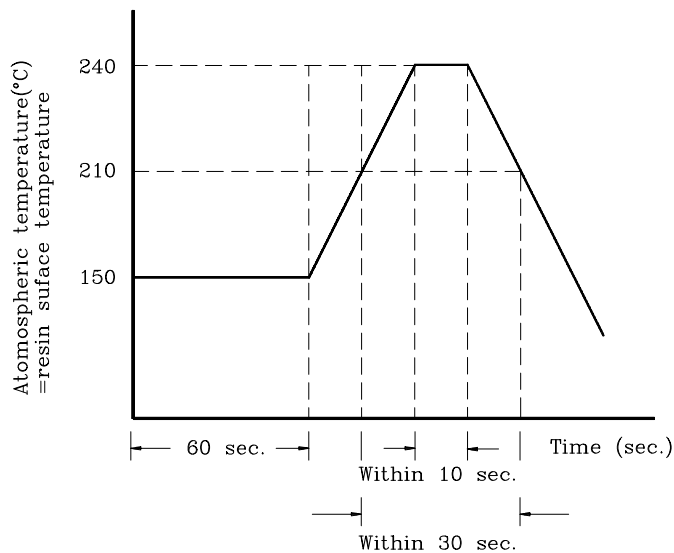


Fig 6

(a) When employing solder reflow method

- ① Atmospheric temperature around resin surfaces must be less than 240°C, not exceeding the time length of 10 sec.
- ② Recommend temperature profile
- ③ Precautions on heating method

When resin is kept exposed to high temperature for a long time, device reliability may be marred. Therefore, it is essential to complete soldering in the shortest time possible to prevent temperature of resin from rising.

(b) When employing halogen lamps or infrared-ray heaters

When halogen lamps or infrared-ray heaters are used, avoid direct irradiation onto resin surfaces; such devices cause extensive localized temperature rise.

※ Please keep a reflow solder operating when TSM/TSV package's soldering.