



IBM31T1100A

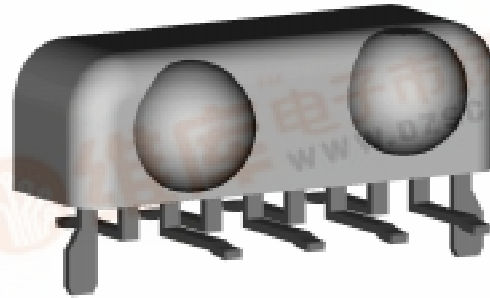
Integrated Infrared Transceiver Module

Highlights

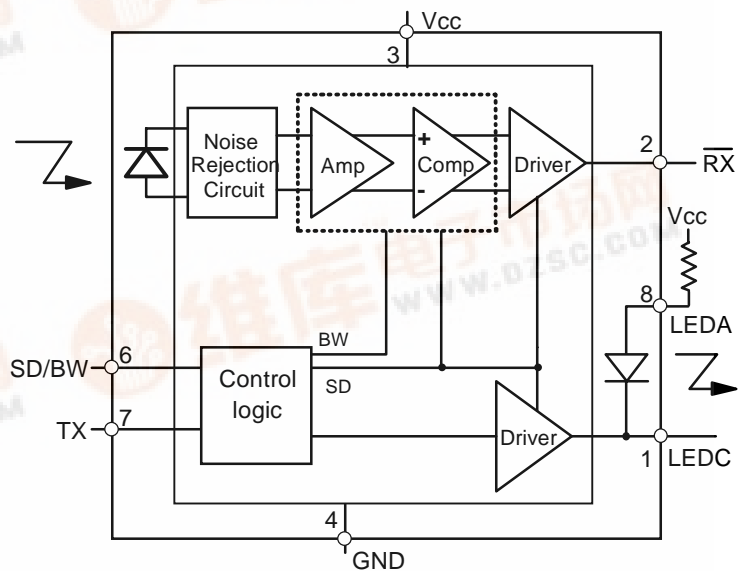
- IrDA 1.1, HP-SIR and Sharp ASK compliant
- Supports IrDA data rates up to 4 Mbps
- Low profile (height = 5.6 mm max.)
- Minimum external components
- On-chip LED protection circuit
- Low power consumption
- 5 V Supply Voltage
- Complete differential receiver design
- Ambient light and noise rejection circuitry
- Shutdown pin for power management
- Programmable bandwidth control
- Compatible with all major Super I/Os

General Description

The IBM31T1100A is a multi-mode integrated infrared (IR) transceiver module for data communication systems. The transceiver supports IrDA speeds up to 4 Mbps, HP-SIR and Sharp ASK modes. Integrated into this tiny package is a photodiode, LED and analog transceiver ASIC to provide a total solution in a single package. A current limiting resistor in series with the LED and a Vcc bypass capacitor are the only external components required to implement a complete transceiver.

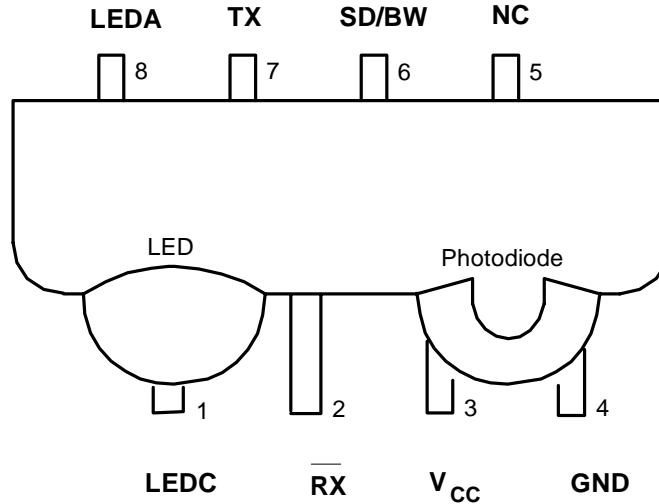


Package



Block Diagram

Pin Assignments and Descriptions



Pin	Pin Name	Description	I/O	Active
1	LEDC	Indicates the state of the internal LED cathode. Normally not connected.	O	Low
2	$\overline{\text{RX}}$	Indicates received serial data. It is a push-pull CMOS driver capable of driving a standard CMOS or TTL load. No external pull-up or pull-down resistor is required. May switch indeterminately when the IBM31T1100A is transmitting.	O	Low
3	V_{cc}	Connect to +5 V power supply. Place a 1.0-10 μF ceramic bypass capacitor as close as possible to this pin.		
4	GND	Connect to ground of the power supply. A solid ground plane is recommended for proper operation.		
5	NC	This pin is reserved for special application use only. No signal should be connected to this pin.		
6	SD/BW	This CMOS input is used to put the IBM31T1100A in shutdown mode. Nominal supply current draw in this mode is 35 μA versus 5 mA in normal mode. Together with the TX input, this pin also sets the receiver bandwidth. If TX is low when SD/BW transitions from high to low, the receiver bandwidth is optimized for operation up to 1.2 Mbps. If TX is high when SD/BW transitions from high to low, the receiver bandwidth is optimized for operation at 4 Mbps.	I	High
7	TX	Used to transmit serial data when SD/BW is low. This CMOS input controls the LED driver. An on-chip protection circuit disables the LED driver if TX is high for more than 60 μsec . This pin is also used to program the bandwidth of the receiver. See SD/BW pin description.	I	High
8	LEDA	Connect this input to V _{cc} through a resistor to set the proper LED current. Add an external LED in series to increase output intensity if required.	I	
	Guide Pins (not shown above)	Two through-hole guide pins provide mechanical stability during board mounting. They also improve heat conduction when the part is in operation.		

NOTE: The IBM31T1100A is pin and plug compatible with the Temic TFDS6000D.

Electrical and Timing Specifications

Absolute Maximum Ratings

<i>Symbol</i>	<i>Parameter</i>	<i>Min</i>	<i>Typ</i>	<i>Max</i>	<i>Unit</i>	<i>Condition</i>
V _{CC}	Supply Voltage Range	-0.5		6	V	
P _D	Power Dissipation			450	mW	
T _J	Junction Temperature			125	°C	
	Storage Temperature Range	-25		85	°C	
	Soldering Temperature			240	°C	See application notes
I _{LED}	LED Current			0.8	A	<2 μs, t _{on} <10%
	Voltage at Any Pin	-0.5		V _{CC} +0.5	V	

Recommended Operating Conditions

<i>Symbol</i>	<i>Parameter</i>	<i>Min</i>	<i>Typ</i>	<i>Max</i>	<i>Unit</i>	<i>Condition</i>
V _{CC}	Supply Voltage	4.5	5	5.5	V	
T _A	Operating Temperature Range	0		70	°C	

DC Electrical Characteristics

T_A = 0 - 70 °C, V_{CC} = 5 V ± 10 %, unless otherwise specified

<i>Symbol</i>	<i>Parameter</i>	<i>Min</i>	<i>Typ</i>	<i>Max</i>	<i>Unit</i>	<i>Condition</i>
I _{CC}	Dynamic Supply Current		5	7	mA	SD = 0 V
I _{CC}	Standby Supply Current		35	100	uA	SD = V _{CC} - 0.5, SC = NC
I _{LED}	Repetitive Pulsed LED Current			0.55	A	< 60 μs, t _{on} ≤ 25 %
V _{OL}	$\overline{\text{RX}}$ Output Voltage Low @ I _{OL} = 2.5 mA		0.3	0.5	V	
V _{OH}	$\overline{\text{RX}}$ Output Voltage High @ -I _{OH} = 2.5 mA	V _{CC} - 0.5			V	
V _{IL}	Input Voltage Low (TX, SD/BW)	0		0.8	V	
V _{IH}	Input Voltage High (TX)	3.0			V	
V _{IH}	Input Voltage High (SD/BW)	V _{CC} - 0.5			V	
I _L	Input Leakage Current	-10		+10	uA	
C _I	Input Capacitance			5	pF	

AC Electrical CharacteristicsT_A = 0 - 70 °C, V_{CC} = 5 V ± 10 %, unless otherwise specified

<i>Symbol</i>	<i>Parameter</i>	<i>Min</i>	<i>Typ</i>	<i>Max</i>	<i>Unit</i>	<i>Condition</i>
t _R	$\overline{\text{RX}}$ Rise Time	10		40	ns	R _{LED} = 2.0 KΩ, C = 50 pF
t _F	$\overline{\text{RX}}$ Fall Time	10		40	ns	R _{LED} = 2.0 KΩ, C = 50 pF
t _S	TX Setup Time to SD/BW Low	200			ns	
t _H	TX Hold Time from SD/BW Low	200			ns	
t _{PW}	$\overline{\text{RX}}$ Pulse Width	0.8		20	us	9.6 kbps
t _{PW}	$\overline{\text{RX}}$ Pulse Width	100		500	ns	1.2 Mbps
t _{PW}	$\overline{\text{RX}}$ Pulse Width	60		165	ns	4 Mbps
t _{PW}	$\overline{\text{RX}}$ Pulse Width	185		290	ns	4 Mbps double pulse
t _D	Output Delay @ E _e = 40 mW/cm ²		1	2	us	≤ 1.2 Mbps
t _L	Latency			120	us	
t _{RXEN}	$\overline{\text{RX}}$ Valid After Shutdown			60	us	
t _{DIS_LED}	LEDC Inactive After TX High			60	us	

Optical CharacteristicsT_A = 0 - 70 °C, V_{CC} = 5 V ± 10%, unless otherwise specified

<i>Symbol</i>	<i>Parameter</i>	<i>Min</i>	<i>Typ</i>	<i>Max</i>	<i>Unit</i>	<i>Condition</i>
E _{emin}	Minimum Detection Irradiance (SIR mode)		0.025	0.035	Wm ⁻²	9.6 - 115 kbps
E _{emin}	Minimum Detection Irradiance		0.035	0.05	Wm ⁻²	1.2 Mbps
E _{emin}	Minimum Detection Irradiance		0.07	0.08	Wm ⁻²	4 Mbps
E _{emax}	Maximum Detection Irradiance	5000			Wm ⁻²	All speeds
I _e	Output Radiant Intensity	100	140	320 (1)	mW/sr	Tx = High, SD = Low, R _{LED} = 5.6 Ω V _{CC} = 5.0, α = 0°, α = ±15°, T _A = 25 °C
				0.4	uW/sr	Tx = Low or SD = High, R _{LED} = 5.6 Ω V _{CC} = 5.0, α = 0°, α = ±15°, T _A = 25 °C
α	Output Radiant Intensity Half Angle		±24		°	
λ _P	Peak Wavelength	880		900	nm	
	Optical Overshoot			25	%	

1. Maximum intensity specified for class 1 operation of IEC 825-1

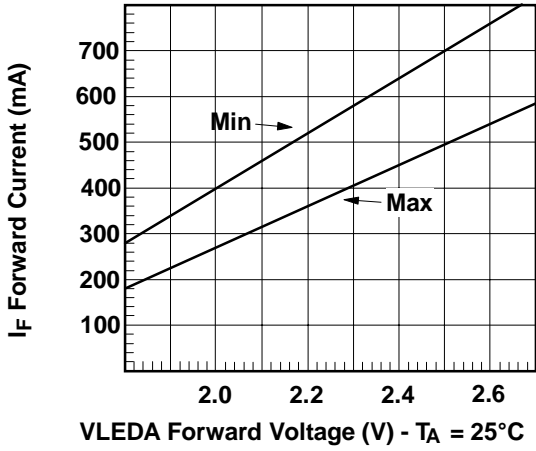


Figure 1. VLEDA to GND Voltage vs. peak LED current.

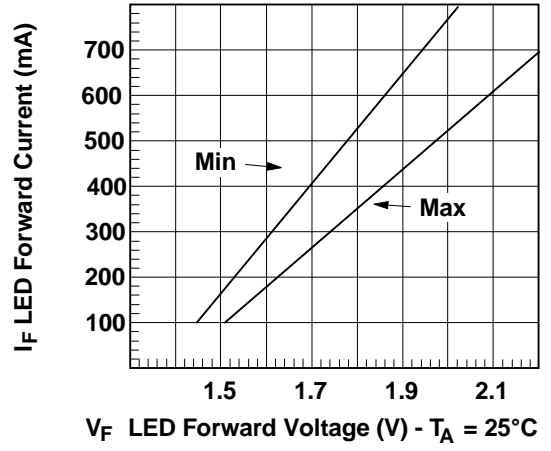


Figure 2. LED Forward Voltage vs. Current

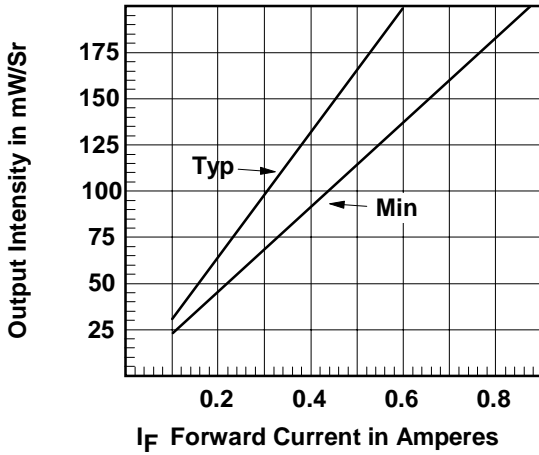


Figure 3. Output Intensity vs. Current

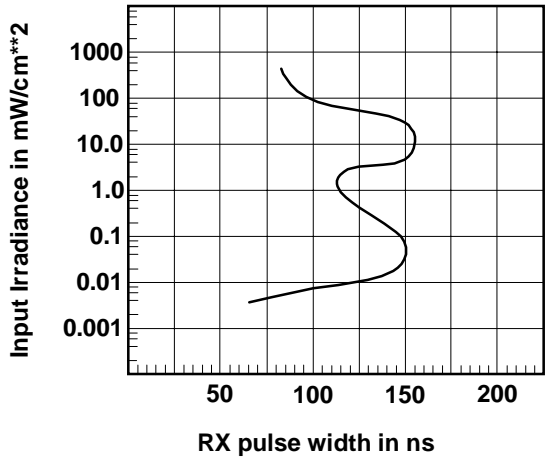


Figure 4. RX pulse width vs. Irradiance - 4 Mbps mode.

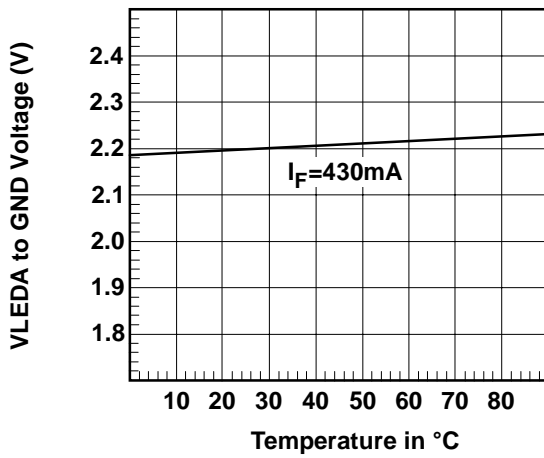


Figure 5. VLEDA to GND Voltage vs. Temperature.

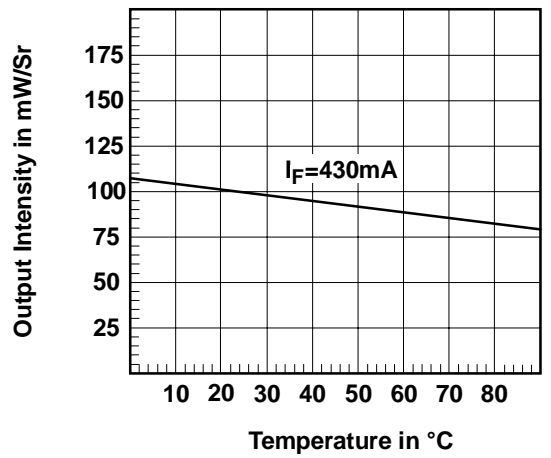


Figure 6. Output Intensity vs. Temperature

Timing Diagrams

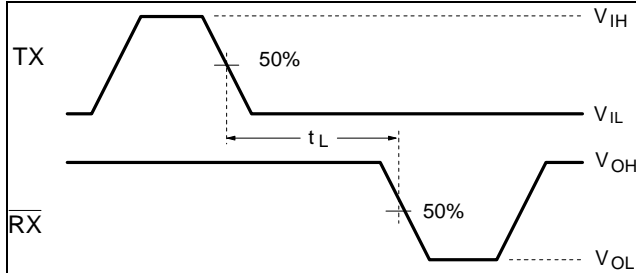


Figure 7. Latency Timing

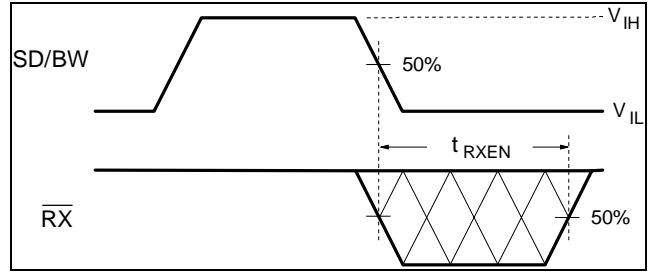


Figure 8. $\overline{\text{RX}}$ valid after Shutdown.

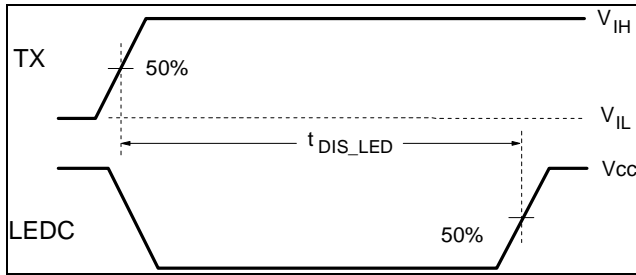


Figure 9. LED Protection Timing

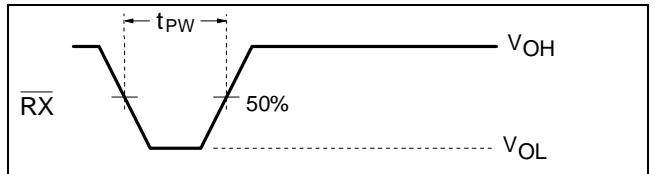


Figure 10. $\overline{\text{RX}}$ Timing, 1.2 and 4 Mbps mode

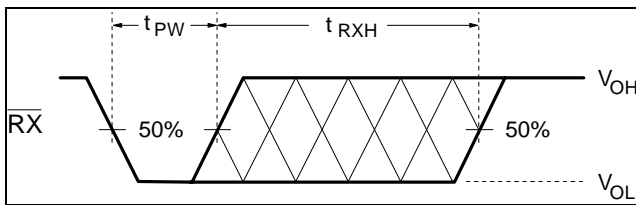


Figure 11. $\overline{\text{RX}}$ Timing, SIR mode. The output is indeterminate in the shaded area. Spurious transitions may occur.

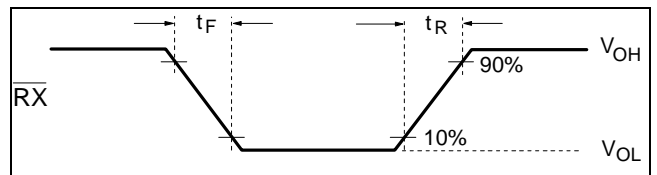


Figure 12. $\overline{\text{RX}}$ Rise and Fall timing measurements.

Programming the Receiver Bandwidth

The IBM31T1100A powers on with the upper limit of the receiver bandwidth set to 1.2 Mbps operation. To set the bandwidth for operation at 4 Mbps, apply timings as shown in Figure 14 to the SD/BW and the TX inputs. Note that the internal LED driver is disabled when SD/BW is active and is not enabled until the next rising edge of TX. This ensures that the LED(s) will not be active during bandwidth adjustment. It is recommended that the SD/BW pin be connected to GND if bandwidth adjustment and shutdown mode are not used.

To switch the IBM31T1100A from the default state to 4 Mbps and vice versa, the programming specifications are as follows:

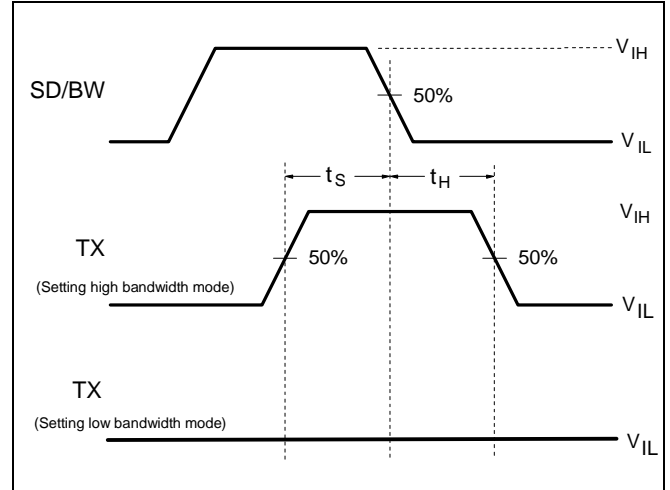


Figure 13. Bandwidth Programming

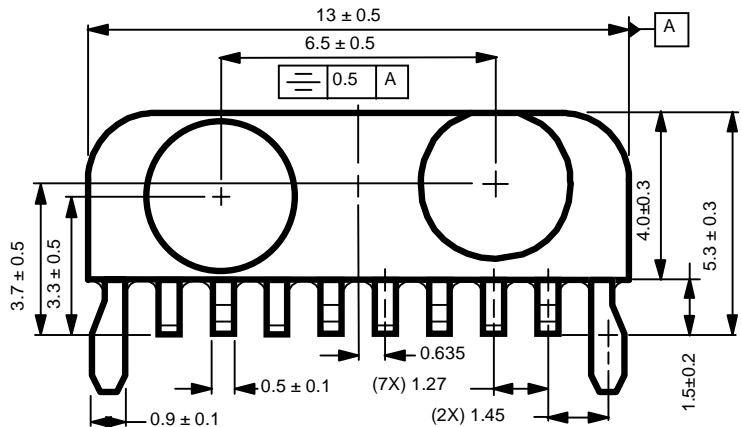
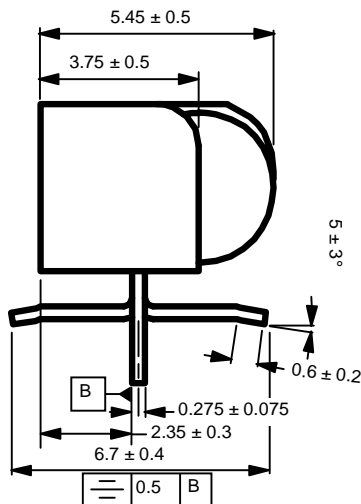
Setting the receiver to 4 Mbps mode

1. Set the SD/BW input to logic high.
2. Set the TX input to logic high. Wait $t_s \geq 200$ ns.
3. Set the SD/BW to logic low. (This high-to-low transition latches the state of TX, which determines the receiver bandwidth.)
4. After waiting $t_H \geq 200$ ns, set the TX input to logic low. The receiver is now in high bandwidth mode, the optimal setting for 4 Mbps operation.

Setting the receiver to 9.6 kbps-to-1.2 Mbps mode

1. Set the SD/BW input to logic high.
2. Ensure that the TX input is at logic low. Wait $t_s \geq 200$ ns.
3. Set the SD/BW to logic low. (This high-to-low transition latches the state of TX, which determines the receiver bandwidth.)
4. Ensure that the TX input remains low for $t_H \geq 200$ ns. The receiver is now in low bandwidth mode, which is the optimal setting for data rates from 9.6 kbps to 1.2 Mbps.

Package Dimensions



Dimensions in mm.

Revision History

The following changes have been made in the specifications from the IBM31T1100 data sheet.

- 1. Improved Irradiance values have been updated.
- 2. LED protection circuit has been added.
- 3. The \overline{RX} rise time specification is 40 ns instead of 35 ns.
- 4. 200K internal pull-down resistor has been removed from the SD/BW pin.
- 5. Output Intensity and \overline{RX} pulse width graphs have been updated.

Ordering Information

Order Part Number	Qty/Reel
IBM31T1100A	750 Pieces



© International Business Machines Corporation 1995

Printed in the United States of America
5-97
All Rights Reserved

® IBM and the IBM logo are registered trademarks of the IBM Corporation.

IBM Microelectronics is a trademark of the IBM Corporation.

™

Hewlett-Packard is a registered trademark of Hewlett-Packard Corporation.
Sharp is a trademark of Sharp Electronics Corporation.

All other registered trademarks and trademarks are the properties of their respective companies.

The information provided is believed to be accurate and reliable. IBM reserves the right to make changes to the product described without notice. No liability is assumed as a result of its use nor for any infringement of the rights of others.

This document may contain preliminary information and is subject to change by IBM without notice. IBM assumes no responsibility of liability for any use of the information contained herein. Nothing in this document shall operate as an express or implied license or indemnity under the intellectual property rights of IBM or third parties. The products described in this document are not intended for use in implantation or other direct life support applications where malfunction may result in direct physical harm or injury to persons. NO WARRANTIES OF ANY KIND, INCLUDING, BUT NOT LIMITED TO, THE IMPLIED WARRANTIES OF MERCHANTABILITY OR FITNESS FOR A PARTICULAR PURPOSE ARE OFFERED IN THIS DOCUMENT.

IBM Microelectronics Division
1580 Route 52, Bldg. 504
Hopewell Junction, NY
12533-6531

The IBM home page can be found at <http://www.ibm.com>

The IBM Microelectronics Division home page can be found at <http://www.chips.ibm.com>

GH45-5286-01