



# ICS513 LOCO™ PLL Clock Generator

## Description

The ICS513 LOCO™ is the most cost effective way to generate a high quality, high frequency clock output from a 14.31818 MHz crystal or clock input. The name LOCO stands for Low Cost Oscillator, as it is designed to replace crystal oscillators in many electronic systems. Using Phase-Locked-Loop (PLL) techniques, the device uses a standard, inexpensive crystal to produce output clocks up to 100 MHz.

Stored in the chip's ROM is the ability to generate 5 different output frequencies, allowing one chip to work in different speed processor systems.

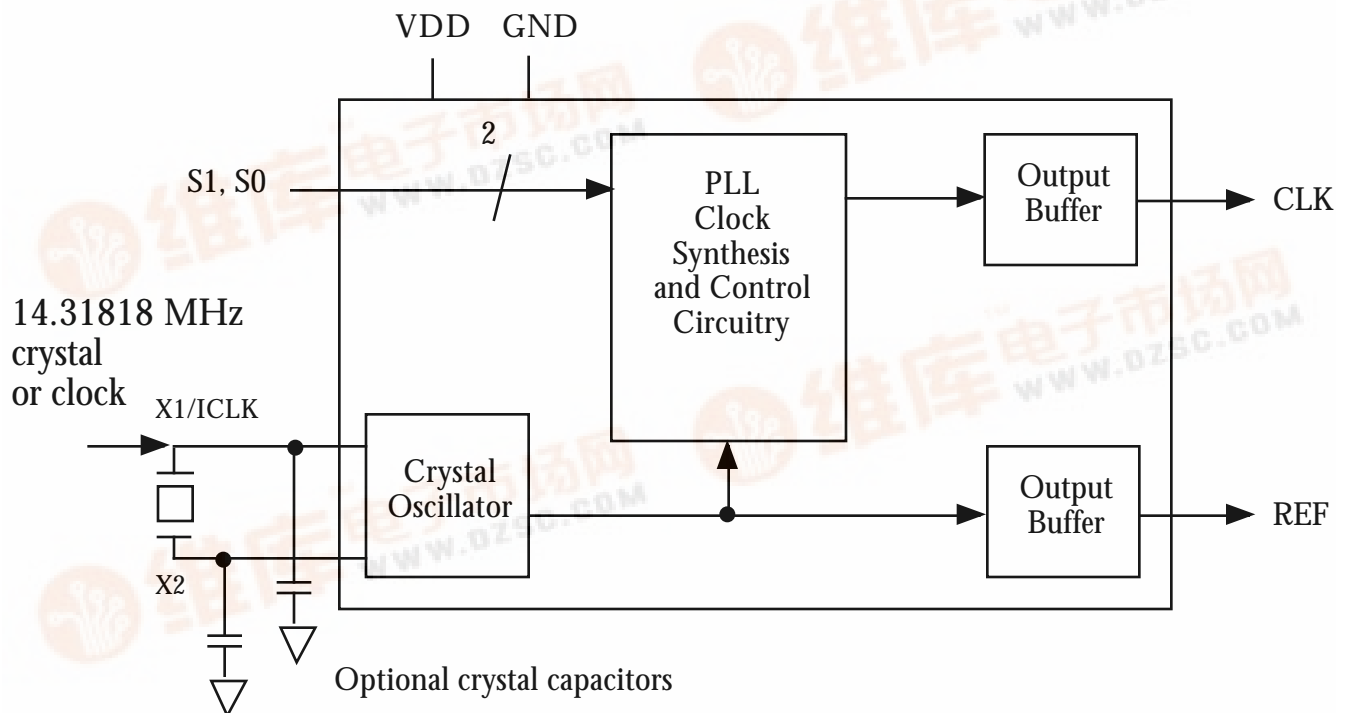
The device also has a power down mode that turns off the clock outputs when both select pins are low. In this mode, the internal PLL is not running.

## Features

- Packaged as 8 pin SOIC
- ICS' lowest cost PLL clock plus reference
- Produces common computer frequencies
- Input crystal frequency typically 14.3182 MHz
- Output clock frequencies up to 100 MHz
- Low jitter - 40 ps one sigma
- Compatible with all popular CPUs
- Duty cycle of 45/55
- Custom frequencies available
- Operating voltages of 3.0 to 5.5 V
- Power down mode turns off chip
- 25mA drive capability at TTL levels
- Advanced, low power CMOS process



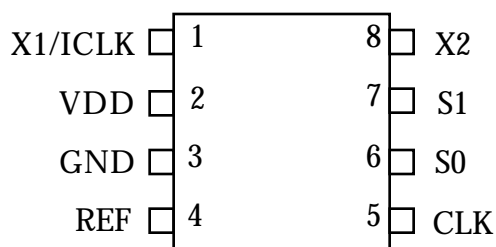
## Block Diagram





# ICS513 LOCO™ PLL Clock Generator

## Pin Assignment



## Clock Decoding Table (MHz) with 14.31818MHz Crystal or Clock Input

S1	S0	CLK	Multiplier	Accuracy
0	0	Power Down CLK	-	-
0	1	100	6.984	1 ppm
M	0	24	1.676	1 ppm
M	1	14.31818	1	0 ppm
1	0	48	3.353	0.017%
1	1	3.6864	0.2576	0.044%

0 = connect directly to ground.

1 = connect directly to VDD.

M = leave unconnected (floating).

CLK and REF stop low in power down state.

## Pin Descriptions

Number	Name	Type	Description
1	X1/ICLK	I	Crystal connection to 14.31818 MHz crystal or clock input.
2	VDD	P	Connect to +3.3 V or +5 V.
3	GND	P	Connect to ground.
4	REF	O	Reference 14.31818 MHz crystal oscillator buffered clock output.
5	CLK	O	Clock output per table above.
6	S0	TI	Select 0 for output clock. Connect to GND or VDD or float. See table above.
7	S1	TI	Select 1 for output clock. Connect to GND or VDD or float. See table above.
8	X2	O	Crystal connection to 14.31818 MHz crystal. Leave unconnected for clock input.

Key: I = Input, TI = Tri-Level Input, O = output, P = power supply connection

- Notes:
1. With S1 = S0 = 0, the internal PLL is turned off and the CLK output stops low. The crystal oscillator and REF output are still active.
  2. With a clock input, the phase relationship between the input and output clocks can change each time the device is powered on. If a fixed phase relationship is required, please use our ICS571 or other zero delay multiplier.



# ICS513 LOCO™ PLL Clock Generator

## Electrical Specifications

Parameter	Conditions	Minimum	Typical	Maximum	Units
<b>ABSOLUTE MAXIMUM RATINGS (stresses beyond these can permanently damage the device)</b>					
Supply Voltage, VDD	Referenced to GND			7	V
Inputs	Referenced to GND	-0.5		VDD+0.5	V
Clock Output	Referenced to GND	-0.5		VDD+0.5	V
Ambient Operating Temperature		0		70	°C
Soldering Temperature	Max of 10 seconds			260	°C
Storage temperature		-65		150	°C
<b>DC CHARACTERISTICS (VDD = 5.0 V unless otherwise noted)</b>					
Operating Voltage, VDD		3		5.5	V
Input High Voltage, VIH, ICLK only	ICLK (Pin 1)	(VDD/2)+1	VDD/2		V
Input Low Voltage, VIL, ICLK only	ICLK (Pin 1)		VDD/2	(VDD/2)-1	V
Input High Voltage, VIH	S0	2			V
Input Low Voltage, VIL	S0			0.8	V
Input High Voltage, VIH	S1	VDD-0.5			V
Input Low Voltage, VIM	S1		VDD/2		V
Input Low Voltage, VIL	S1			0.5	V
Output High Voltage, VOH	IOH=-25mA	2.4			V
Output Low Voltage, VOL	IOL=25mA			0.4	V
IDD Operating Supply Current	No Load, 100 MHz		20		mA
IDD Power Down Supply Current, 3.3 V	S1 = S0 = 0		1.5		mA
Short Circuit Current	CLK output		±70		mA
On-Chip Pull-up Resistor	Pin 6		270		k
Input Capacitance, S1, S0	Pins 6, 7		4		pF
<b>AC CHARACTERISTICS (VDD = 5.0V unless otherwise noted)</b>					
Input Frequency, crystal input		5	14.31818	27	MHz
Input Frequency, clock input		2	14.31818	50	MHz
Output Frequency	VDD = 4.5 to 5.5 V	14	100	140	MHz
Output Frequency	VDD = 3.0 to 3.6 V	14	100	100	MHz
Output Clock Rise Time	0.8 to 2.0V		1		ns
Output Clock Fall Time	2.0 to 0.8V		1		ns
Output Clock Duty Cycle	1.5V, up to 140 MHz	45	49 to 51	55	%
Power up time, from PD to outputs stable			5	10	ms
Power down time, from running to PD state				50	ns
Absolute Clock Period Jitter	Deviation from mean		±110		ps
One Sigma Clock Period Jitter			40		ps

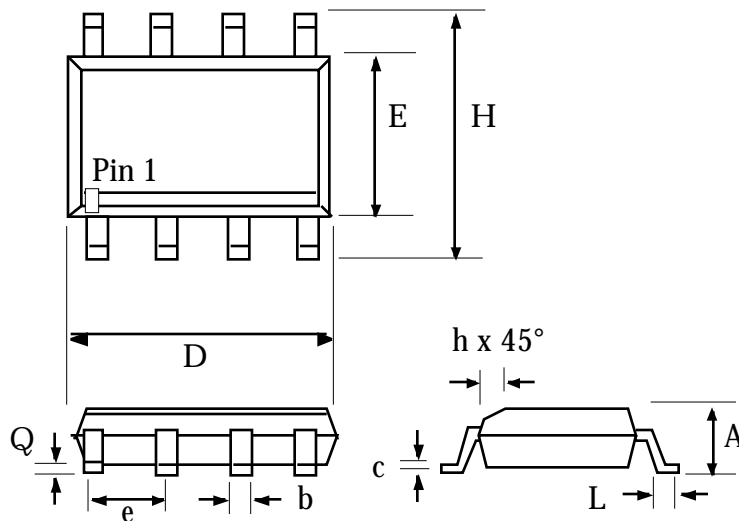


# ICS513 LOCO™ PLL Clock Generator

## External Components / Crystal Selection

The ICS513 requires a 0.01μF decoupling capacitor to be connected between VDD and GND. It must be connected close to the ICS513 to minimize lead inductance. No external power supply filtering is required for this device. A 33 terminating resistor can be used next to the CLK and REF pins. The total on-chip capacitance is approximately 12 pF, so a parallel resonant, fundamental mode crystal should be used. For crystals with a specified load capacitance greater than 12 pF, crystal capacitors should be connected from each of the pins X1 and X2 to Ground as shown in the Block Diagram on page 1. The value (in pF) of these crystal caps should be =  $(C_L - 12) * 2$ , where  $C_L$  is the crystal load capacitance in pF. These external capacitors are only required for applications where the exact frequency is critical. For a clock input, connect to X1 and leave X2 unconnected (no capacitors on either).

## Package Outline and Package Dimensions



### 8 pin SOIC

Symbol	Inches		Millimeters	
	Min	Max	Min	Max
A	0.055	0.068	1.397	1.7272
b	0.013	0.019	0.330	0.483
D	0.185	0.200	4.699	5.080
E	0.150	0.160	3.810	4.064
H	0.225	0.245	5.715	6.223
e	.050 BSC		1.27 BSC	
h		0.015		0.381
L	0.016	0.035	0.406	0.889
Q	0.004	0.01	0.102	0.254

## Ordering Information

Part/Order Number	Marking	Package	Temperature
ICS513M	ICS513M	8 pin SOIC	0-70°C
ICS513MT	ICS513M	8 pin SOIC on tape and reel	0-70°C

While the information presented herein has been checked for both accuracy and reliability, Integrated Circuit Systems, Incorporated (ICS) assumes no responsibility for either its use or for the infringement of any patents or other rights of third parties, which would result from its use. No other circuits, patents, or licenses are implied. This product is intended for use in normal commercial applications. Any other applications such as those requiring extended temperature range, high reliability, or other extraordinary environmental requirements are not recommended without additional processing by ICS. ICS reserves the right to change any circuitry or specifications without notice. ICS does not authorize or warrant any ICS product for use in life support devices or critical medical instruments.

LOCO is a trademark of ICS