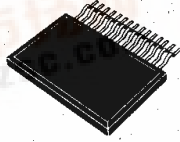


# STK3152III



4053A

Thick Film Hybrid IC

## 2-Channel Voltage Amplifier for 120 to 150W AF Power Amplifier (Dual Supplies)

©1633A

### Features

- . The AC amp circuit configuration eliminates the need to use an external midpoint adjust circuit.
- . External parts provide more flexibility in phase compensation.
- . Low distortion (0.005%) due to built-in current mirror circuit.

### Maximum Ratings at Ta=25°C

			unit
Maximum Supply Voltage	V <sub>CCmax</sub>	±90	V
Operating Case Temperature	T <sub>C</sub>	115	°C
Storage Temperature	T <sub>stg</sub>	-30 to +115	°C

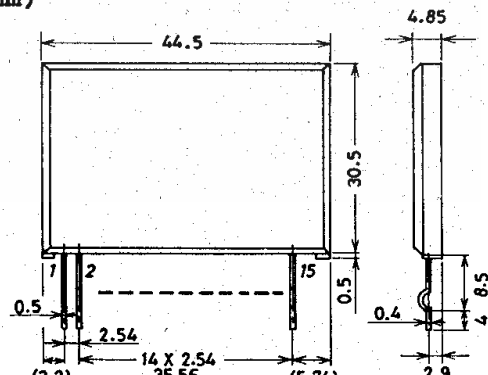
### Operating Characteristics at Ta=25°C, VG=40dB, See Test Circuit.

		min	typ	max	unit
Current Dissipation	I <sub>CC</sub> V <sub>CC</sub> =±72V		20	30	mA
Midpoint Voltage	V <sub>N</sub> V <sub>CC</sub> =±72V	-50		+50	mV
Output Noise Voltage	V <sub>NO</sub> V <sub>CC</sub> =±72V, R <sub>g</sub> =10kohms			1.0	mV
Input Resistance	r <sub>i</sub> V <sub>CC</sub> =±72V, f=1kHz, V <sub>o</sub> =2.83V		92		kohm
Total Harmonic Distortion	THD V <sub>CC</sub> =±60V, f=20kHz, V <sub>o</sub> =34.6V			0.005	%

### Remarks

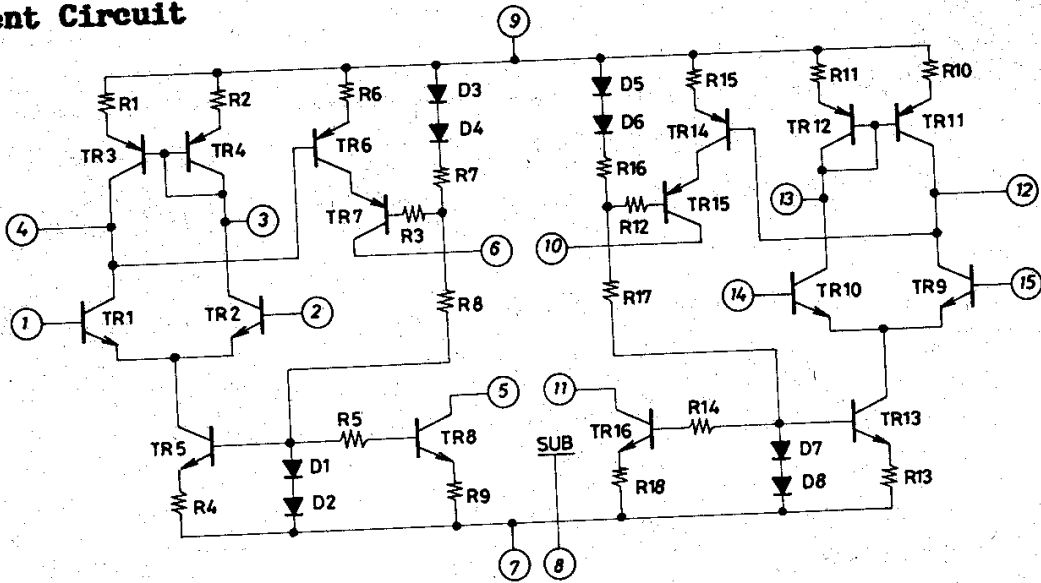
- . When testing, use a regulated power supply unless otherwise specified.

### Case Outline 4053A (unit:mm)



# STK3152III

## Equivalent Circuit



## Test Circuit

