



PRELIMINARY

## 4-BIT SINGLE CHIP OTP MICRO CONTROLLER

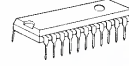
### ■ GENERAL DESCRIPTION

The **NJU3552** is the C-MOS 4-bit Single Chip OTP type Micro Controller with programmable Flash Memory.

It is completely compatible with the **NJU3502** in function and the pin configuration. Therefore, the **NJU3552** is suitable for the final evaluation before **NJU3502** mask generation, the small quantity production and short lead-time.

\* In this data sheet, only OTP programming and the difference between **NJU3552** and **NJU3502** are mentioned mainly. Therefore the detail function and specification should be referred on the **NJU3502** data sheet.

### ■ PACKAGE OUTLINE



NJU3552L

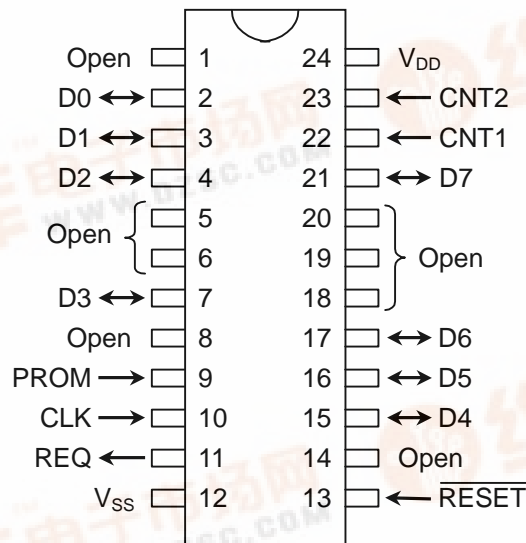


NJU3552M

### ■ FEATURES

- Internal One Time Programmable ROM 1,024 X 8bits
- Internal Data RAM 64 X 4bits
- Wide operating voltage range 2.7V ~ 5.5V
- Package outline SDIP24 / DMP24
- ROM programmer "SUPERPRO/L" by XELTEK co.,.

### ■ PIN CONFIGURATION IN OTP PROGRAMMING MODE

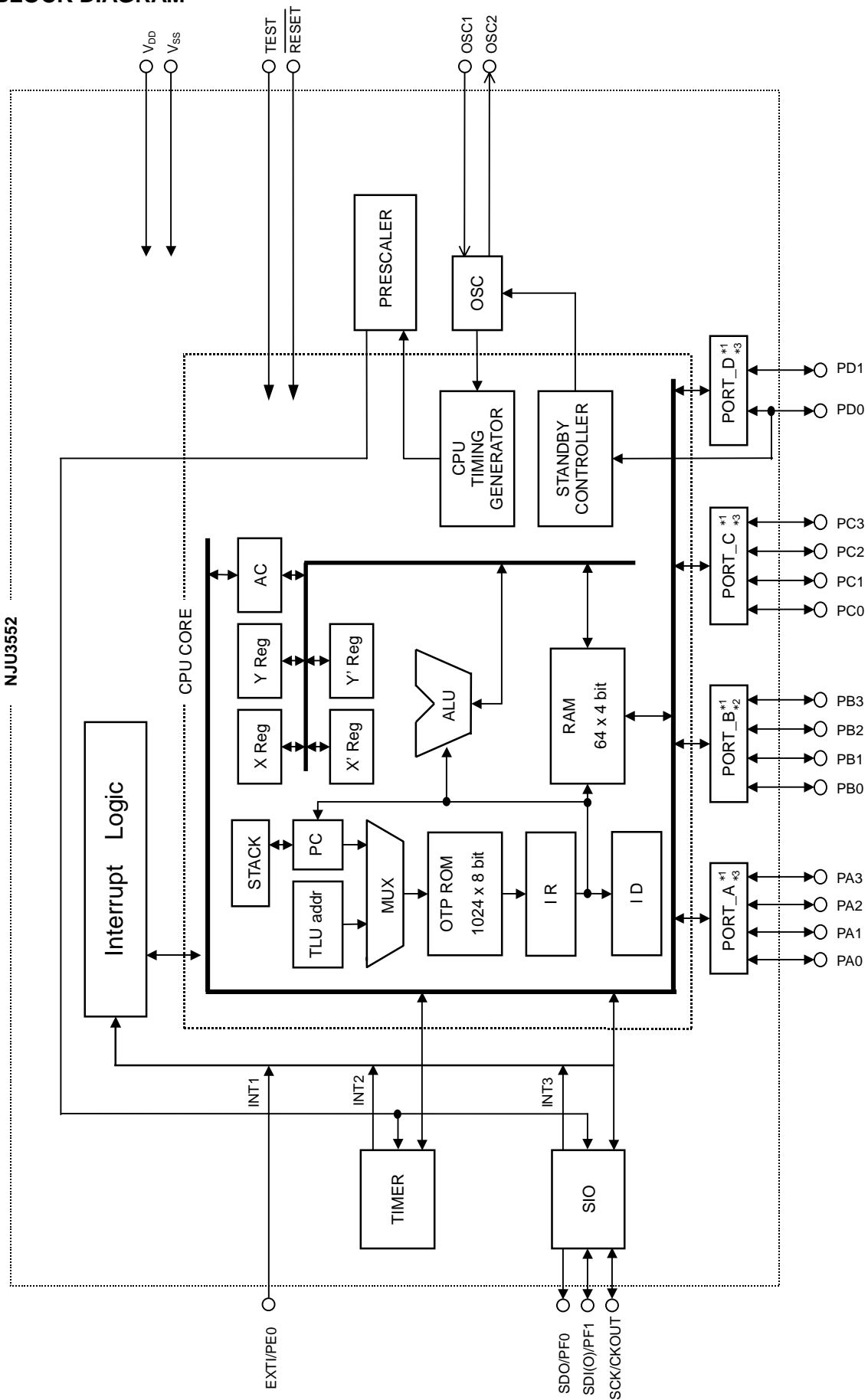


Note) The pin configuration in Normal operating mode is the same as **NJU3502**.



# NJU3552

## ■ BLOCK DIAGRAM



\*1 refer [INPUT OUTPUT TERMINAL TYPE]

\*2 Input / Output direction of 4-bit group is changed by the program.

\*3 Input / Output direction of each bit is selected by mask option.

NJU3552

## ■ TERMINAL DESCRIPTION IN OTP PROGRAMMING MODE

No.	SYMBOL	INPUT/OUTPUT	FUNCTION
13	RESET	INPUT	RESET terminal. When the low-level input-signal, the system is initialized.
2 - 4, 7, 15 - 17, 21	D0 - D7	INPUT/OUTPUT	Data bus
22, 23	CNT1 CNT2	INPUT INPUT	OTP control input terminal
11	REQ	OUTPUT	Request output terminal
10	CLK	INPUT	Clock input terminal
9	PROM	INPUT	OTP programming enable terminal
24	V <sub>DD</sub>	-	Power Source (5V)
12	V <sub>SS</sub>	-	Power Source (0V)

- Note 1) Use at V<sub>DD</sub>=5V in OTP programming mode.  
 2) Non connect anything to the other terminals.

## ■ Difference between NJU3552 (OTP version) and NJU3502 (MASK version)

### ● Operating mode

**NJU3552** has two operating modes. One is "Normal operating mode" and the other is "OTP programming mode".

#### • Normal operating mode

The "TEST" terminal is set to low level. (The terminal is recommended to connect to GND.)  
 Operating voltage range; 2.7V ~ 5.5V.

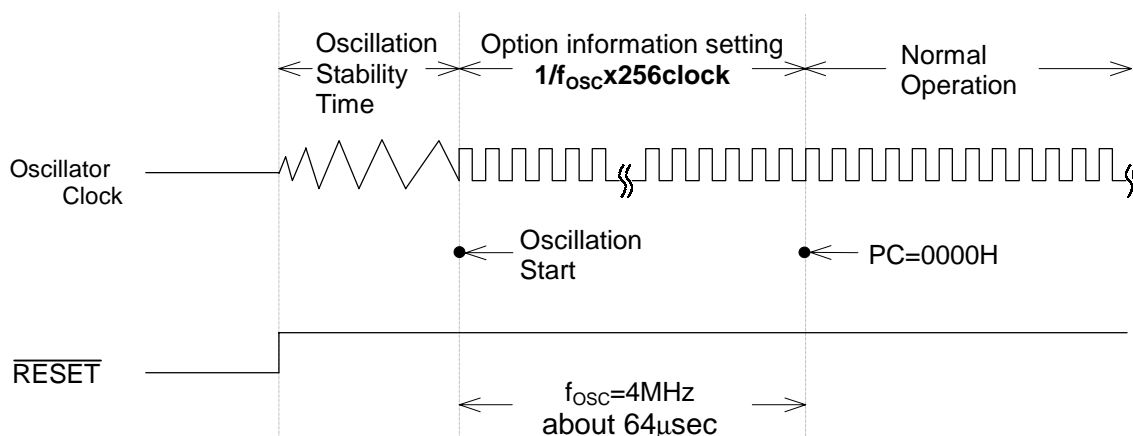
#### • OTP Programming mode

User program is read out from or written into the OTP by the universal programmer "SUPERPRO/L" and converting adapter made by XELTEK co.,(USA).

### ● Option information set in the initialization

When the initialization is performed (RESET terminal is "L"), the operation information stored in option area is set as shown in the following timing chart. The option information is set in the term of  $1 / f_{osc} \times 256clock$  after RESET releasing and oscillation stability time. After information set, the program counter is set to 0000H and the **NJU3552** operates in normal.

### [ TIMING CHART ]



# NJU3552

## ■ ABSOLUTE MAXIMUM RATINGS

(Ta=25°C)

PARAMETER	SYMBOL	RATINGS	UNIT
Supply Voltage	V <sub>DD</sub>	-0.3 ~ +7.0	V
Input Voltage	V <sub>IN</sub>	-0.3 ~ V <sub>DD</sub> + 0.3	V
Output Voltage	V <sub>OUT</sub>	-0.3 ~ V <sub>DD</sub> + 0.3	V
Operating Temperature	T <sub>opr</sub>	-20 ~ +75	°C
Storage Temperature	T <sub>stg</sub>	-55 ~ +125	°C

Note)

The difference of electrical characteristics between **NJU3552** (OTP version) and **NJU3502** (MASK version)

	<b>NJU3502</b>		<b>NJU3552</b>
•Supply Voltage (V <sub>DD</sub> ) MIN.	2.4V	→	2.7V
•Supply Current			
5V (I <sub>DD1</sub> ) Max.	4.0mA	→	30mA
(I <sub>DD2</sub> ) Max.	4.0mA	→	30mA
(I <sub>DD3</sub> ) Max.	3.8mA	→	30mA
(I <sub>DD4</sub> ) Max.	4.0μA		20μA
3V (I <sub>DD1</sub> ) Max.	2.0mA	→	20mA
(I <sub>DD2</sub> ) Max.	2.0mA	→	20mA
(I <sub>DD3</sub> ) Max.	1.8mA		20mA
(I <sub>DD4</sub> ) Max.	2.0μA	→	20μA

## ■ ELECTRICAL CHARACTERISTICS    DC CHARACTERISTICS    1

( $V_{DD}=3.6\sim 5.5V$ ,  $V_{SS}=0V$ ,  $T_a=-20\sim 75^\circ C$ )

PARAMETER	SYM BOL	CON DITIONS	MIN	TYP	MAX	UNIT	NOTE
Supply Voltage	$V_{DD}$	$V_{DD}$	3.6		5.5	V	
Supply Current	$I_{DD1}$	$V_{DD}$ $V_{DD}=5V$ , $f_{OSC}=2MHz$ X'tal Oscillation in Reset			30	mA	*3
	$I_{DD2}$	$V_{DD}$ $V_{DD}=5V$ , $f_{OSC}=2MHz$ Ceramic Oscillation in Reset			30	mA	*3
	$I_{DD3}$	$V_{DD}$ $V_{DD}=5V$ , $f_{OSC}=2MHz$ CR Oscillation in Reset			30	mA	*3
	$I_{DD4}$	$V_{DD}$ $V_{DD}=5V$ , STANDBY Mode			20	$\mu A$	*3
	$I_{DD5}$	$V_{DD}$ $V_{DD}=5V$ , $f_{OSC}=4MHz$ , Operating			30	mA	*3
High-Level Input Voltage	$V_{IH1}$	PA0~PA3, PB0~PB3, PC0~PC3, SDI(O)/PF1, SCK/CKOUT	$0.7V_{DD}$		$V_{DD}$	V	*1
	$V_{IH2}$	PD0, PD1, EXTI/PE0, $\overline{RESET}$	$0.8V_{DD}$		$V_{DD}$	V	*1
	$V_{IH3}$	OSC1	$V_{DD}-1.0$		$V_{DD}$	V	
Low-level Input Voltage	$V_{IL1}$	PA0~PA3, PB0~PB3, PC0~PC3, SDI(O)/PF1, SCK/CKOUT	0		$0.3V_{DD}$	V	*1
	$V_{IL2}$	PD0, PD1, EXTI/PE0, $\overline{RESET}$	0		$0.2V_{DD}$	V	*1
	$V_{IL3}$	OSC1	0		1.0	V	
High-Level Input Current	$I_{IH}$	$V_{DD}=5.5V$ , $V_{IN}=5.5V$ PA0~PA3, PB0~PB3, PC0~PC3, PD0, PD1, EXTI/PE0, SDI(O)/PF1, $\overline{RESET}$ , SCK/CKOUT			10	$\mu A$	*1
Low-Level Input Current	$I_{IL1}$	$V_{DD}=5.5V$ , $V_{IN}=0V$ Without pull-up resistance PA0~PA3, PB0~PB3, PC0~PC3, PD0, PD1, EXTI/PE0, SDI(O)/PF1, $\overline{RESET}$			-10	$\mu A$	*1
	$I_{IL2}$	$V_{DD}=5.5V$ , $V_{IN}=0V$ With pull-up resistance PA0~PA3, PB0~PB3, PC0~PC3, PD0, PD1, EXTI/PE0, SDI(O)/PF1, SCK/CKOUT			-100	$\mu A$	*1
High-Level Output Voltage	$V_{OH}$	$I_{OH}=-100\mu A$ PA0~PA3, PC0~PC3, PD0, PD1, SDO/PF0, SDI(O)/PF1, SCK/CKOUT	$V_{DD}-0.5$			V	*2
Low-Level Output Voltage	$V_{OL1}$	$I_{OL1}=400\mu A$ PA0~PA3, PC0~PC3, PD0, PD1, SDO/PF0, SDI(O)/PF1, SCK/CKOUT			0.5	V	*2
	$V_{OL2}$	$I_{OL2}=15mA$ PB0~PB3			2.0	V	*2
Output Leakage Current	$I_{OD}$	$V_{DD}=5.5V$ , $V_{OH}=5.5V$ PB0~PB3			10	$\mu A$	*2
Input Capacitance	$C_{IN}$	Except $V_{DD}$ , $V_{SS}$ terminals $f_{OSC}=1MHz$ Other terminals : 0V		10	20	pF	

\*1 Input/output port is set as an Input terminal.

\*2 Input/output port is set as an Output terminal.

\*3 Except the current through Pull-up resistor.

# NJU3552

## ■ ELECTRICAL CHARACTERISTICS DC CHARACTERISTICS 2

( $V_{DD}=2.7\sim 3.6V$ ,  $V_{SS}=0V$ ,  $T_a=-20\sim 75^{\circ}C$ )

PARAMETER	SYM BOL	COND I T I O N S	MIN	TYP	MAX	UNIT	NOTE
Supply Voltage	$V_{DD}$	$V_{DD}$	2.7		3.6	V	
Supply Current	$I_{DD1}$	$V_{DD}$ $V_{DD}=3V$ , $f_{OSC}=1MHz$ X'tal Oscillation in Reset			20	mA	*3
	$I_{DD2}$	$V_{DD}$ $V_{DD}=3V$ , $f_{OSC}=1MHz$ Ceramic Oscillation in Reset			20	mA	*3
	$I_{DD3}$	$V_{DD}$ $V_{DD}=3V$ , $f_{OSC}=1MHz$ CR Oscillation in Reset			20	mA	*3
	$I_{DD4}$	$V_{DD}$ $V_{DD}=3V$ , STANDBY Mode			20	$\mu A$	*3
	$I_{DD5}$	$V_{DD}$ $V_{DD}=3V$ , $f_{OSC}=2MHz$ , Operating			20	mA	*3
High-Level Input Voltage	$V_{IH1}$	PA0~PA3, PB0~PB3, PC0~PC1, SDI(O)/PL1, SCK/CKOUT	$0.8V_{DD}$		$V_{DD}$	V	*1
	$V_{IH2}$	PD0, PD1, EXTI/PE0, $\overline{RESET}$	$0.85V_{DD}$		$V_{DD}$	V	*1
	$V_{IH3}$	OSC1	$V_{DD}-0.3$		$V_{DD}$	V	
Low-level Input Voltage	$V_{IL1}$	PA0~PA3, PB0~PB3, PC0~PC3, SDI(O)/PF1, SCK/CKOUT	0		$0.2V_{DD}$	V	*1
	$V_{IL2}$	PD0, PD1, EXTI/PE0, $\overline{RESET}$	0		$0.15V_{DD}$	V	*1
	$V_{IL3}$	OSC1	0		0.3	V	
High-Level Input Current	$I_{IH}$	$V_{DD}=3.6V$ , $V_{IN}=3.6V$ PA0~PA3, PB0~PB3, PC0~PC3, PD0, PD1, EXTI/PE0, SDI(O)/PF1, $\overline{RESET}$ , SCK/CKOUT			10	$\mu A$	*1
Low-Level Input Current	$I_{IL1}$	$V_{DD}=3.6V$ , $V_{IN}=0V$ Without pull-up resistance PA0~PA3, PB0~PB3, PC0~PC3, PD0, PD1, EXTI/PE0, SDI(O)/PF1, $\overline{RESET}$			-10	$\mu A$	*1
	$I_{IL2}$	$V_{DD}=3.6V$ , $V_{IN}=0V$ With pull-up resistance PA0~PA3, PB0~PB3, PC0~PC3, PD0, PD1, EXTI/PE0, SDI(O)/PF1, SCK/CKOUT			-100	$\mu A$	*1
High-Level Output Voltage	$V_{OH}$	$I_{OH}=-80\mu A$ PA0~PA3, PC0~PC3, PD0, PD1, SDO/PF0, SDI(O)/PF1, SCK/CKOUT	$V_{DD}-0.5$			V	*2
Low-Level Output Voltage	$V_{OL1}$	$I_{OL1}=350\mu A$ PA0~PA3, PC0~PC3, PD0, PD1, SDO/PF0, SDI(O)/PF1, SCK/CKOUT			0.5	V	*2
	$V_{OL2}$	$I_{OL2}=5mA$ PB0~PB3			1.0	V	*2
Output Leakage Current	$I_{OD}$	$V_{DD}=3.6V$ , $V_{OH}=3.6V$ PB0~PB3			10	$\mu A$	*2
Input Capacitance	$C_{IN}$	Except $V_{DD}$ , $V_{SS}$ terminals $f_{OSC}=1MHz$ Other terminals : 0V		10	20	pF	

\*1 Input/output port is set as an Input terminal.

\*2 Input/output port is set as an Output terminal.

\*3 Except the current through Pull-up resistor.

## ■ ELECTRICAL CHARACTERISTICS    AC CHARACTERISTICS    1

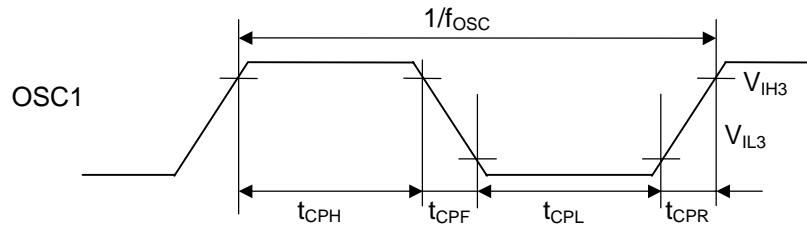
(V<sub>SS</sub>=0V, T<sub>a</sub>= -20~75°C)

PARAMETER	SYM BOL	CONDITIONS		MIN	TYP	MAX	UNIT
Operating Frequency	f <sub>OSC</sub>	V <sub>DD</sub> =2.7~3.6V	X'tal Resonator	0.03		2.0	MHz
			Ceramic Resonator	0.03		2.0	
			External Resistor Oscillation	0.03		1.0	
			External Clock	0.03		2.0	
		V <sub>DD</sub> =3.6~5.5V	X'tal Resonator	0.03		4.0	
			Ceramic Resonator	0.03		4.0	
			External Resistor Oscillation	0.03		2.0	
			External Clock	0.03		4.0	
Instruction Cycle Time	t <sub>C</sub>			6/f <sub>OSC</sub>		s	
External Clock Pulse Width	t <sub>CPH</sub> t <sub>CPL</sub>	V <sub>DD</sub> =2.7~3.6V	250		16600	ns	
		V <sub>DD</sub> =3.6~5.5V	125		16600		
External Clock Rise Time Fall Time	t <sub>CPR</sub> t <sub>CPF</sub>	V <sub>DD</sub> =2.7~5.5V			20	ns	
RESET Low-Level Width	t <sub>RST</sub>	V <sub>DD</sub> =2.7~5.5V	4/f <sub>OSC</sub>			s	
RESET Rise Time	t <sub>RSR</sub>	V <sub>DD</sub> =2.7~5.5V			20	ms	
Port Input Level Width	t <sub>PIN</sub>	V <sub>DD</sub> =2.7~5.5V	6/f <sub>OSC</sub>			s	
Edge Detection (PD1) Rise Time Fall Time	t <sub>EDR</sub> t <sub>EDF</sub>	V <sub>DD</sub> =2.7~5.5V			200	ns	
Restart Signal (PD0) Rise Time	t <sub>STR</sub>	V <sub>DD</sub> =2.7~5.5V			200	ns	
External interrupt input (EXTI) Rise Time	t <sub>EXR</sub>	V <sub>DD</sub> =2.7~5.5V			200	ns	

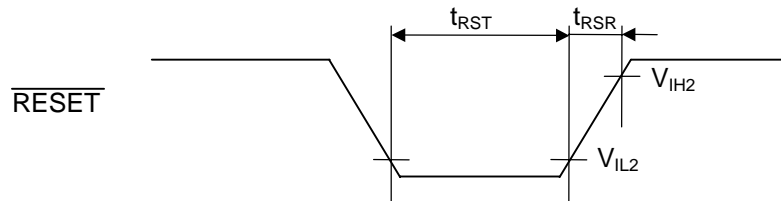
# NJU3552

## AC CHARACTERISTICS 1 TIMING CHART

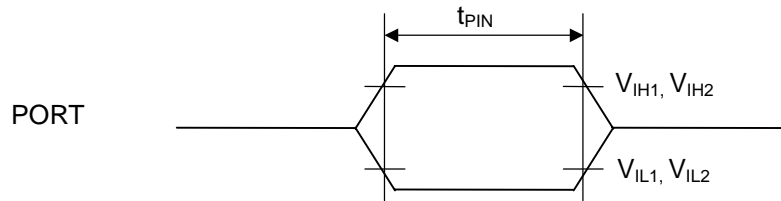
EXTERNAL CLOCK



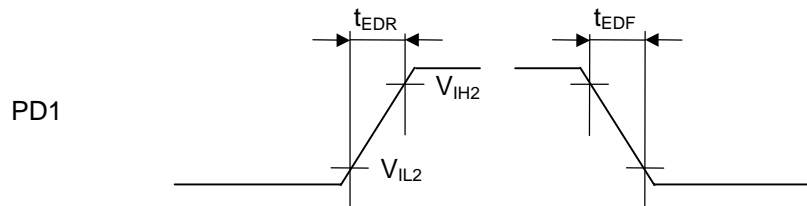
RESET INPUT



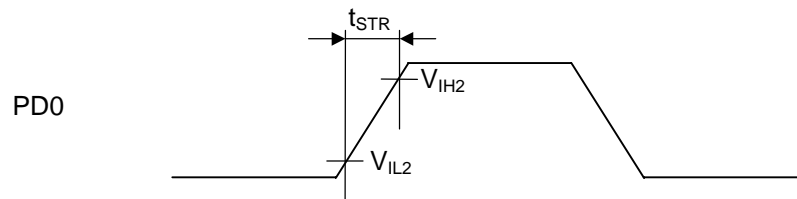
PORT INPUT



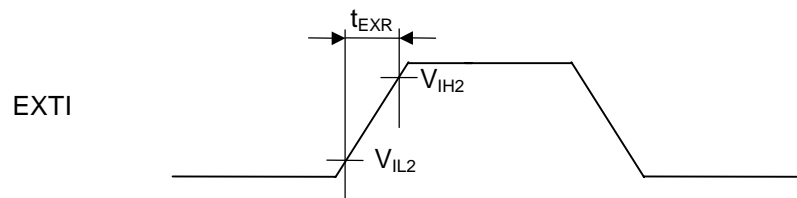
EDGE DETECTOR INPUT



RESTART SIGNAL INPUT



EXTERNAL INTERRUPT





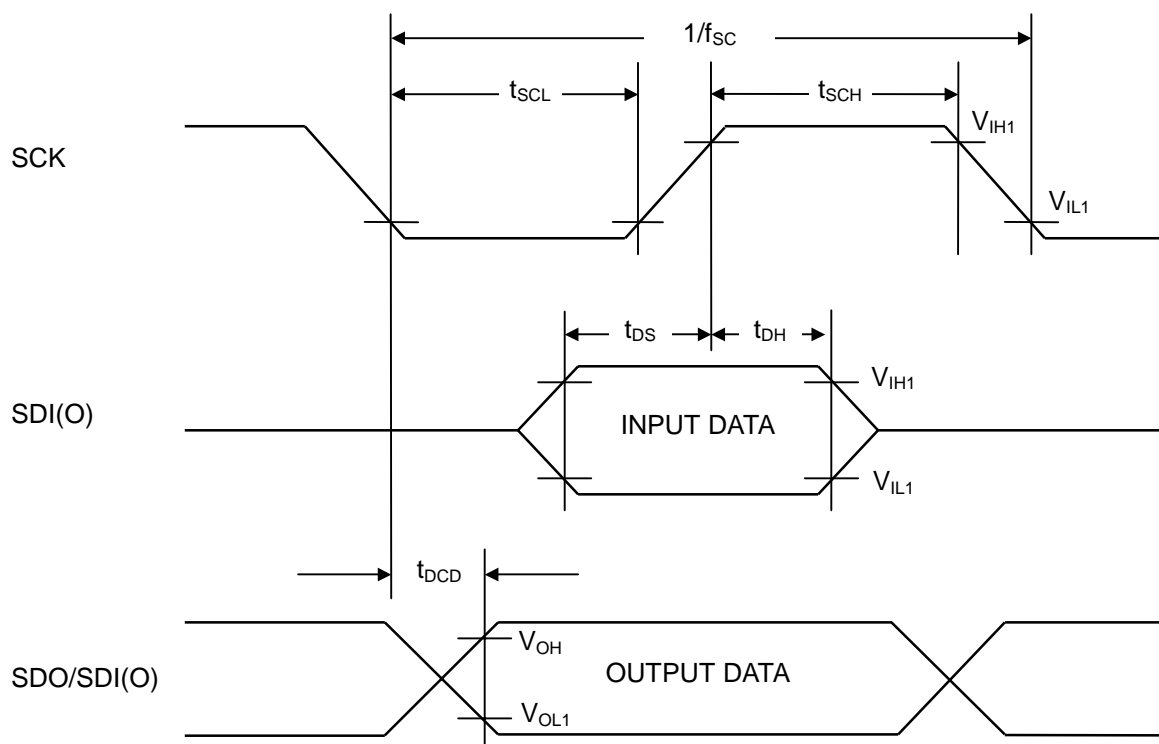
## ■ ELECTRICAL CHARACTERISTICS AC CHARACTERISTICS 2 SERIAL INTERFACE

( $V_{SS}=0V$ ,  $V_{DD}=2.7\sim 5.5V$ ,  $T_a = -20\sim 75^\circ C$ )

PARAMETER	SYMBOL	CONDITIONS		MIN	TYP	MAX	UNIT
Serial Operating Frequency	$f_{sc}$	Internal Clock				$(1/12) \times f_{osc}^*$	Hz
		External Clock				500k	
Clock Pulse Width Low-Level	$t_{scl}$	Internal Clock	$V_{DD}=2.7\sim 3.6V$ $f_{osc}=2MHz$	3.0			$\mu s$
			$V_{DD}=3.6\sim 5.5V$ $f_{osc}=4MHz$	1.5			
		External Clock		1.0			
Clock Pulse Width High-Level	$t_{sch}$	Internal Clock	$V_{DD}=2.7\sim 3.6V$ $f_{osc}=2MHz$	3.0			$\mu s$
			$V_{DD}=3.6\sim 5.5V$ $f_{osc}=4MHz$	1.5			
		External Clock		1.0			
SDI setup Time To SCK	$t_{ds}$			0.5			$\mu s$
SDI Hold time To SCK	$t_{dh}$			0.5			$\mu s$
SDO Data Fix Time To SCK	$t_{dcd}$					0.5	$\mu s$

\* The dividing ratio of the internal clock is 1/2.

## ■ AC CHARACTERISTICS 2 SERIAL INTERFACE TIMING CHART



# NJU3552

## ■ OPTION as same as mask version (NJU3502)

### 1) INPUT OUTPUT Terminal Selection

All of input-output terminals select a terminal type for each port from the following table1 and table2 by the mask option.

[ CIRCUIT TYPE TABLE 1 ]

SYMBOL	TERMINAL TYPES			EXTRA FUNCTION	REMARKS
	Input / Output Terminal*1				
	Port of Input	Port of Output	Programmable Input / Output		
PA0	ICP IC	OC			
PA1	ICP IC	OC			
PA2	ICP IC	OC			
PA3	ICP IC	OC			
PB0			IOP IO		
PB1			IOP IO		
PB2			IOP IO		
PB3			IOP IO		
PC0	ICP IC	OC			
PC1	ICP IC	OC			
PC2	ICP IC	OC			
PC3	ICP IC	OC			

Note) The symbol in the above table is the same as in mask option generator software.

\*1) The symbol and the detail circuits of INPUT OUTPUT TERMINAL are written in INPUT OUTPUT TERMINAL TYPE.

[ CIRCUIT TYPE TABLE 2 ]

SYMBOL	TERMINAL TYPES				EXTRA FUNCTION	REMARKS
	Input / Output Terminal*1					
	Port of Input	Port of Output	Programmable Input / Output			
PD0	ISP IS	OC		Restart signal input		
PD1	ISP IS	OC		Edge detection	R : Rise edge detection F : Fall edge detection	
EXTI / PE0 *2	ISP IS			IIP II : External interrupt input (EXTI)		
SDO / PF0		OC		SO : Serial data output	MSB : MSB first	
SDI(O) / PF1 *2	ICP IC	OC		SDP SD : Serial data input/output	LSB : LSB first	
SCK / CKOUT *2 *3				SCP SC : Serial clock input/output		
				- : Output clock divide by pre-scaler		

Note) The symbol in the above table is the same as in mask option generator software.

\*1) The symbol and the detail circuits of INPUT OUTPUT TERMINAL are written in INPUT OUTPUT TERMINAL TYPE.

\*2) The pull-up resistance is added to the terminal selected as the extra function.

\*3) When Serial INPUT-OUTPUT is selected, "SCK" is selected automatically. When it is not selected, "CKOUT" is selected automatically.

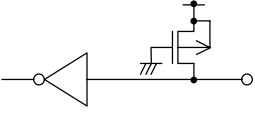
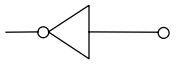
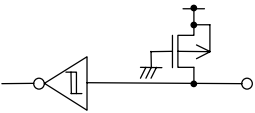
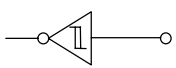
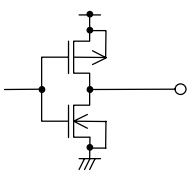
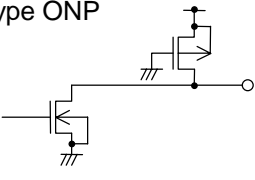
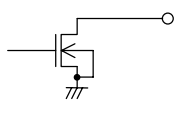
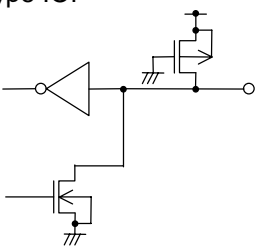
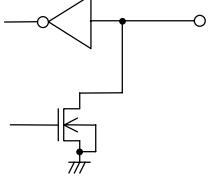
# NJU3552

## [MASK OPTION LIST]

SYM BOL	FUNCTION
ICP	C-MOS input with pull-up resistance
ISP	C-MOS Schmitt trigger input with pull-up resistance
IC	C-MOS input
IS	C-MOS Schmitt trigger input
OC	C-MOS output
IIP	External interrupt input with pull-up resistance
II	External interrupt input
SDP	Serial data input/output with pull-up resistance
SD	Serial data input/output
SO	Serial data output
SCP	Serial clock input/output with pull-up resistance
SC	Serial clock input/output
IOP	Programmable input/output with pull-up resistance
IO	Programmable input/output
R	Rise edge detection
F	Fall edge detection

SYM BOL	FUNCTION
MSB	Serial data order MSB first
LSB	Serial data order LSB first
1	1/2
2	1/4
3	1/8
4	1/16
5	1/32
6	1/64
7	1/128
8	1/256
9	1/512
a	1/1024
b	1/2048
c	1/4096

## [ INPUT OUTPUT TERMINAL TYPE ]

	Types	With Pull-up	Without Pull-up	Terminals	
INPUT TERMINAL	C-MOS	Type ICP 	Type IC 	PA0~PA3, PC0~PC3, SDI(O)/PF1	
	SCHMITT TRIGGER	Type ISP 	Type IS 	PD0, PD1, EXTI/PE0	
OUTPUT TERMINAL	C-MOS	/		Type ON 	PA0~PA3, PC0~PC3, PD0, PD1, SDO/PF0, SDI(O)/PF1
	N-channel(Nch) OPEN DRAIN	Type ONP 	Type ON 		
PROGRAMMABLE INPUT OUTPUT TERMINAL	C-MOS INPUT / Nch OPEN DRAIN OUTPUT	Type IOP 	Type IO 	PB0~PB3	

# NJU3552

---

## 2) Edge Detector Selection

PD1 terminal is added the "Edge detect function" by the mask option.



## 3) The data order (MSB, LSB) of the Serial Interface

The data order of the Serial Interface is selected either MSB or LSB first by the mask option.

## 4) Dividing ration of the internal clock

Each dividing ration of the count clocks of Timer, the Internal shift clock of the Serial Interface and the output clock through the SCK/CKOUT terminal is selected among the following by the mask option.

The frequency of each clock is determined by the dividing ration and the 1-instruction term ( $1/f_{OSC} \times 6$ ).

1/2, 1/4, 1/8, 1/16, 1/32, 1/64, 1/128, 1/256, 1/512, 1/1024, 1/2048, 1/4096

Note) As the shift clock of the serial interface, the external clock or the internal is selected by the program.

**[CAUTION]**

The specifications on this databook are only given for information, without any guarantee as regards either mistakes or omissions. The application circuits in this databook are described only to show representative usages of the product and not intended for the guarantee or permission of any right including the industrial rights.