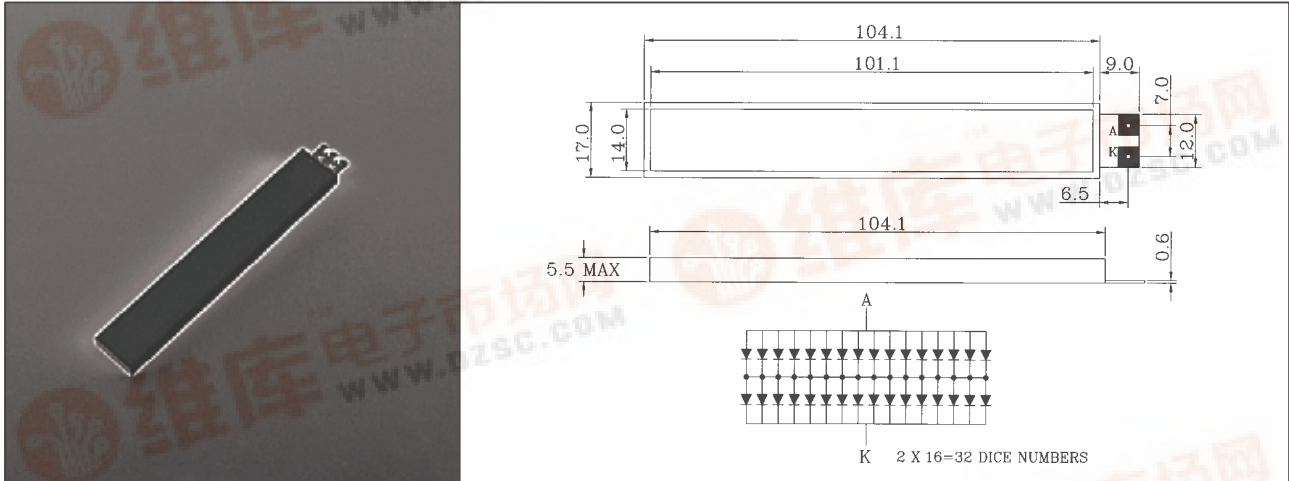


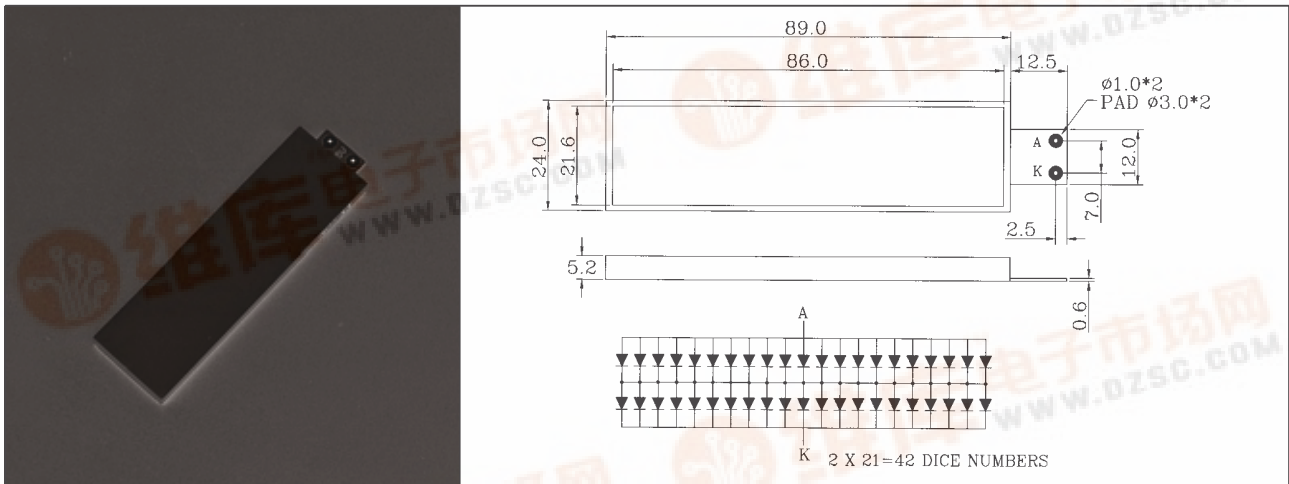


K- 03203GX LCD BACK LIGHT, COB TYPE, LCD CHARACTER 16×1(L)



Part No.	Luminous Area (mm)	Chip		Wave Length λ p(nm)	Electro-Optical Characteristics		
		Raw Material	Emitted Color		Input Current	Iv(cd/m²) Typ.	Vf(V) Typ.
K-03203GX	14.0×101.0 mm	GaP	Yellow Green	570	IF=160 mA	120	4.2

K- 04204GX LCD BACK LIGHT, COB TYPE, LCD CHARACTER 20×2



Part No.	Luminous Area (mm)	Chip		Wave Length λ p(nm)	Electro-Optical Characteristics		
		Raw Material	Emitted Color		Input Current	Iv(cd/m²) Typ.	Vf(V) Typ.
K-04204GX	21.6×86.0 mm	GaP	Yellow Green	570	IF=210 mA	130	4.2



1. All dimension are in millimeters.
 2. Tolerance is ± 0.20 mm unless otherwise specified.