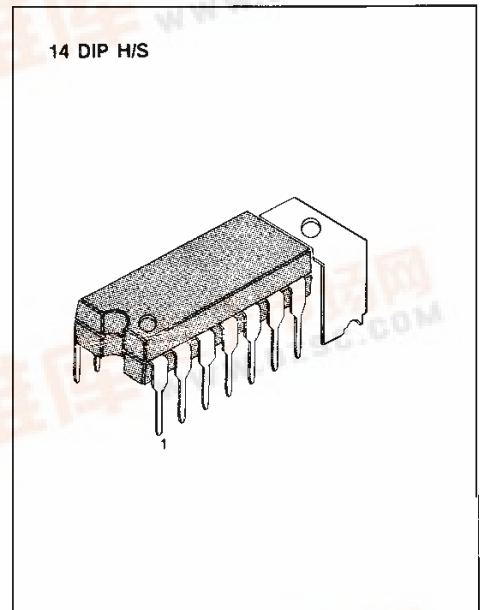


TV SOUND SYSTEM

The KA2102A is a silicon monolithic integrated circuit designed for the SIF and audio section in television receivers. This IC has all functions including sound IF amplifier, FM detector, DC volume control circuit, audio output amplifier with 2.4 Watts output power and voltage regulator. This IC is encapsulated in a 14-pin dual in-line package with heat tab.

FEATURES

- Wide power supply range, 9V ~ 18V
 2.4 Watt, at $V_{CC} = 18V$, $R_L = 8\Omega$ (For 17" TV)
 1.2 Watt, at $V_{CC} = 12V$, $R_L = 8\Omega$ (For 12" TV)
- Linear volume control
- Low harmonic distortion
- Differential peak detector
- Enough attenuation (Typ, 80dB) by squelch circuit



ORDERING INFORMATION

Device	Package	Operating Temperature
KA2102A	14 DIP H/S	-20 ~ +75°C

TYPICAL APPLICATION CIRCUIT

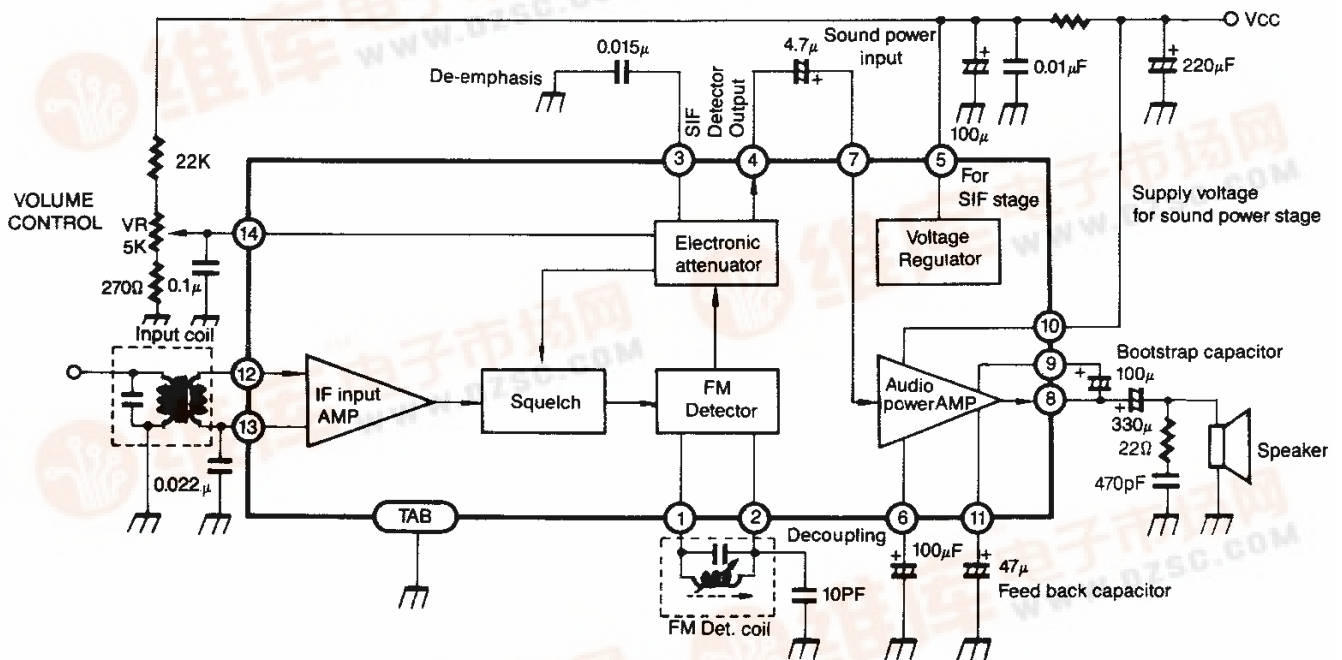


Fig. 1

ABSOLUTE MAXIMUM RATINGS ($T_a=25^\circ\text{C}$)

Characteristic	Symbol	Value	Unit
Supply Voltage (Pin 10)	V_{10}	20	V
Supply Current (Pin 10)	I_{10}	1	A
Supply Current (Pin 5)	I_5	100	mA
Input Signal Voltage	V_I	3	V_{p-p}
Power Dissipation	P_{D1}	0.8 ($T_a=75^\circ\text{C}$) free air	W
Power Dissipation	P_{D2}	1.4*	W
Operating Temperature	T_{OPR}	-20 ~ +75	$^\circ\text{C}$
Storage Temperature	T_{STG}	-40 ~ +150	$^\circ\text{C}$

* Printed Circuit Copper Area $50 \times 50 \text{mm}^2$ **ELECTRICAL CHARACTERISTICS ($T_a=25^\circ\text{C}$)**1. IF STAGE ($V_{CC}=12\text{V}$, $R_B=100\Omega$, $V_{14} \geq 1.3\text{V}$, $f_o=4.5\text{MHz}$, $f_m=400\text{Hz}$, $f = \pm 25\text{KHz}$, $R_g=50\mu\Omega$)

Characteristic	Symbol	Test Conditions	Min	Typ	Max	Unit
Pin 5 Voltage	V_{5A}		7.5	8.0	8.5	V
Pin 5 Voltage	V_{5B}	$V_{CC}=18\text{V}$, $R_B=330\Omega$	7.5	8.0	8.5	V
Pin 10 Current	I_{10A}	No Input Signal	14	19	24	mA
Pin 10 Current	I_{10B}	$V_{CC}=18\text{V}$, $R_B=330\Omega$ No Input Signal	16	28	35	mA
IF Limiting Voltage	V_{LIM}	V_{OAF} ($V_i=10\text{mVrms}$). -3dB	—	200	400	μVrms
Detector Output Voltage	V_{OAF}	$V_i=10\text{mVrms}$	300	360	—	mVrms
Detector Distortion	THD_1	$V_i=10\text{mVrms}$	—	0.7	—	%
AM Rejection	AMR	AM Mod 30% $f_m=400\text{Hz}$ $V_i=10\text{mVrms}$	-40	-50	—	dB
Maximum Attenuation	V_{ATT}	$V_{14}=0\text{V}$	-60	-80	—	dB

2. SOUND POWER STAGE ($V_{CC}=12\text{V}$, $R_B=100\Omega$, $R_L=8\Omega$, $f=400\text{Hz}$, $R_G=600\Omega$)

Characteristic	Symbol	Test Conditions	Min	Typ	Max	Unit
Sound Stage Voltage Gain	G_{VAF}	$V_i=30\text{mVrms}$	33	37	41	dB
Sound Output Power	P_{OA}	$\text{THD}=10\%$	0.9	1.2	—	W
Sound Output Power	P_{OB}	$V_{CC}=18\text{V}$, $R_B=330\Omega$ $\text{THD}=10\%$	2.0	2.4	—	W
Sound Output Distortion	THD_{2A}	$P_o=0.5\text{W}$	—	0.6	2.0	%
Sound Output Distortion	THD_{2B}	$V_{CC}=18\text{V}$, $R_B=330\Omega$ $P_o=0.5\text{W}$	—	0.5	2.0	%
Overall Sound Output Distortion (IF + Sound Power Stage)	THD_3	$P_o=0.5\text{W}$ $V_i=10\text{mVrms}$	—	1.5	4.0	%

3. TYPICAL DATA

Characteristic	Symbol	Test Conditions	Value	Unit
Pin 10 Current	I_{10}	THD _{2A} = 10%	200-210	mA
Pin 10 Current	I_{10}	THD _{2B} = 10%	270-280	mA
Sound Output Power	P_{OA}	THD = 3%	1.1	W
Sound Output Power	P_{OB}	V _{CC} = 18V, R _B = 330Ω THD = 3%	2.0	W
Sound Stage Band Width	fs	-3dB	50 ~ 50K	Hz

TEST CIRCUIT

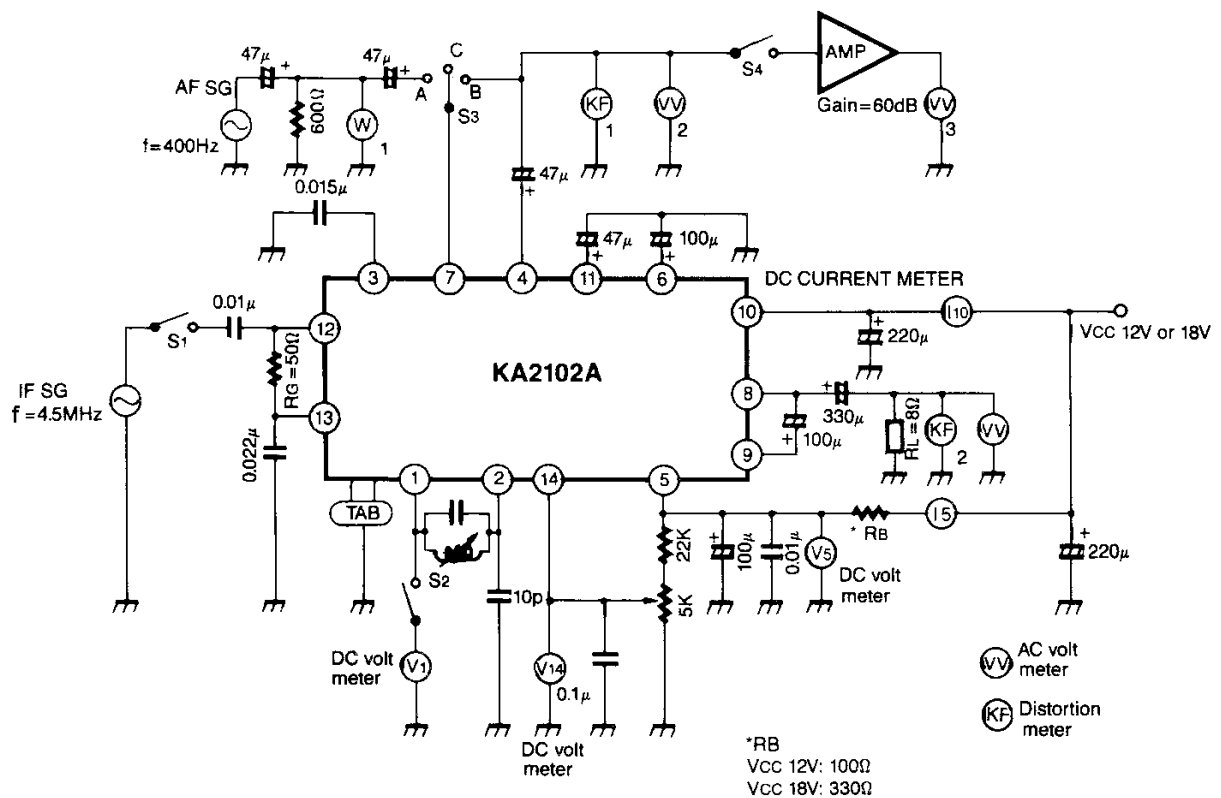
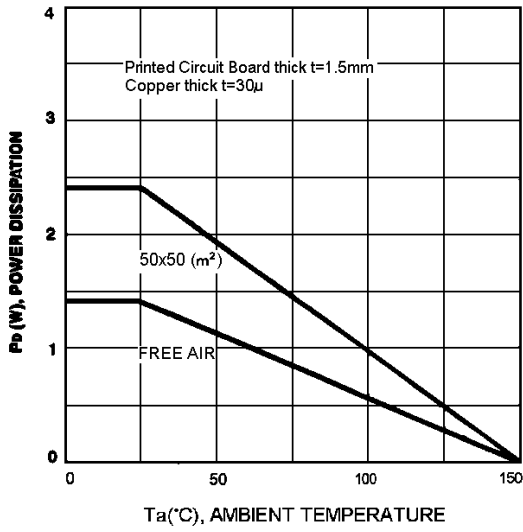
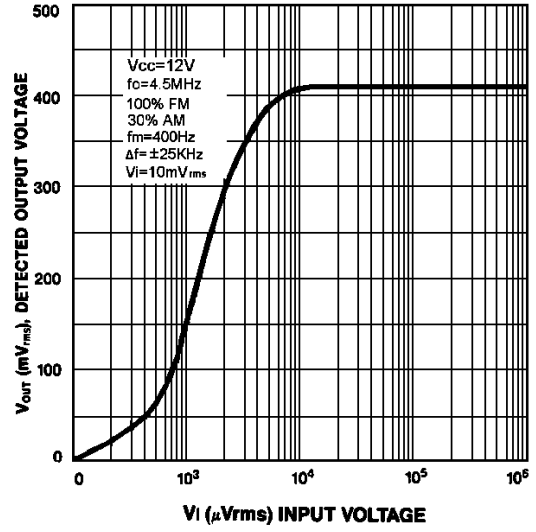


Fig. 2

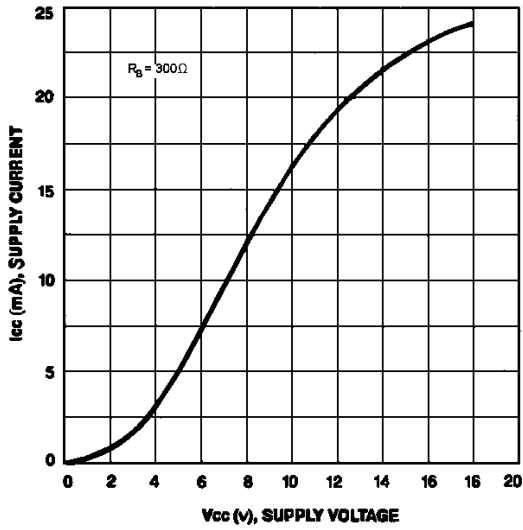
POWER DISSIPATION



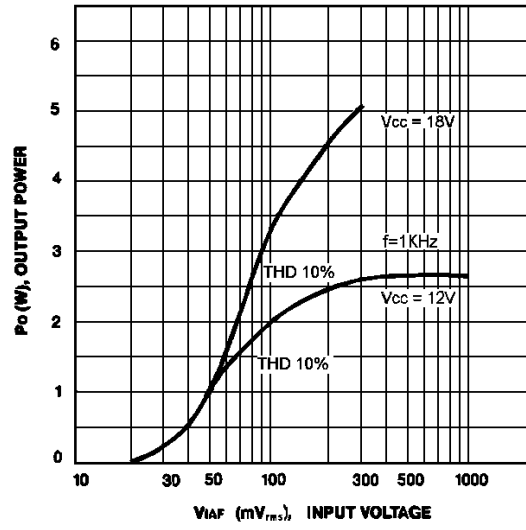
DETECTED OUTPUT VOLTAGE



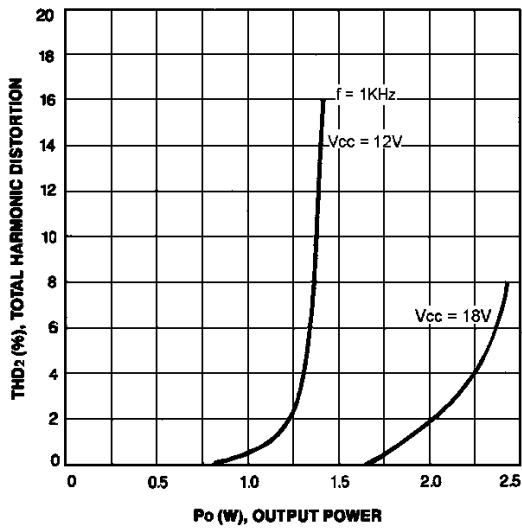
SUPPLY CURRENT



OUTPUT POWER (AUDIO AMPLIFIER)



TOTAL HARMONIC DISTORTION



FREQUENCY RESPONSE (AUDIO AMPLIFIER)

