

COMPANDER

KA8507B

INTRODUCTION

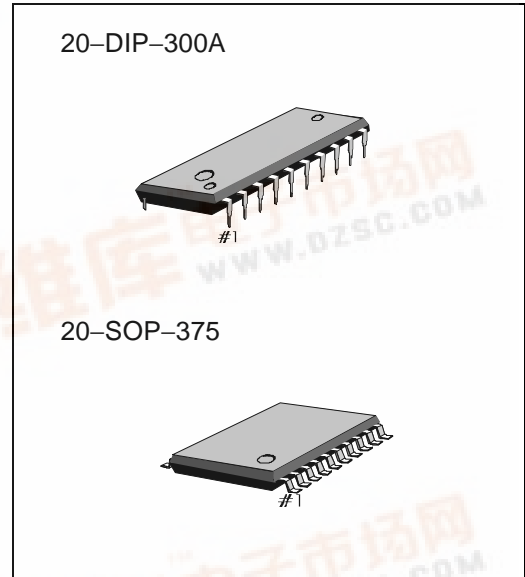
KA8507B is a automatic gain control system that is used for dynamic range compression and expansion. According to the companding the signal, this can reduce the noise components. KA8507B includes compressor, expander, pre-amp, filter amp, limiter and mute/bypath logic.

FEATURES

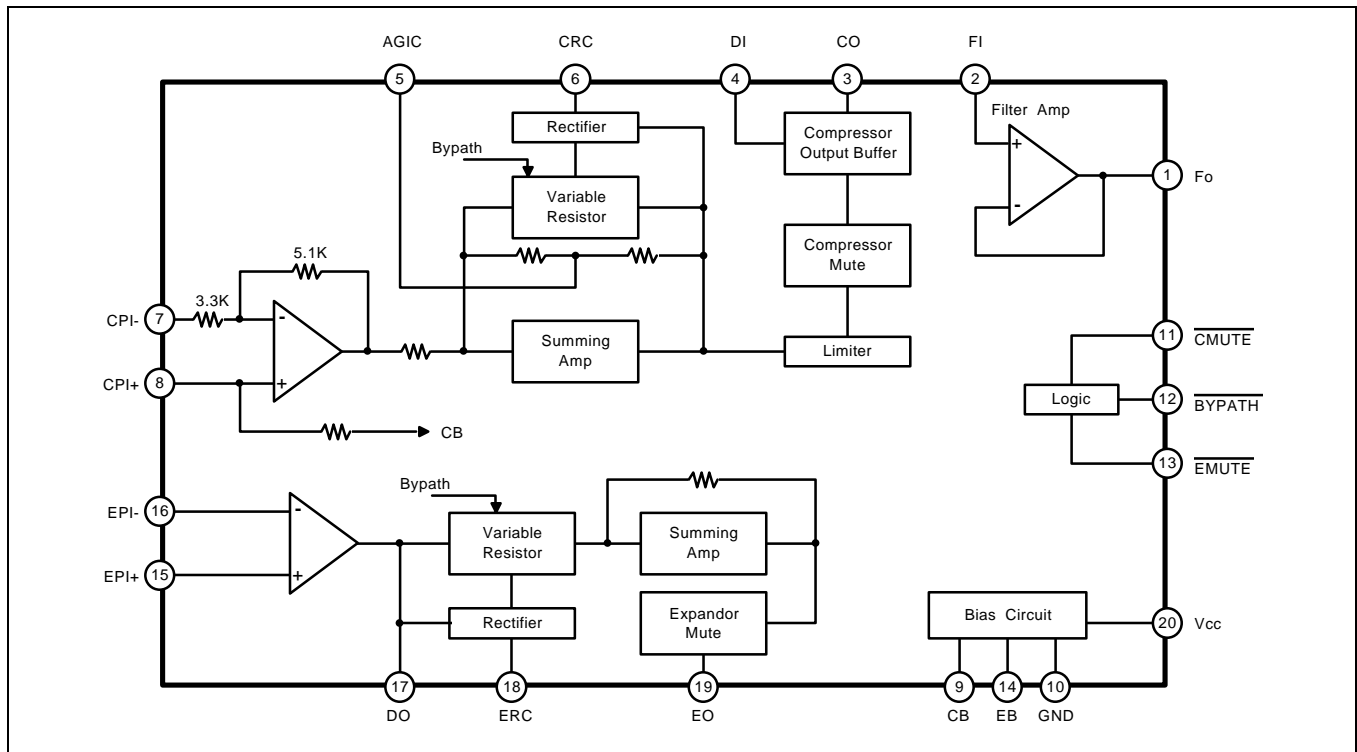
- Wide Supply Voltage (2.4 to 7V)
- Easy Gain Control
- Mute/Bypath Logic
- Data In/Out Pin

ORDERING INFORMATION

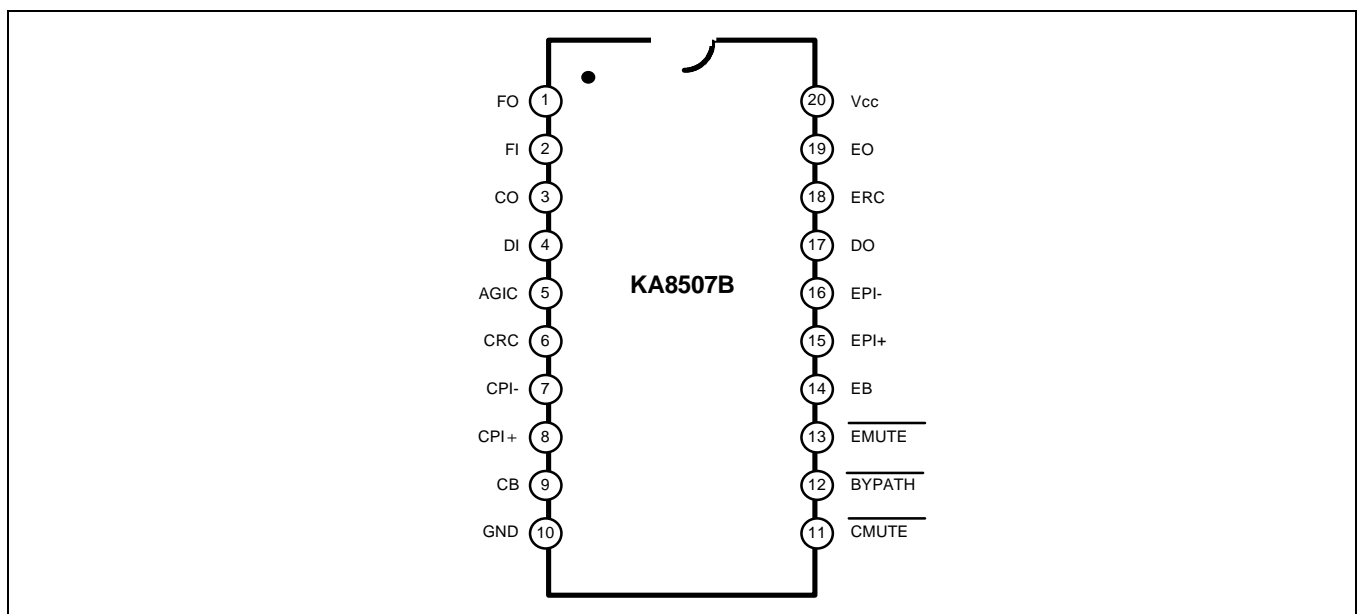
Device	Package	Operating Temperature
KA8507B	20-DIP-300A	-20°C to +70°C
KA8507BD	20-SOP-375	



BLOCK DIAGRAM



PIN CONFIGURATION



PIN DESCRIPTION

Pin No	Symbol	Description	Pin No	Symbol	Description
1	FO	Filter Amp Output	11	CMUTE	Compressor Mute
2	FI	Filter Amp Input	12	BYPATH	No companding
3	CO	Compressor Output	13	EMUTE	Expander Mute
4	DI	Data Input	14	EB	Expander Reference Bias
5	AGIC	AC Gain Infinity Capacitor	15	EPI +	Expander Non-Inverting Input
6	CRC	Compressor Rectifier Capacitor	16	EPI –	Expander Inverting Input
7	CPI –	Compressor Inverting Input	17	DO	Data Output
8	CPI	Compressor Non-Inverting Input	18	ERC	Expander Rectifier Capacitor
9	CB	Compressor Reference Bias	19	EO	Expander Output
10	GND	Ground	20	V _{CC}	Supply Voltage

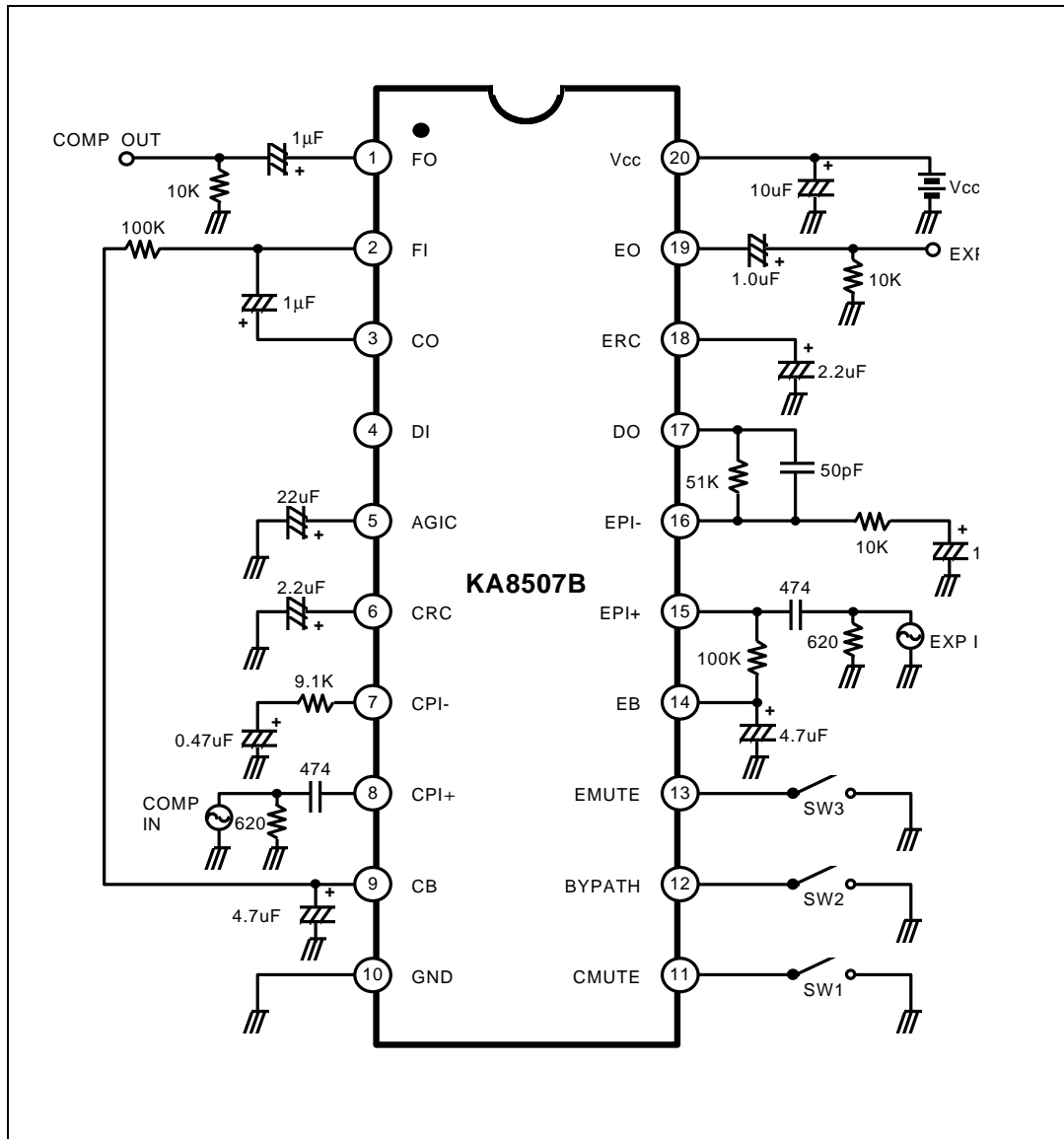
ABSOLUTE MAXIMUM RATINGS

Characteristic		Symbol	Value	Unit
Supply Voltage		V _{CC}	10	V
Power Dissipation	KA8507B	P _D	1000	mW
	KA8507BD		410	
Operating Temperature		T _{OPR}	– 20 to + 70	°C
Storage Temperature		T _{STG}	– 55 to + 150	°C

ELECTRICAL CHARACTERISTICS(V_{CC} = 3V, f = 1kHz, Ta = 25°C, unless otherwise noted)

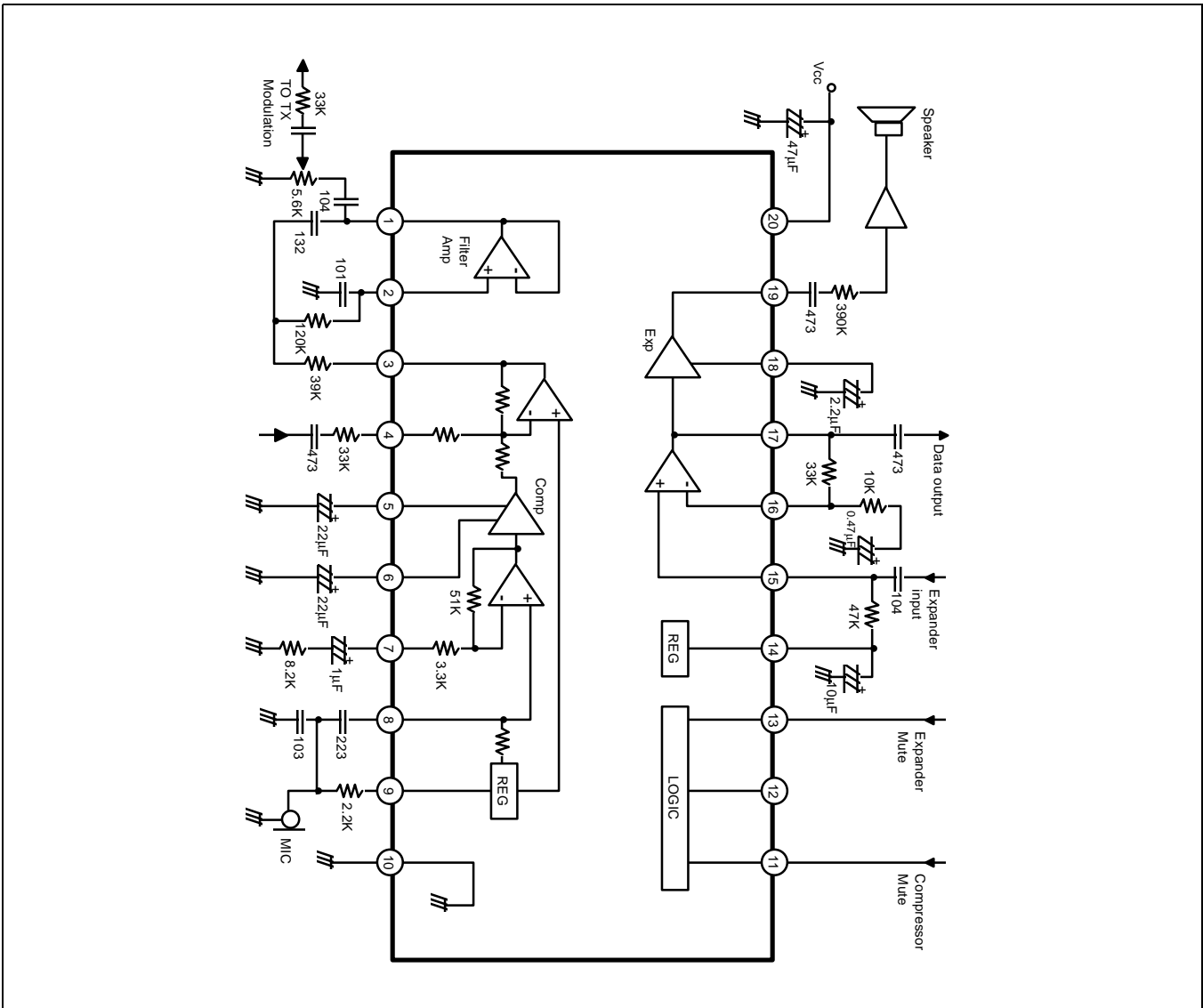
Characteristic	Symbol	Test Condition	Min.	Typ.	Max.	Unit
DC ELECTRICAL CHARACTERISTICS						
Operating Voltage	V _{CC}	–	–	2.4	7.0	V
Operating Current	I _{CC}	No Signal	–	4.0	6.5	mA
COMPRESSOR PART						
Standard Input Voltage (0dB)	V _{I (COMP)}	V _{CC} = 300mVrms = 0dB	8.0	12.5	17.0	mVrms
Gain Defference	ΔG _{V1 (COMP)}	Vin = –20dB	–0.5	0	+0.5	dB
	ΔG _{V2 (COMP)}	Vin = –40dB	–1.0	0	+1.0	
Bypass Gain Difference	ΔG _{VB (COMP)}	Vin = 0dB, BYPATH = GND	–1.5	0	+1.5	dB
Output Distortion	THD _{COMP}	Vin = 0dB	–	0.5	1.0	%
Noise Output Voltage	V _{NO (COMP)}	Rg = 620ohm	–	3.0	5.5	mVrms
Mute Attenuation Ratio	ATT _{MUTE}	Vin = 0dB, CMUTE = GND	60	80	–	dB
Limiting Voltage	V _{LIM (COMP)}	–	1.15	1.35	1.50	Vp-p
EXPANDER PART						
Standard Output Level (0dB)	V _{O (EXP)}	Vin = 30mVrms = 0dB	110	130	160	mVrms
Gain Difference	ΔG _{V1 (EXP)}	Vin = –10dB	–0.5	0	+0.5	dB
	ΔG _{V2 (EXP)}	Vin = –20dB	–1.0	0	+1.0	
	ΔG _{V3 (EXP)}	Vin = –30dB	–1.5	0	+2.0	
Bypass Gain Difference	ΔG _{VB (EXP)}	Vin = 0dB, BYPATH = GND	–2.5	0	+0.5	dB
Output Distortion	THD _{EXP}	Vin = 0dB	–	0.5	1.5	%
Noise Output Voltage	V _{NO (EXP)}	Rg = 620ohm	–	10.0	30.0	μVrms
Mute Attenuation Ratio	ATT _{MUTE}	Vin = 0dB, EMUTE = GND	60	80	–	dB
Max. Output Voltage	V _{OEXP (MAX)}	THD = 10%	700	800	–	mVrms

TEST CIRCUIT



APPLICATION CIRCUIT

(HAND SET)



This datasheet has been download from:

www.datasheetcatalog.com

Datasheets for electronics components.