

FM IF RECEIVER WITH RSSI

KA8514

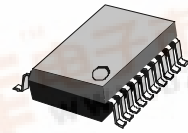
INTRODUCTION

The KA8514 is designed for FM IF detection on the pager set. It includes a voltage regulator, low battery detection circuitry, mixer, oscillator, FSK comparator and limiting IF Amplifier. Also KA8514 provides the RSSI function for RF level monitoring.

FEATURES

- Built-in RSSI function
- Operating voltage range: $V_{CC} = 1.1 \sim 4.0V$
- Low current consumption: $I_{CC} = 1.2mA$
- Low battery detection circuit (alarm function): 1.05V
- Voltage regulator: $V_{reg} = 1.0V$ (Typ.)
- Mixer operating frequency: 10 ~ 50MHz
- High transmitting rate: 1200bps / 2400bps
- FSK Data reception
- Package type: 20-SSOP (0.65mm)

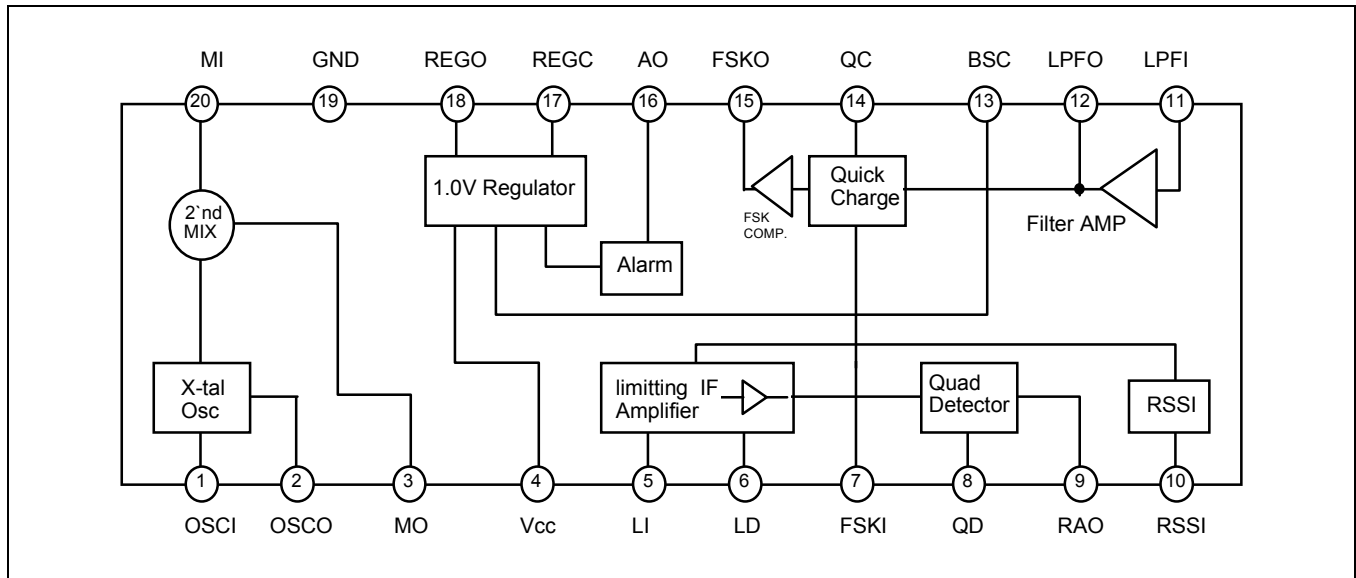
20-SSOP-225



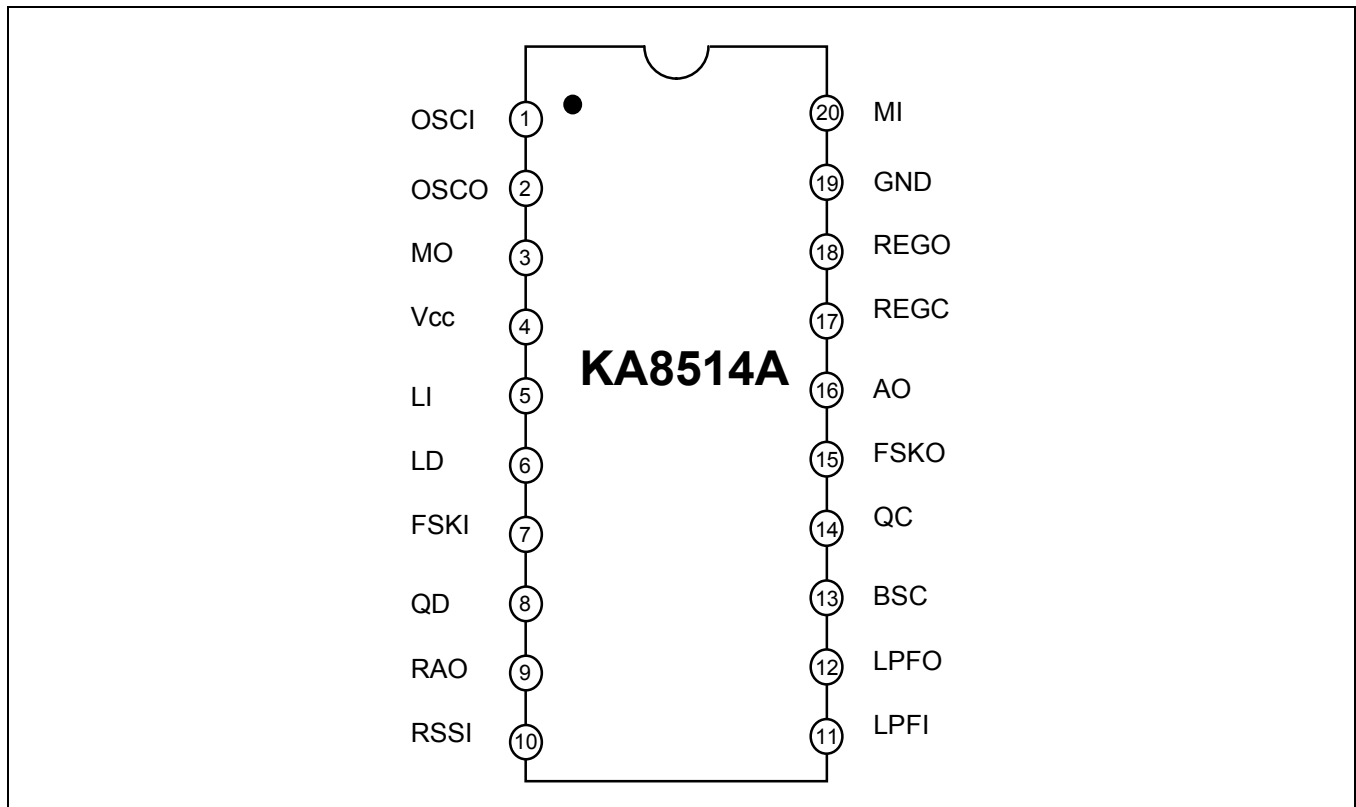
ORDERING INFORMATION

Device	Package	Operating Temperature
KA8514	20-SSOP-225	-20°C ~ +70°C

BLOCK DIAGRAM



PIN CONFIGURATION



PIN DESCRIPTION

Pin No	Symbol	Description
1	OSCI	Oscillator input (Base). The oscillator is an internally-biased colpitts type.
2	OSCO	Oscillator output.
3	MO	Mixer output, Output impedance $\approx 2k\Omega$ Connect a 455kHz filter between this pin and the LI.
4	V _{CC}	V _{CC} pin.
5	LI	IF limiter amplifier input. Input impedance $\approx 2k\Omega$.
6	LD	Bypass capacitor connect pin for the IF limiter amplifier.
7	FSK1	Differential Amp. Reference input on the FSK comparator.
8	QD	Quadrature detection, phase shifter pin.
9	RAO	Recovered audio signal output.
10	RSSI	Output pin for RSSI. This pin detects RF level by monitoring the limiter amplifier.
11	LPFI	Low pass filter amplifier input. Bias is supplied from pin 9.
12	LPFO	Low pass filter amplifier output.
13	BSC	Battery saving control pin. High: Battery saving off. Low: Battery saving on.
14	QC	Quick charge control pin. High: Quick charge-discharge on. Low: Quick charge-discharge off.
15	FSKO	FSK signal output pin.
16	AO	Alarm output. This pin becomes High when V _{CC} drops below 1.05V.
17	REGC	KA8514 has an internal PNP transistor. But, it also can support an external PNP transistor to control the power.
18	REGO	Regulated Voltage output.
19	GND	Ground.
20	MI	Mixer input impedance $\approx 5k\Omega$.

ABSOLUTE MAXIMUM RATINGS

Characteristic	Symbol	Value	Unit
Max. Supply Voltage	V _{CC (MAX)}	4	V
Power Dissipation	P _D	800	mW
Operating Temperature	T _{OPR}	-20 ~ +70	°C
Storage Temperature	T _{STG}	-55 ~ +125	°C

ELECTRICAL CHARACTERISTICS

($V_{CC} = 1.4V \pm 5\%$, $f_{IN(2MIX)} = 21.4MHz$, $f_{DEV} = \pm 4kHz$, $f_{MOD} = 600Hz$, $T_a = 25^\circ C$, unless otherwise specified)

Characteristic	Symbol	Test Conditions	Min.	Typ.	Max.	Unit
Operating current	I_{CCN}	No Input Signal	–	1.2	1.7	mA
	I_{CCS}	Battery Saving	–	0	10	μA
Alarm detection voltage	V_{AD}	–	1.0	1.05	1.1	V
Alarm low level output voltage	$V_{O(AL)}$	$I = 100\mu A$	–	–	0.4	V
Alarm high level leakage current	$I_{LKG(AL)}$	–	–	–	2	μA
FSK low level output voltage	$V_L(FSK)$	–	–	–	0.4	V
FSK high level leakage current	$I_{LKG(FSK)}$	$I = 100\mu A$	–	–	2	μA
Regulator output voltage	V_{OREG}	–	0.95	1.0	1.05	V
Quick charge current	I_C	–	56	70	–	μA
Input for –3dB sensitivity	V_{LIM}	Mixer Input	–	2.5	7.5	μV_{rms}
Input for –12dB SINAD sensitivity	$V_I(SEN)$	IF Input	–	6.0	18.0	μV_{rms}
Recovered audio output voltage	$V_{O(RAO)}$	$V_{IN(2MIX)} = 500\mu V_{rms}$	33	55	77	mVrms
Mixer conversion voltage gain	$\Delta G_V(M)$	Ceramic Filter loss = –1dB	8	12	16	dB
Signal to noise ratio	S/N	–	38	55	–	dB
Total Harmonic Distortion	THD	–	–	2.0	3.5	%
Mixer 3rd order intercept point	3RD	–	–	–10	–	dBm
Mixer input resistance	$R_I(MIX)$	–	3.5	5	6.5	k Ω
Limiting amp input resistance	$R_I(LA)$	–	1.4	2	2.6	k Ω
AM rejection ratio	AMR	$V_{IN(2MIX)} = 5\mu V_{rms}$ (AM = 30%)	25	40	–	dB
Data shaping output duty	DR	$V_{IN(2MIX)} = 500\mu V_{rms}$	40	50	60	%
RSSI output voltage	V_{RSSI}	$V_{IN(2MIX)} = 1m \mu V_{rms}$ (AM = 30%)	0.49	0.7	0.91	V
RSSI output resistance	R_{RSSI}	–	80	100	120	k Ω

APPLICATION CIRCUIT

