



# KFF6675A

1900 MHz PCS Duplexer

## Features

- 3.6 mm Board Height
- Low Loss
- Excellent Tx Isolation

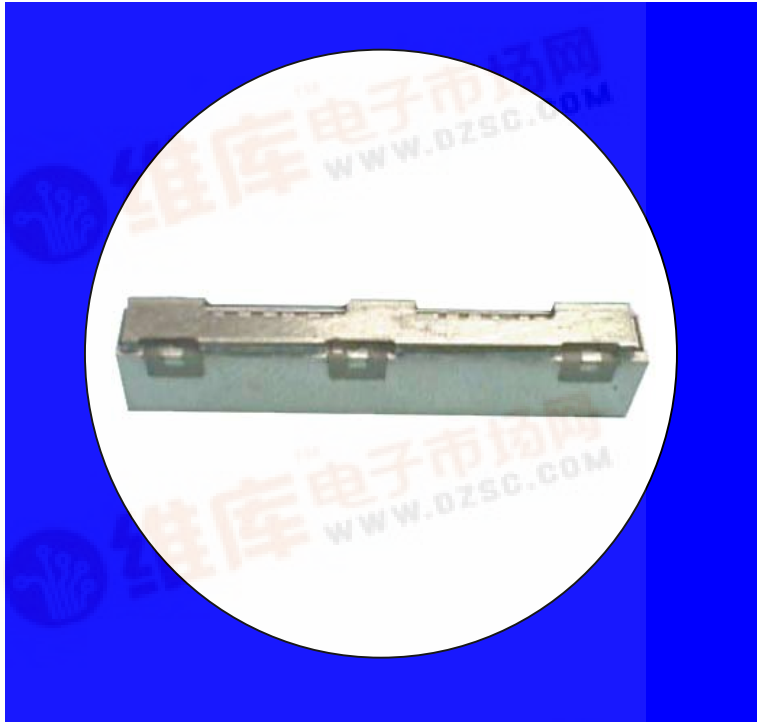
## Description

Surface mount, silver (Ag) coated ceramic duplexer. Developed for use in PCS infrastructure and subscriber applications.

Weight: 2.7 grams typical

Material: Filter is composed of a ceramic block plated with Ag and a shield made of nickel silver plated steel.

Filter complies with RoHS standards.



## Electrical Specifications

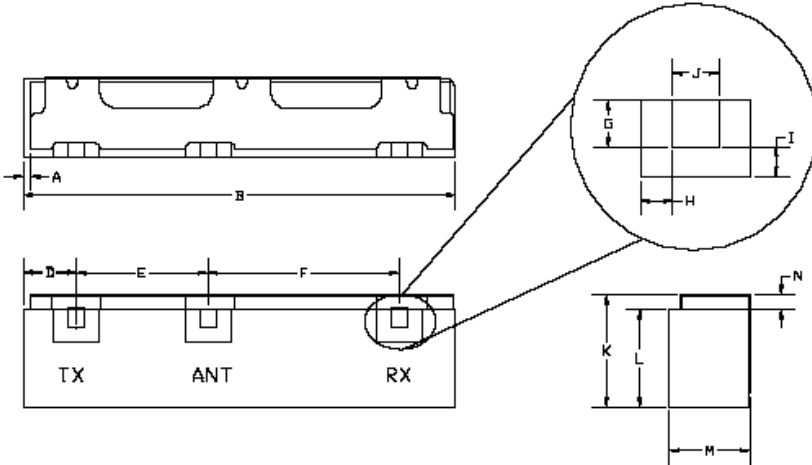
Parameter	Frequency (MHz)	Typical @ 25°C	Spec. over 0°C to +65°C
<b>Antenna to TX Response</b>			
Passband Insertion Loss	1850 - 1910	3.1 dB	3.6 dB max
Passband Return Loss	1850 - 1910	12.0 dB	10.0 dB min
Passband Ripple	1850 - 1910	1.8 dB	2.7 dB min
Rejection @ RX band	1930 - 1990	40.0 dB	35.0 dB max
	3700 - 3820	23.0 dB	15.0 dB min
	5550 - 5730	6.0 dB	3.0 dB min
<b>Antenna to RX Response</b>			
Passband Insertion Loss	1930 - 1990	3.2 dB	3.9 dB max
Passband Return Loss	1930 - 1990	12.0 dB	10.0 dB min
Passband Ripple	1930 - 1990	2.1 dB	2.7 dB max
Rejection @ TX band	1850 - 1910	52.0 dB	46.0 dB min
	2100 - 2200	30.0 dB	22.0 dB min
<b>TX to RX Response</b>			
Rejection @ TX band	1850 - 1910	56.0 dB	55.0 dB min
Rejection @ RX band	1930 - 1990	44.0 dB	40.0 dB min
Power into any port			

Note: Supplier shall test each filter to the critical electrical specifications of the above table. Any subsequent audits may deviate from in value due to measurement repeatability among different test systems. Such deviations shall not exceed the following limits:

Specification Allowance	
Insertion Loss	0.1 dB
Return Loss	1.0 dB
Stopbands	1.0 dB



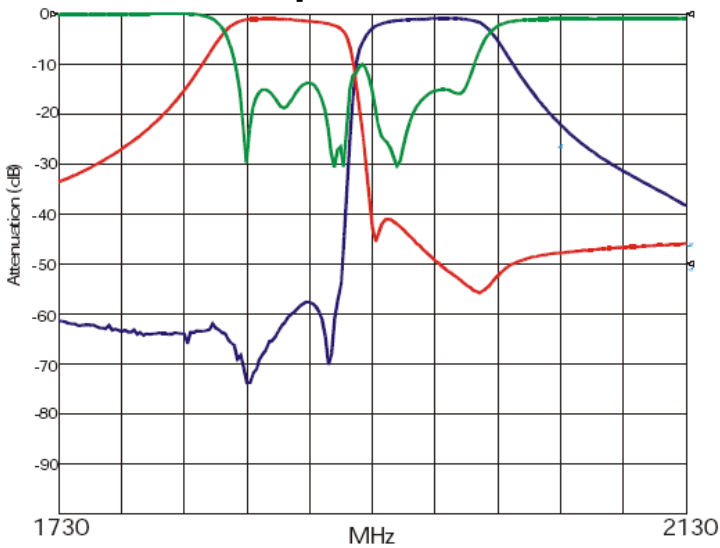
## Mechanical Drawing



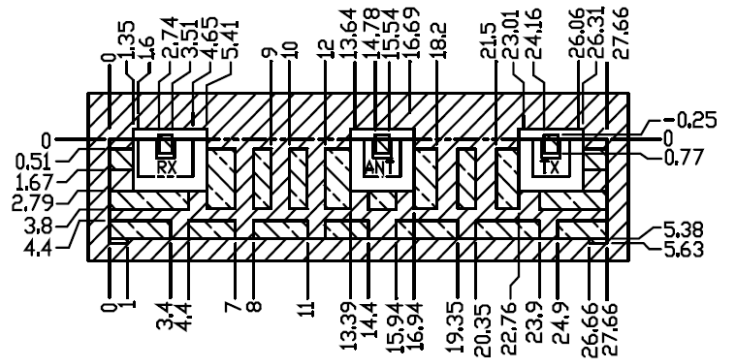
Dim	Nominal (mm)	Tolerance (mm) +/- or max
A	0.13	0.25
B	28	0.28
C		
D	3.18	0.25
E	9.37	0.13
F	12.04	0.13
G	1.02	0.13
H	1.02	0.13
I	1.02	0.13
J	1.02	0.13
K	6.35	0.19
L	5.6	0.19
M	3.55	0.13
*N	0.89	0.13

\*Indicates Reference Only

## Electrical response



## PCB Layout



DIMENSIONS ARE IN MM, TOLERANCES=±0.13

- FILTER OUTLINE
- SOLDER RESIST OVER DIELECTRIC
- SOLDER RESIST OVER CONDUCTOR
- EXPOSED CONDUCTOR

## Packaging and Marking

DIMENSION	UNITS	SPECIFICATION
REEL DIAMETER	mm	330
REEL WEIGHT	kg	2.2
REEL QUANTITY	ea.	500

