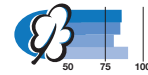


**Power entry modules**  
**Types KG, KG-Bowdencable**


- Panel mount: screw-on version, front or rear-side / snap in version, front-side
- 4 functions: appliance inlet, line switch or line switch for Bowdencable actuation, fuseholder with interchangeable fuse drawer for 5 x 20 or 6,3 x 32 mm fuses, with series-parallel voltage selector
- Version with line filter/shield see page 120



**Characteristics**

- All single elements are already partial wired
- The Extra-safe fuse drawers satisfy international standards for medical equipment. The drawer can only be removed with the aid of a tool
- The fuseholder is accessible from the equipment front
- Qualified for use in equipment according to IEC/EN 60950

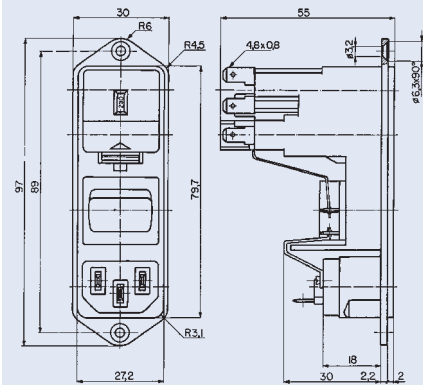
**Technical data**

|   |   |   |
|---|---|---|
| Rated voltage   |   | 250 VAC   |
| Rated currents:   | Type KG   | 10 A; VDE, SEV, Semko<br>10 A; UL, CSA  |
|   | Type KG-Bowdencable   | 6 A; SEV, VDE, Semko<br>6 A/250 VAC, 8 A/125 VAC; UL, CSA   |
| Dielectric strength<br>(50 Hz, 1 Min.)                              |   | > 3 kV between L-N/<br>> 4 kV between L/N-PE  |
| Allowable ambient air<br>temperatures T <sub>a</sub>                |   | -25 °C to +70 °C  |
| Degree of protection (front side)                                   |   | IP40 acc. to IEC 60529  |
| Protection class  |   | suitable for equipment with prot. cl. I, acc.<br>to IEC 61140   |
| Terminals   |   | quick-connect 4,8 x 0,8 mm/tin-plated   |
| Panel thickness s   |   | screw-on: max. 8 mm<br>snap-in: 1,5/2/2,5 mm  |
| Materials: Housing  |   | Thermoplastic, black, UL94 V-0  |
| Appliance-inlet   |  | acc. to IEC/EN 60320-1/C14, Protection<br>class I, pin-temperature 70 °C<br>(cold condition)            |
| Fuseholder  |   | 1- or 2-pole, shocksafe category PC2<br>acc. to IEC/EN 60127-6, for<br>fuse-links 5 x 20 or 6,3 x 32 mm |
| Rated power acceptance at<br>ambient air temp. T <sub>a</sub> 23 °C |   | 5 x 20: 2,5 W (1-pole)/2 W (2-pole) per p.<br>6,3 x 32 : 3,15 W (1-pole)/2,5 W (2-pole)<br>per pole     |
| Admissible power acceptance<br>at higher T <sub>a</sub>             |   | see derating curves. Take note of the<br>information on page 197  |
| Line switch<br>(Rocker switch)                                      |   | 2-pole, non-illuminated,<br>acc. to IEC/EN 61058-1.   |
| Line switch for Bowdencable   |   | 2-pole, non-illuminated<br>Technical details see page 201   |
| Voltage selector  |   | series-parallel, 4, 3 or 2 switch positions<br>or usable as a 2-pole change-over switch.                |

**Dimensions Typ KG**

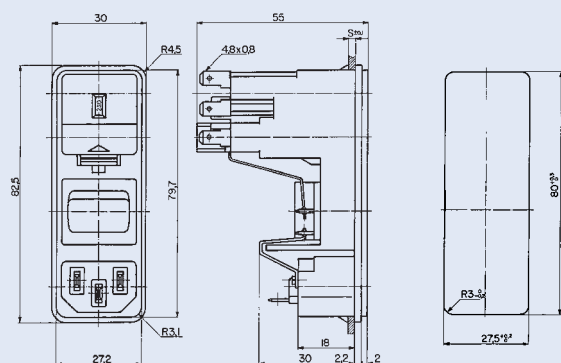
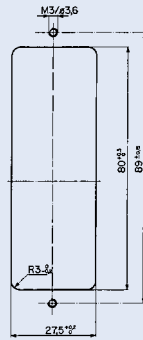
Screw-on mounting

Snap-in mounting



Mounting screw torque 0,5 Nm

Panel cut-out

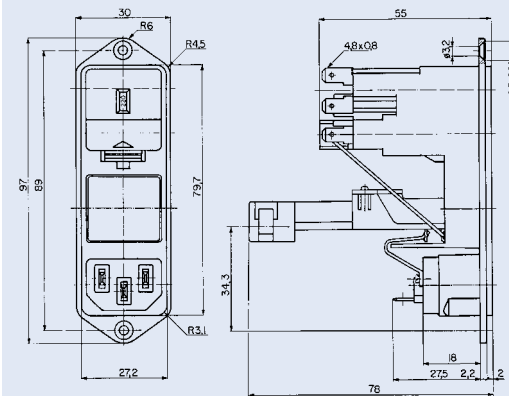


Panel cut-out

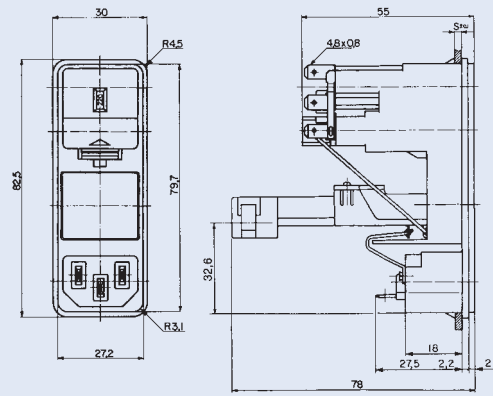
**Dimensions Typ KG Bowdencable**

Screw-on mounting

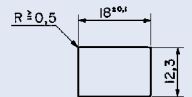
Snap-in mounting



Panel cut-outs see type KG  
Details and description for Bowden cable see page 59



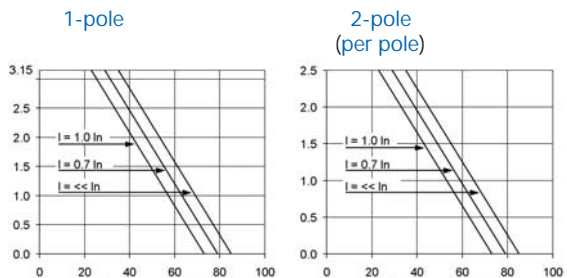
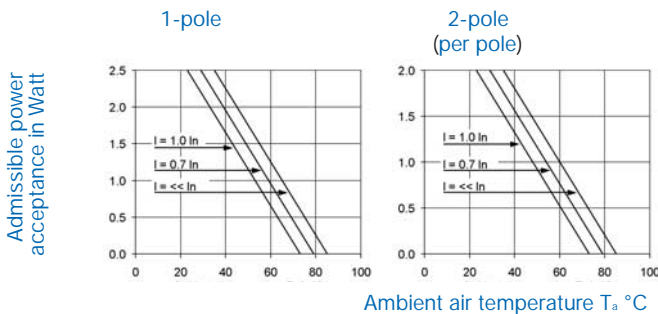
Panel cut-out for the actuating part B1



**Derating curves for fuseholder**

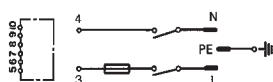
**Type KG**

**Type KG-Bowdencable**

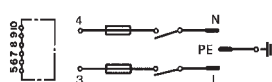


**Diagrams**

with partial internal connections



1-pole



2-pole

Optional accessory cables (stranded conductor) for voltage selector wiring see on page 63

**Order Numbers to type KG: for socket (partial wired)**

Fuse drawer and voltage selector insert must be ordered separately.  
Order nos see pages 62, 63

| Fuseholder    |               | Screw | Snap-in, panel-thickness s |        |        |
|---------------|---------------|-------|----------------------------|--------|--------|
| 1-pole        | 2-pole        |       | 1,5 mm                     | 2,0 mm | 2,5 mm |
| KG16.5101.151 | KG10.6101.151 | •     |                            |        |        |
| KG16.5101.105 | KG10.6101.105 |       | •                          |        |        |
| KG16.5101.107 | KG10.6101.107 |       |                            | •      |        |
| KG16.5101.109 | KG10.6101.109 |       |                            |        | •      |

**Order Numbers to type KG-Bowdencable: for socket (partial wired)**

Fuse drawer, voltage selector insert and Bowdencable must be ordered separately.  
Order nos see pages 63 (fuse drawer), 62 (voltage selector insert) and 59 (Bowdencable)

| Fuseholder    |               | Screw | Snap-in, panel-thickness s |        |        |
|---------------|---------------|-------|----------------------------|--------|--------|
| 1-pole        | 2-pole        |       | 1,5 mm                     | 2,0 mm | 2,5 mm |
| KG15.6199.151 | KG10.6199.151 | •     |                            |        |        |
| KG15.6199.105 | KG10.6199.105 |       | •                          |        |        |
| KG15.6199.107 | KG10.6199.107 |       |                            | •      |        |
| KG15.6199.109 | KG10.6199.109 |       |                            |        | •      |

**Other versions on request:**

- |   |                           |
|---|---------------------------|
| Type KG                                 | Type KG-Bowdencable       |
| • for protection class II               | • for protection class II |
| • line switch, illuminated              |                           |
| • line switch with other rocker marking |                           |
| • Line switch 1-pole                    |                           |

Accessories see page 171