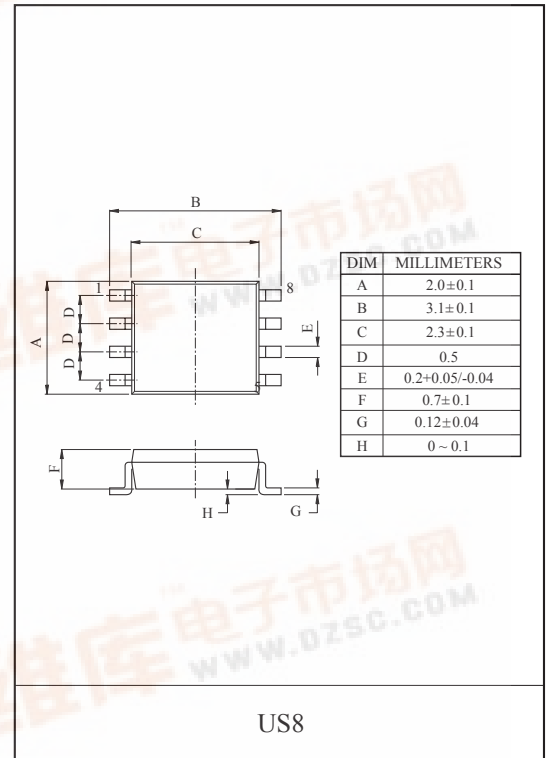
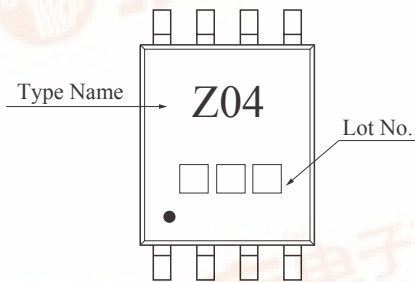


Triple Inverter

FEATURES

- High output drive : $\pm 24\text{mA}(\text{min.}) @V_{CC}=3\text{V}$.
- Super high speed operation : $t_{pd} 2.3\text{ns}(\text{typ.}) @V_{CC}=5\text{V}, 50\text{pF}$.
- Operation voltage range : $V_{CC(\text{opr})}=1.65\sim 5.5\text{V}$.
- Latch-up performance : $\pm 500\text{mA}$ or more
- ESD performance : $\pm 200\text{V}$ or more (EIAJ)
 $\pm 2000\text{V}$ or more (MIL)
- Power down protection is provided on all inputs and outputs.

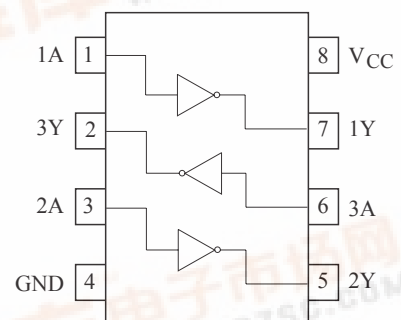
MARKING



MAXIMUM RATINGS (Ta=25 °C)

CHARACTERISTIC	SYMBOL	RATING	UNIT
Power Supply Voltage	V_{CC}	-0.5~6	V
DC Input Voltage	V_{IN}	-0.5~6	V
DC Output Voltage	V_{OUT}	-0.5~6	V
Input Diode Current	I_{IK}	-20	mA
Output Diode Current	I_{OK}	-20	mA
DC Output Current	I_{OUT}	± 50	mA
DC V_{CC} /ground Current	I_{CC}	± 50	mA
Power Dissipation	P_D	200	mW
Storage Temperature Range	T_{stg}	-65 ~ 150	°C
Lead Temperature (10s)	T_L	260	°C

PIN CONNECTION(TOP VIEW)



KIC7WZ04FK

Truth Table

A	Y
L	H
H	L

Logic Diagram



Recommended Operating Conditions

CHARACTERISTIC	SYMBOL	RATING	UNIT
Supply Voltage	V_{CC}	1.65~5.5	V
		1.5~5.5 (Note1)	
Input Voltage	V_{IN}	0~5.5	V
Output Voltage	V_{OUT}	0~5.5 (Note2)	V
		0~ V_{CC} (Note3)	
Operating Temperature	T_{opr}	-40~85	°C
Input Rise and Fall Time	d_t/d_v	0~20 ($V_{CC}=1.8V \pm 0.15V,$ $2.5V \pm 0.2V$)	ns/V
		0~10 ($V_{CC}=3.3V \pm 0.3V$)	
		0~5 ($V_{CC}=5.5V \pm 0.5V$)	

Note1 : Data retention only.

Note2 : $V_{CC}=0V$.

Note3 : High or low state

KIC7WZ04FK

ELECTRICAL CHARACTERISTICS

DC Characteristics

CHARACTERISTIC		SYMBOL	TEST CONDITION		Ta=25°C			Ta=-40~85°C		UNIT		
					V _{CC} (V)	MIN.	TYP.	MAX.	MIN.		MAX.	
Input Voltage	High Level	V _{IH}	-	1.65~1.95	0.75 × V _{CC}	-	-	0.75 × V _{CC}	-	V		
				2.3~5.5	0.7 × V _{CC}	-	-	0.7 × V _{CC}	-			
	Low Level	V _{IL}	-	1.65~1.95	-	-	0.25 × V _{CC}	-	0.25 × V _{CC}			
				2.3~5.5	-	-	0.3 × V _{CC}	-	0.3 × V _{CC}			
Output Voltage	High Level	V _{OH}	V _{IN} = V _{IH} or V _{IL}	I _{OH} =-100μA	1.65	1.55	1.65	-	1.55	-	V	
					2.3	2.2	2.3	-	2.2	-		
					3.0	2.9	3.0	-	2.9	-		
					4.5	4.4	4.5	-	4.4	-		
					I _{OH} =-4mA	1.65	1.29	1.52	-	1.29		-
					I _{OH} =-8mA	2.3	1.9	2.15	-	1.9		-
					I _{OH} =-16mA	3.0	2.4	2.8	-	2.4		-
					I _{OH} =-24mA	3.0	2.3	2.68	-	2.3		-
	Low Level	V _{OL}	V _{IN} =V _{IL}	I _{OL} =100μA	1.65	-	0	0.1	-	0.1	V	
					2.3	-	0	0.1	-	0.1		
					3.0	-	0	0.1	-	0.1		
					4.5	-	0	0.1	-	0.1		
					I _{OL} =4mA	1.65	-	0.08	0.24	-		0.24
					I _{OL} =8mA	2.3	-	0.1	0.3	-		0.3
					I _{OL} =16mA	3.0	-	0.15	0.4	-		0.4
					I _{OL} =24mA	3.0	-	0.22	0.55	-		0.55
I _{OL} =32mA	4.5	-	0.22	0.55	-	0.55						
Input Leakage Current		I _{IN}	V _{IN} =5.5V or GND	0~5.5	-	-	±1	-	±10	μA		
Power Off Leakage Current		I _{OFF}	V _{IN} or V _{OUT} =5.5V	0.0	-	-	1	-	10	μA		
Quiescent Supply Current		I _{CC}	V _{IN} =5.5V or GND	1.65~5.5	-	-	1	-	10	μA		

AC Characteristics (unless otherwise specified, Input : t_r=t_f=3ns)

CHARACTERISTIC		SYMBOL	TEST CONDITION		Ta=25°C			Ta=-40~85°C		UNIT	
					V _{CC} (V)	MIN.	TYP.	MAX.	MIN.		MAX.
Propagation delay time	t _{PLH} t _{PHL}	C _L =15pF, R _L =1MΩ	-	1.8 ± 0.15	1.8	4.4	9.5	2.0	10.0	ns	
				2.5 ± 0.2	1.2	3.0	5.1	1.2	5.6		
				3.3 ± 0.3	0.8	2.2	3.4	0.8	3.8		
				5.0 ± 0.5	0.5	1.8	2.8	0.5	3.1		
				C _L =50pF, R _L =500Ω	3.3 ± 0.3	1.2	2.9	4.5	1.2	5.0	ns
					5.0 ± 0.5	0.8	2.3	3.6	0.8	4.0	
Input Capacitance		C _{IN}	-	0~5.5	-	3.0	-	-	-	pF	
Power Dissipation Capacitance		C _{PD}	(Note)	3.3	-	18	-	-	-	pF	
				5.5	-	23	-	-	-		

Note : C_{PD} is defined as the value of the internal equivalent capacitance which is calculated from the operating current consumption without load. Average operating current can be obtained by the equation : I_{CC(opr)}=C_{PD} · V_{CC} · f_{IN}+I_{CC}/3