

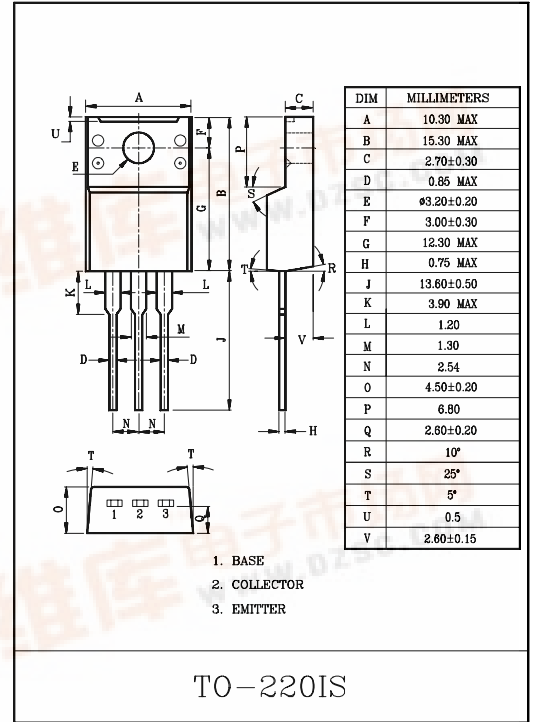
B/W TV HORIZONTAL DEFLECTION  
OUTPUT APPLICATION.

**FEATURES**

- Large Collector Current Capability.
- Large Collector Power Dissipation Capability.

**MAXIMUM RATINGS (Ta=25°C)**

CHARACTERISTIC	SYMBOL	RATING	UNIT
Collector-Base Voltage	V <sub>CB0</sub>	200	V
Collector-Emitter Voltage	V <sub>CEO</sub>	60	V
Emitter-Base Voltage	V <sub>EBO</sub>	5	V
Collector Current	I <sub>C</sub>	4	A
	I <sub>CP</sub>	10	
Base Current	I <sub>B</sub>	1	A
Collector Power Dissipation (Tc=25°C)	P <sub>C</sub>	30	W
Junction Temperature	T <sub>j</sub>	150	°C
Storage Temperature Range	T <sub>stg</sub>	-55~150	°C

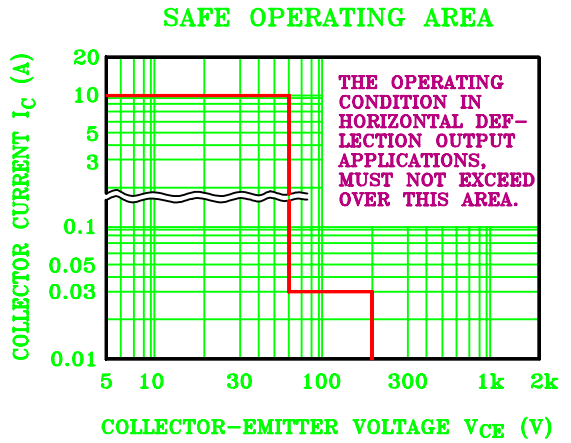
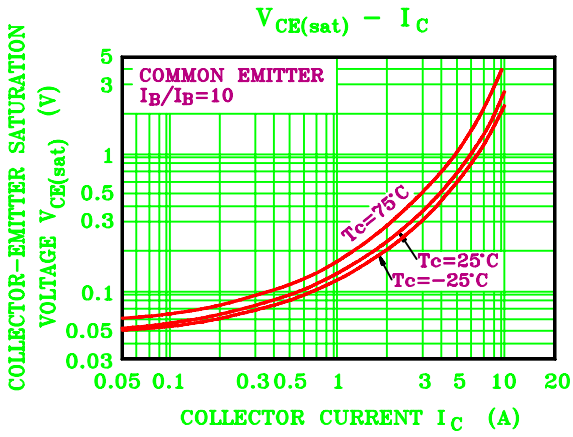
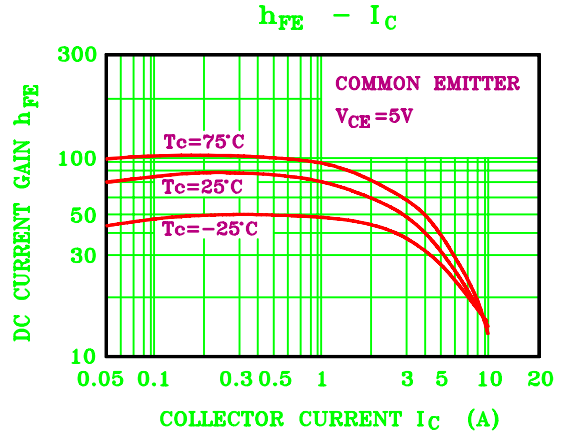
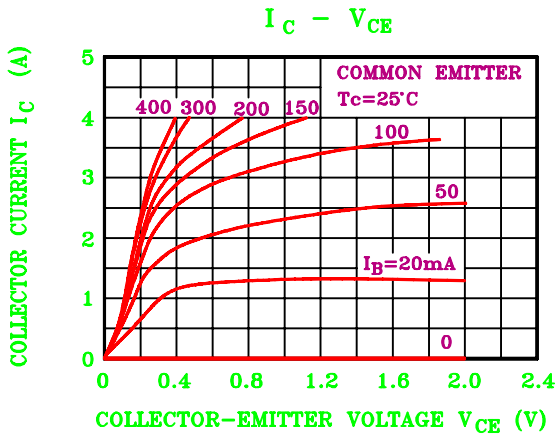


**ELECTRICAL CHARACTERISTICS (Ta=25°C)**

CHARACTERISTIC	SYMBOL	TEST CONDITION	MIN.	TYP.	MAX.	UNIT
Collector Cut-off Current	I <sub>CB0</sub>	V <sub>CB</sub> =170V, I <sub>E</sub> =0	-	-	10	μA
Emitter Cut-off Current	I <sub>EBO</sub>	V <sub>EB</sub> =5V, I <sub>C</sub> =0	-	-	10	μA
DC Current Gain	h <sub>FE</sub> (1)	V <sub>CE</sub> =5V, I <sub>C</sub> =1A	30	-	150	
	h <sub>FE</sub> (2)	V <sub>CE</sub> =5V, I <sub>C</sub> =4A	20	40	-	
Collector-Emitter Saturation Voltage	V <sub>CE(sat)</sub>	I <sub>C</sub> =4A, I <sub>B</sub> =0.4A	-	-	1.0	V
Base-Emitter Saturation Voltage	V <sub>BE(sat)</sub>	I <sub>C</sub> =4A, I <sub>B</sub> =0.4A	-	-	1.5	V
Transition Frequency	f <sub>T</sub>	V <sub>CE</sub> =5V, I <sub>C</sub> =0.5A	-	8.0	-	MHz



# KTC1003



TEST CIRCUIT

