

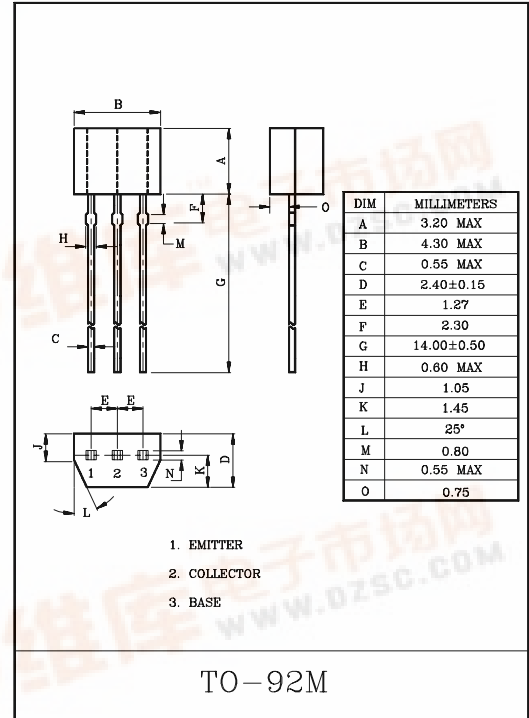
HIGH CURRENT APPLICATION.

FEATURE

- Complementary to KTA1272.

MAXIMUM RATINGS (Ta=25°C)

CHARACTERISTIC	SYMBOL	RATING	UNIT
Collector-Base Voltage	V _{CB0}	35	V
Collector-Emitter Voltage	V _{CEO}	30	V
Emitter-Base Voltage	V _{EBO}	5	V
Collector Current	I _C	800	mA
Emitter Current	I _B	160	mA
Collector Power Dissipation	P _C	400	mW
Junction Temperature	T _j	150	°C
Storage Temperature Range	T _{stg}	-55 ~ 150	°C



ELECTRICAL CHARACTERISTICS (Ta=25°C)

CHARACTERISTIC	SYMBOL	TEST CONDITION	MIN.	TYP.	MAX.	UNIT
Collector Cut-off Current	I _{CB0}	V _{CB} =30V, I _E =0	-	-	100	nA
Emitter Cut-off Current	I _{EBO}	V _{EB} =5V, I _C =0	-	-	100	nA
Collector-Emitter Breakdown Voltage	V _{(BR)CEO}	I _C =10mA	30	-	-	V
DC Current Gain	h _{FE} (1) (Note)	V _{CE} =1V, I _C =100mA	100	-	320	
	h _{FE} (2)	V _{CE} =1V, I _C =700mA	35	-	-	
Collector-Emitter Saturation Voltage	V _{CE(sat)}	I _C =500mA, I _B =20mA	-	-	0.5	V
Base-Emitter Voltage	V _{BE}	V _{CE} =1V, I _C =10mA	0.5	-	0.8	V
Transition Frequency	f _T	V _{CE} =5V, I _C =10mA	-	120	-	MHz
Collector Output Capacitance	C _{ob}	V _{CB} =10V, f=1MHz	-	13	-	pF

Note : h_{FE}(1) Classification O : 100~200, Y : 160~320

