

VARIABLE CAPACITANCE DIODE

FEATURES

- Very Low Operating Voltage
- Excellent Linearity (CV Curve)
- Large Capacitance Ratio (A = 4.6 minimum)
- Two Diodes in a 3 Lead Through-Hole Discrete Package (TO92-3)
- Very Small Capacitance Deviation at Tape/Reel

APPLICATIONS

- FM Radio
- Voltage Controlled Oscillator

DESCRIPTION

The KV1350NT variable capacitance diode was specially made to be used as tuning elements in car radios, radio cassettes, stereos, and other consumer radios. The KV1350NT is suitable for wide band tuning from 76 to 108 MHz.

If the KV1350NT is used only for FM reception, it is possible to operate it at 4.5 V so it is very useful in lowering the power demands of the set.

CLASSIFICATION

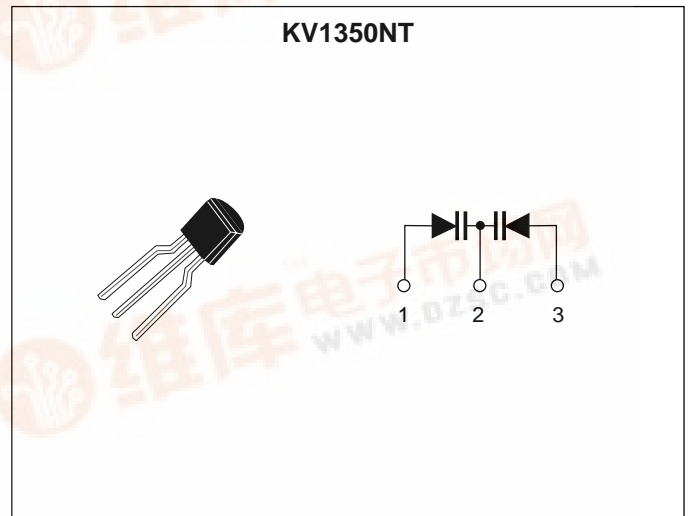
(Unit: pF)

C		RANK				
		1	2	3	4	5
C ₁	MIN	59.15	60.30	61.50	62.75	64.00
	MAX	60.90	62.10	63.35	64.65	65.90

ORDERING INFORMATION

KV1350NT

Note: The KV1350NT is supplied on folded paper tape (25 pieces per fold) 1500 pcs per box.



KV1350NT

ABSOLUTE MAXIMUM RATINGS

Reverse Voltage 18V Storage Temperature Range -55 to +150 °C
Forward Current 50 mA Operating Temperature Range -55 to +85 °C
Power Dissipation 100 mW

ELECTRICAL CHARACTERISTICS

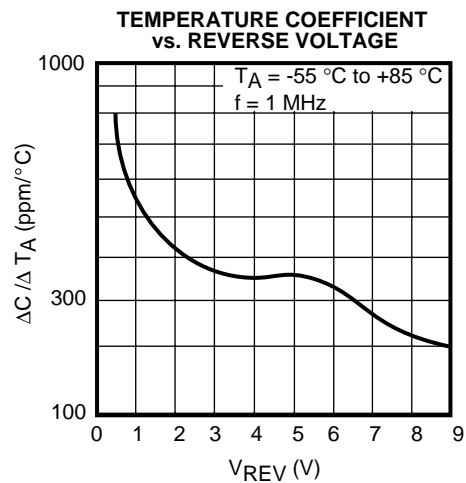
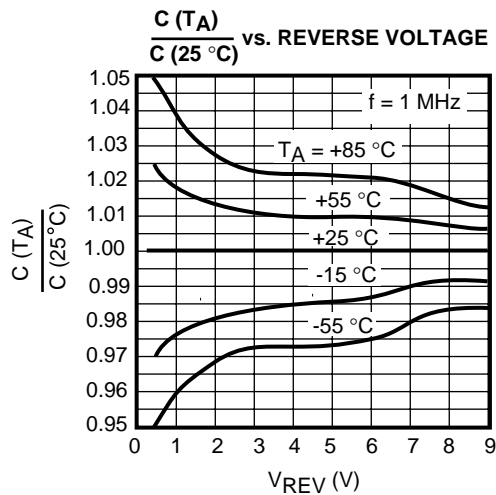
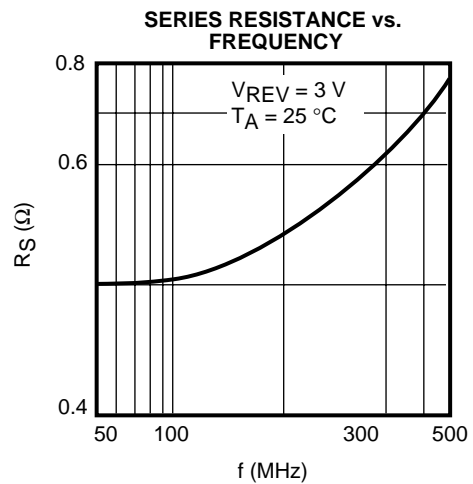
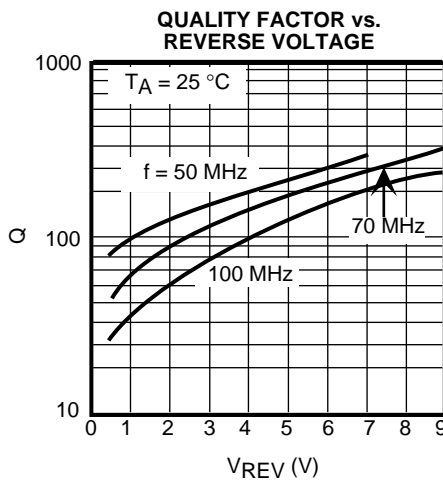
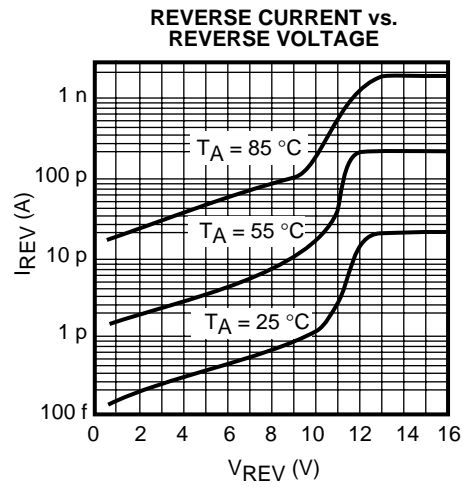
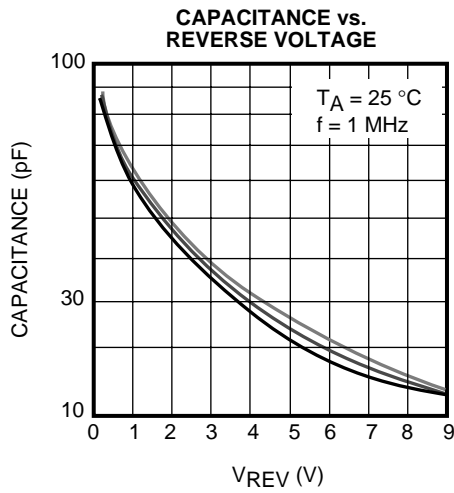
Test conditions: $T_A = 25\text{ °C}$

SYMBOL	PARAMETER	TEST CONDITIONS	MIN	TYP	MAX	UNITS
V_{REV}	Reverse Voltage	$I_{REV} = 10\ \mu\text{A}$	16			V
I_{REV}	Reverse Current	$V_{REV} = 10.0\ \text{V}$			100	nA
C_1	Diode Capacitance 1	$V_{REV} = 1.0\ \text{V}, f = 1\ \text{MHz}$	59.15	62.50	65.90	pF
C_6	Diode Capacitance 6	$V_{REV} = 6.0\ \text{V}, f = 1\ \text{MHz}$	17.67		23.54	pF
C_9	Diode Capacitance 9	$V_{REV} = 9.0\ \text{V}, f = 1\ \text{MHz}$	10.77		13.26	pF
Q	Quality Factor	$V_{REV} = 3.0\ \text{V}, f = 100\ \text{MHz}$	60			
A	Capacitance Ratio	C_1 / C_9	4.6			

Note 1: Diode Capacitance measured with HP 4279A or equivalent instruments (at OSC level 20 mVrms, ± 5 mVrms).

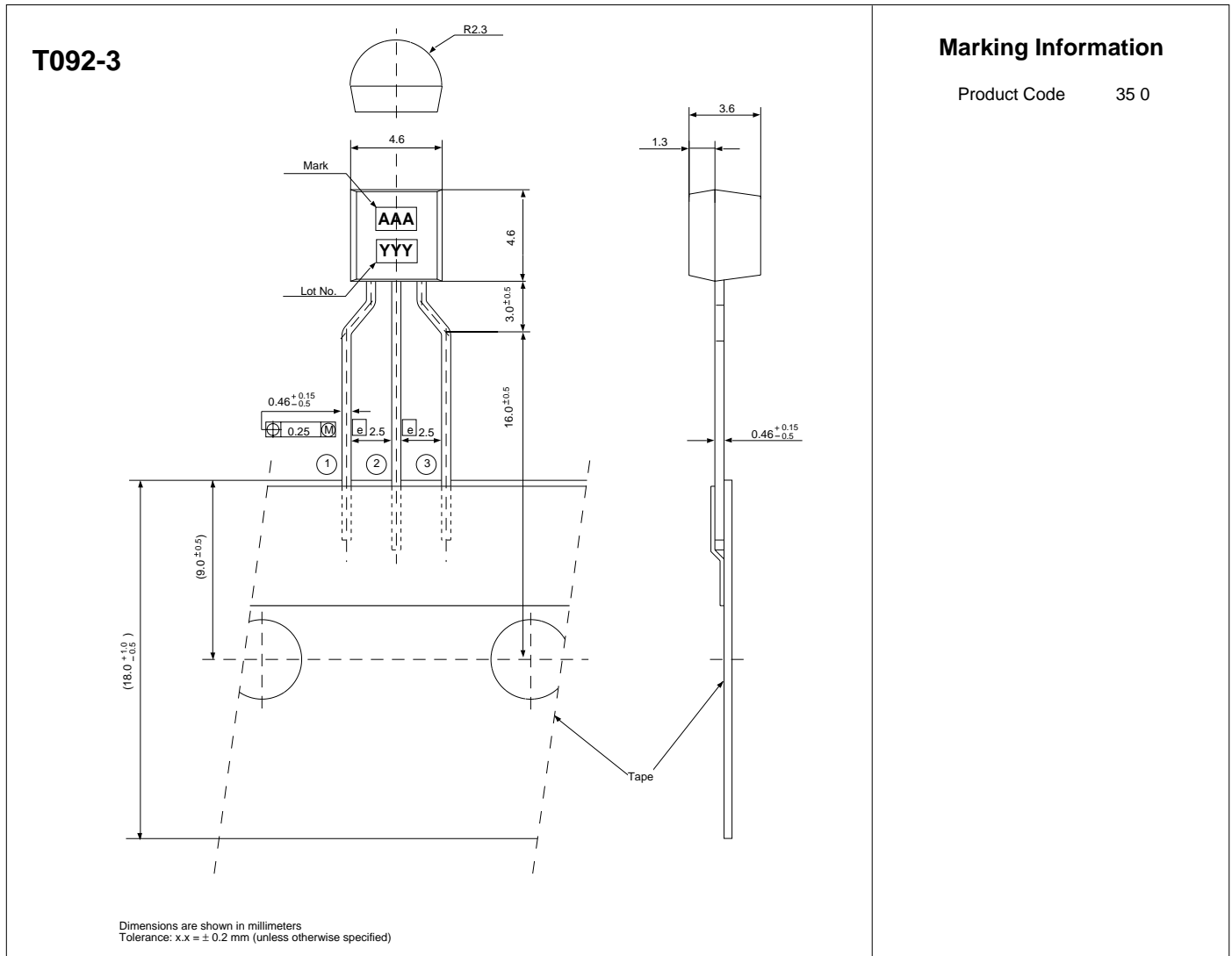
Note 2: Series Resistance measured with HP 4191A or equivalent instruments.

TYPICAL PERFORMANCE CHARACTERISTICS



KV1350NT

PACKAGE OUTLINE



Toko America, Inc. Headquarters
1250 Feehanville Drive, Mount Prospect, Illinois 60056
Tel: (847) 297-0070 Fax: (847) 699-7864

TOKO AMERICA REGIONAL OFFICES

Midwest Regional Office
Toko America, Inc.
1250 Feehanville Drive
Mount Prospect, IL 60056
Tel: (847) 297-0070
Fax: (847) 699-7864

Western Regional Office
Toko America, Inc.
2480 North First Street, Suite 260
San Jose, CA 95131
Tel: (408) 432-8281
Fax: (408) 943-9790

Eastern Regional Office
Toko America, Inc.
107 Mill Plain Road
Danbury, CT 06811
Tel: (203) 748-6871
Fax: (203) 797-1223

Semiconductor Technical Support
Toko Design Center
4755 Forge Road
Colorado Springs, CO 80907
Tel: (719) 528-2200
Fax: (719) 528-2375

Visit our Internet site at <http://www.tokoam.com>

The information furnished by TOKO, Inc. is believed to be accurate and reliable. However, TOKO reserves the right to make changes or improvements in the design, specification or manufacture of its products without further notice. TOKO does not assume any liability arising from the application or use of any product or circuit described herein, nor for any infringements of patents or other rights of third parties which may result from the use of its products. No license is granted by implication or otherwise under any patent or patent rights of TOKO, Inc.