



Memory Module Specification

KVR100X64C3/256 100MHz SDRAM 168-Pin PC100 Memory Module

DESCRIPTION:

This document describes ValueRAM's 32M x 64-bit (256MB), CAS Latency 3 (CL3) SDRAM (Synchronous DRAM) 100MHz memory module. The components on this module include sixteen 16M x 8-bit PC100 CL3 SDRAM components in TSOP packages. This 168-pin DIMM uses gold contact fingers and requires +3.3V. The electrical and mechanical specifications are as follows:

FEATURES:

- ✓ CLK Cycle Time (tCC) min. = 10ns (CAS Latency = 3) / max. = 1000ns
- ✓ Row Cycle Time (tRC) 70ns
- ✓ CLK to Output (tSAC) max. = 6ns (CAS Latency = 3)
- ✓ Single Power Supply of +3.3V (+/- .3V)
- ✓ Power 4.658 W (operating)
- ✓ UL Rating 94 V - 0

Note: The module defined in this data sheet is one of several configurations available under this part number. While all configurations are compatible, the DRAM combination and/or the module height may vary from what is described here. However, in no configuration will the module height exceed 1.375" (34.92mm).

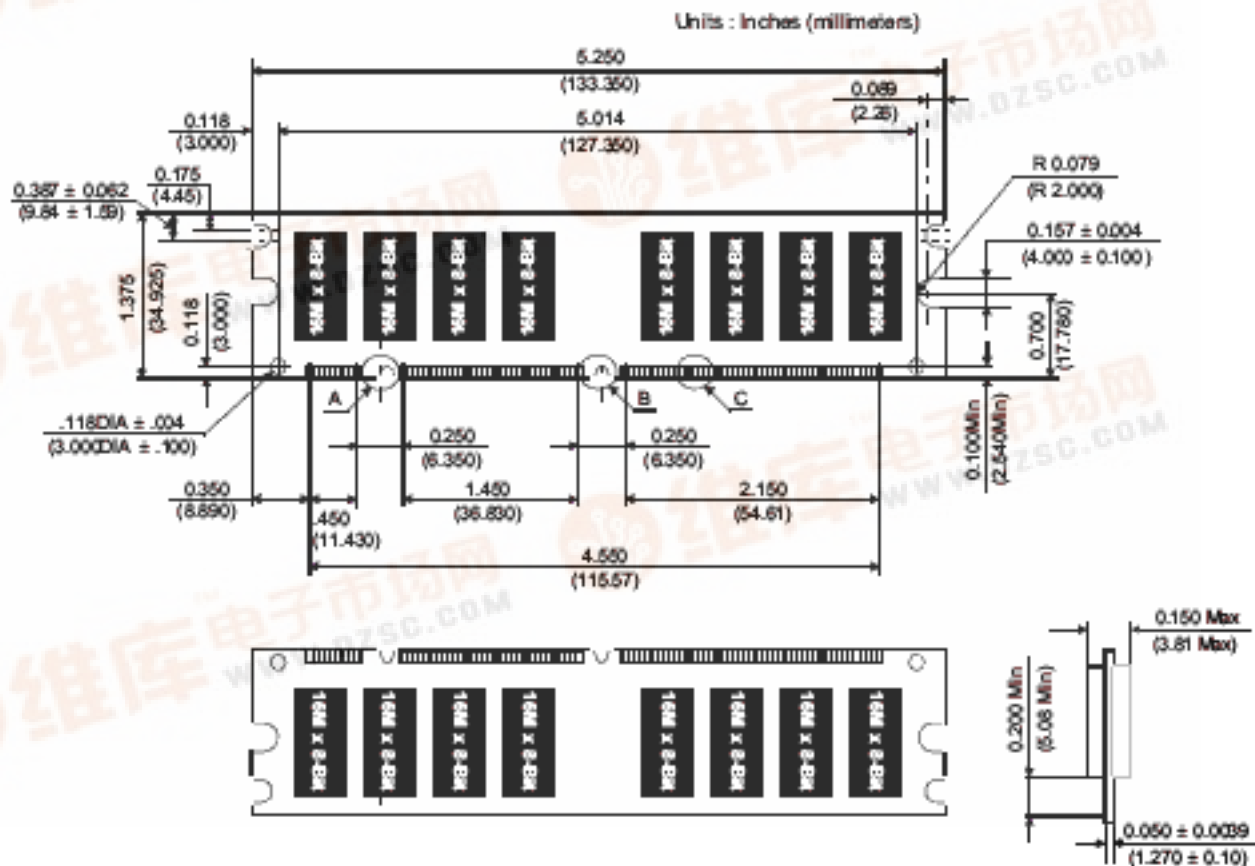


Figure 1: KVR100X64C3/256 168-Pin SDRAM Module

