

2x5mm BI-COLOR RECTANGULAR LED LAMPS

- L-117EGW HIGH EFFICIENCY RED / GREEN
- L-117EYW HIGH EFFICIENCY RED / YELLOW
- L-117GYW GREEN / YELLOW

Features

- UNIFORM LIGHT OUTPUT.
- SUITABLE FOR LEVEL INDICATOR.
- LOW POWER CONSUMPTION.
- MILKY WHITE DIFFUSION LENS.
- SUPER BRIGHT VERSION AVAILABLE.
- I.C. COMPATIBLE.
- LONG LIFE - SOLID STATE RELIABILITY.

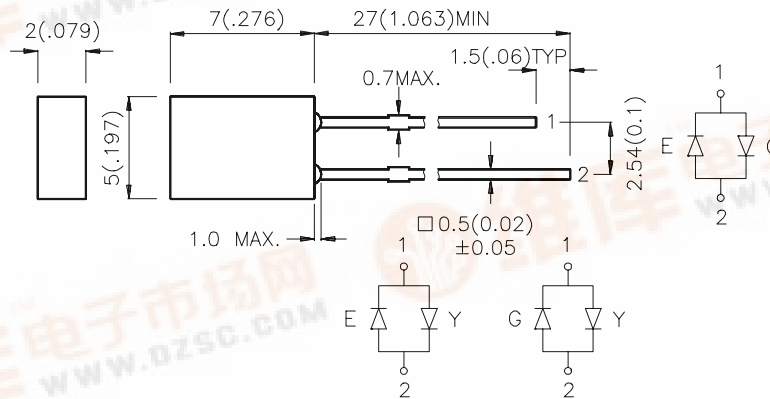
Description

The High Efficiency Red source color devices are made with Gallium Arsenide Phosphide on Gallium Phosphide Orange Light Emitting Diode.

The Green source color devices are made with Gallium Phosphide Green Light Emitting Diode.

The Yellow source color devices are made with Gallium Arsenide Phosphide on Gallium Phosphide Yellow Light Emitting Diode.

Package Dimensions



Notes:

1. All dimensions are in millimeters (inches).
2. Tolerance is ±0.25(0.01") unless otherwise noted.
3. Lead spacing is measured where the lead emerge package.
4. Specifications are subject to change without notice.

Selection Guide

| Part No. | Dice | Lens Type | Iv (mcd) @ 20 mA | | Viewing Angle |
|----------|---------------------------------|----------------|---------------------|------|------------------|
| | | | Min. | Typ. | θ1/2 |
| L-117EGW | HIGH EFFICIENCY RED (GaAsP/GaP) | WHITE DIFFUSED | 5 | 10 | 110° |
| | GREEN (GaP) | | 5 | 8 | |
| L-117EYW | HIGH EFFICIENCY RED (GaAsP/GaP) | WHITE DIFFUSED | 5 | 10 | 110° |
| | YELLOW (GaAsP/GaP) | | 3 | 6 | |
| L-117GYW | GREEN (GaP) | WHITE DIFFUSED | 5 | 8 | 110° |
| | YELLOW (GaAsP/GaP) | | 3 | 6 | |

Note:

1. θ1/2 is the angle from optical centerline where the luminous intensity is 1/2 the optical centerline value.

Electrical / Optical Characteristics at T_A=25°C

| Symbol | Parameter | Device | Typ. | Max. | Units | Test Conditions |
|-------------------|-------------------------|--|-------------------|-------------------|-------|-----------------|
| λ _{peak} | Peak Wavelength | High Efficiency Red Green Yellow | 627 565 590 | | nm | IF=20mA |
| λ _D | Dominate Wavelength | High Efficiency Red Green Yellow | 625 568 588 | | nm | IF=20mA |
| Δλ _{1/2} | Spectral Line Halfwidth | High Efficiency Red Green Yellow | 45 30 35 | | nm | IF=20mA |
| C | Capacitance | High Efficiency Red Green Yellow | 15 15 20 | | pF | VF=0V;f=1MHz |
| V _F | Forward Voltage | High Efficiency Red Green Yellow | 2.0 2.2 2.1 | 2.5 2.5 2.5 | V | IF=20mA |
| I _R | Reverse Current | All | | 10 | uA | VR = 5V |

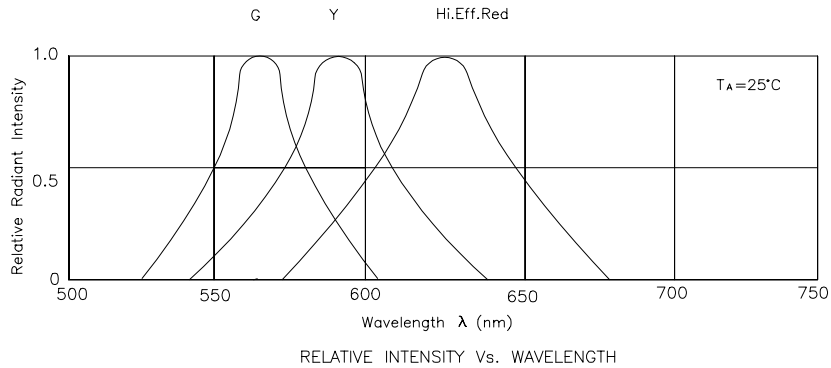
Absolute Maximum Ratings at T_A=25°C

| Parameter | High Efficiency Red | Green | Yellow | Units |
|-------------------------------|---------------------|-------|--------|-------|
| Power dissipation | 105 | 105 | 105 | mW |
| DC Forward Current | 30 | 25 | 30 | mA |
| Peak Forward Current [1] | 160 | 140 | 140 | mA |
| Reverse Voltage | 5 | 5 | 5 | V |
| Operating/Storage Temperature | -40°C To +85°C | | | |
| Lead Solder Temperature [2] | 260°C For 5 Seconds | | | |

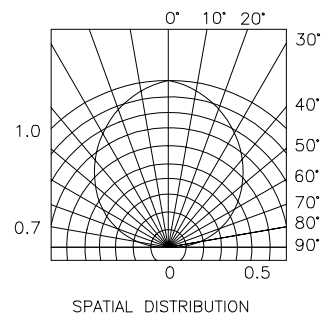
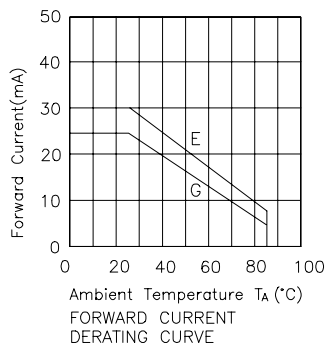
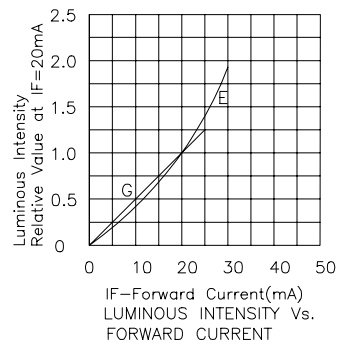
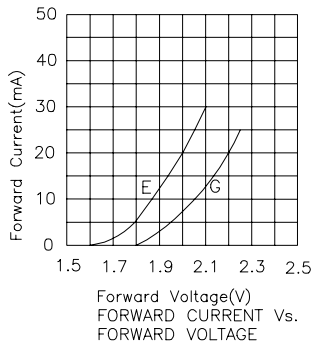
Notes:

- 1/10 Duty Cycle, 0.1ms Pulse Width.
- 4mm below package base.

Kingbright

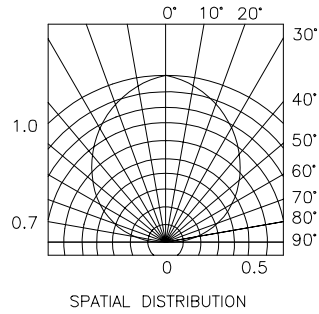
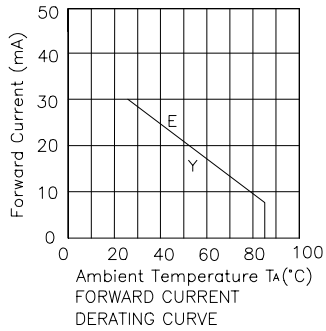
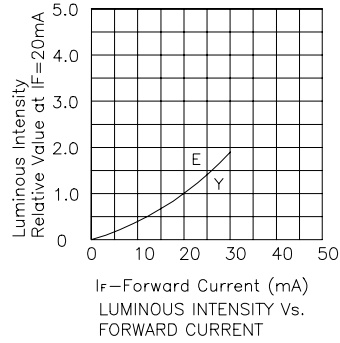
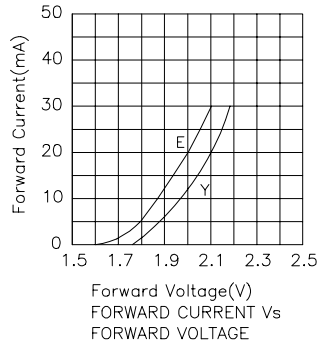


High Efficiency Red / Green L-117EGW



Kingbright

High Efficiency Red / Yellow L-117EYW



Green / Yellow L-117GYW

