

REV. Status

REVISION -
08/02/05 JU

REVISION A
REV'D CURRENT/PIN
Ø1.2 WAS 25A
10/18/05 JU

REVISION B
ADDED RoHS
01/26/06 JU

REVISION C
ADDED PIN DIMS
03/23/06 JU



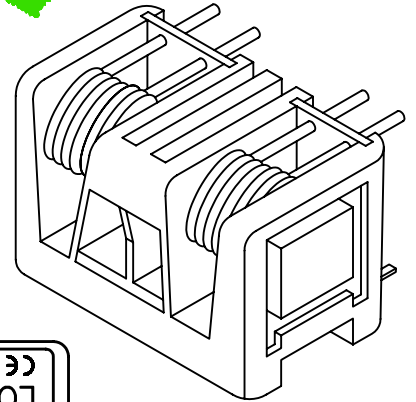
L07P***S05 SERIES * OPEN LOOP * PCB MOUNT *
DUAL INTEGRATED PRIMARY CURRENT SENSOR

MODEL NUMBER
L07P***S05

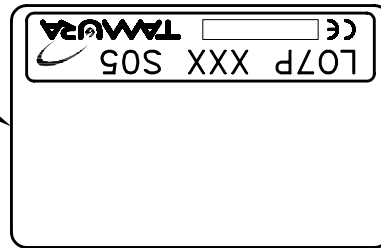


NOTES: UNLESS OTHERWISE SPECIFIED

1. All Electrical Specifications @ Ta=25°C, VCC=+5V and RL=10KΩ
2. All dimensional tolerances to be ±0.5[0.020].
3. Although output voltage is 2.5V ±1.5V at rated current If, use current within continuation DC current If_{DC}.
4. The offset voltage indicated is measured after the core hysteresis is removed.
5. For response time, each channel value is as specified, and the input current for other channels should be 0A.
6. If a capacitor is connected to the output directly, it must be less than 50pF.

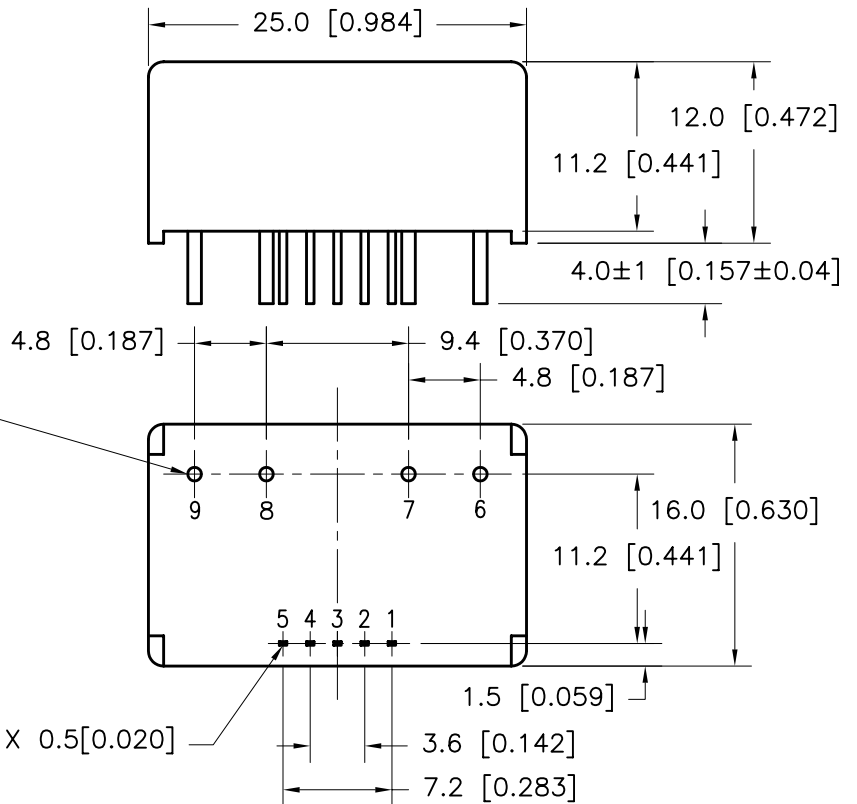


COVER IS OPTIONAL



TERMINAL	FUNCTION
1	+5V
2	NC
3	OUT1
4	OUT2
5	GND
6	+IN1
7	-IN1
8	+IN2
9	-IN2

CURRENT	Ø PIN
5A ~ 10A	Ø 0.6[0.024]
15A ~ 20A	Ø 0.9[0.035]
25A ~ 40A	Ø 1.2[0.047]



RECTANGULAR PINS 0.25[0.010] X 0.5[0.020]

See sheet 2 for Electrical Specifications

PREPARED BY:

K. BRENNAN

ENGINEER:

J. USACK

QUALITY CONTROL:

T. CLEM

APPROVED:

Y. SEKIGUCHI

DRAWING CONTROL NO.
P-A4-13574
ACAD/MXFMR/A4135741.DWG

REV
C

MODEL DESCRIPTION
CURRENT SENSOR
L07P***S05 SERIES

TAMURA CORPORATION OF AMERICA
43352 BUSINESS PARK DRIVE, TEMECULA, CA. 92590-6624
(951) 699-1270 FAX 9516769482

MODEL SPECIFICATION

L07P***S05

DIM: mm[In] SCL: 2/1 SH: 1 OF 2

PROPRIETARY NOTICE: THIS DRAWING PRINT OR DOCUMENT AND SUBJECT MATTER DISCLOSED HEREIN ARE PROPRIETARY ITEMS TO WHICH TAMURA RETAINS THE EXCLUSIVE RIGHT OF DISSEMINATION, REPRODUCTION, MANUFACTURE AND SALE. THIS DRAWING, PRINT OR DOCUMENT IS SUBMITTED IN CONFIDENCE FOR CONSIDERATION BY THE RECIPIENT ALONE UNLESS PERMISSION FOR FURTHER DISCLOSURE IS EXPRESSLY GRANTED IN WRITING.

REV. Status

REVISION - 08/03/05 JU
REVISION A SEE SHEET 1 10/18/05 JU
REVISION B SEE SHEET 1 01/26/06 JU
REVISION C SEE SHEET 1 03/23/06 JU

PREPARED BY:
K. BRENNAN

ENGINEER:
J. USACK

QUALITY CONTROL:
T. CLEM

APPROVED:
Y. SEKIGUCHI

Electrical Specification	SYMBOL	L07P005 S05	L07P007 S05	L07P010 S05	L07P015 S05	L07P020 S05	L07P025 S05	L07P030 S05	L07P040 S05
Nominal Primary DC Current	If	±5A	±7.5A	±10A	±15A	±20A	±25A	±30A	±40A
Continuation DC Current	If _{DC}	±3.5A	±4A	±5A	±10A	±10A	±15A	±15A	±15A
Maximum Current	If _{MAX}	±6.25A	±9.375A	±12.5A	±18.75A	±25A	±31.25A	±37.5A	±50A
Rated Output Voltage	V _{OUT}	2.5V +1.5V							
Offset Voltage	V _{OE}	V _{OUT} ±45mV (at If)							
Output Linearity	E _L	≤ ±1% (at 0A ~ If) (without offset)							
Power Supply	V _{CC}	+5V ±5%							
Current Consumption	I _C	≤ 30mA							
Response Time	T _r	≤ 5 μsec (at di/dt = 10A / 5 μsec)							
Output Temperature Characteristic	TCE _G	≤ ±2mV / °C MAX (without offset)							
Offset Temperature Coefficient	V _{OT}	≤ ±2mV / °C MAX							
Hysteresis Allowance	V _{OH}	≤ 15mV (0A ↔ If)							
Withstand Voltage	V _d	AC2000V for 1 minute (sensing current 0.5mA) Pri ↔ Sec							
Insulation Resistance	R _{IS}	≥ 500MΩ (at DC500V) Pri ↔ Sec							
Operating Temperature	T _A	-25 ~ +85°C							
Storage Temperature	T _S	-25 ~ +85°C							

DRAWING CONTROL NO.
P-A4-13574
ACAD\MXFMR\A4135742.DWG

REV
C

MODEL DESCRIPTION
CURRENT SENSOR
L07P***S05 SERIES

TAMURA CORPORATION OF AMERICA
43352 BUSINESS PARK DRIVE, TEMECULA, CA. 92590-6624
(951) 699-1270 FAX 9516769482

MODEL SPECIFICATION
L07P***S05

DIM: mm[In] SCL: NONE SH: 2 OF 2

MODEL NUMBER
L07P*S05**

PROPRIETARY NOTICE: THIS DRAWING PRINT OR DOCUMENT AND SUBJECT MATTER DISCLOSED HEREIN ARE PROPRIETARY ITEMS TO WHICH TAMURA RETAINS THE EXCLUSIVE RIGHT OF DISSEMINATION, REPRODUCTION, MANUFACTURE AND SALE. THIS DRAWING, PRINT OR DOCUMENT IS SUBMITTED IN CONFIDENCE FOR CONSIDERATION BY THE RECIPIENT ALONE UNLESS PERMISSION FOR FURTHER DISCLOSURE IS EXPRESSLY GRANTED IN WRITING.