

REV. Status

REVISION -
08/02/05 JU

REVISION A
ADDED RoHS
01/26/06 JU

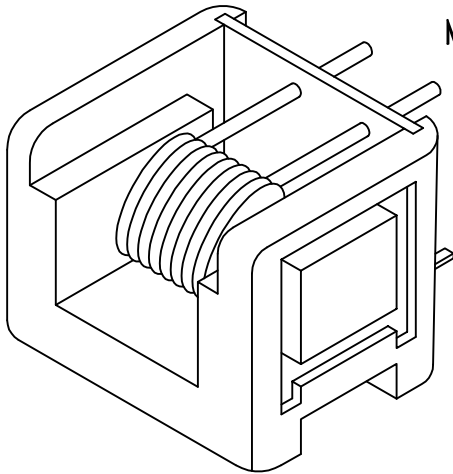


L18P***D15 SERIES * OPEN LOOP * PCB MOUNT *
INTEGRATED PRIMARY CURRENT SENSOR

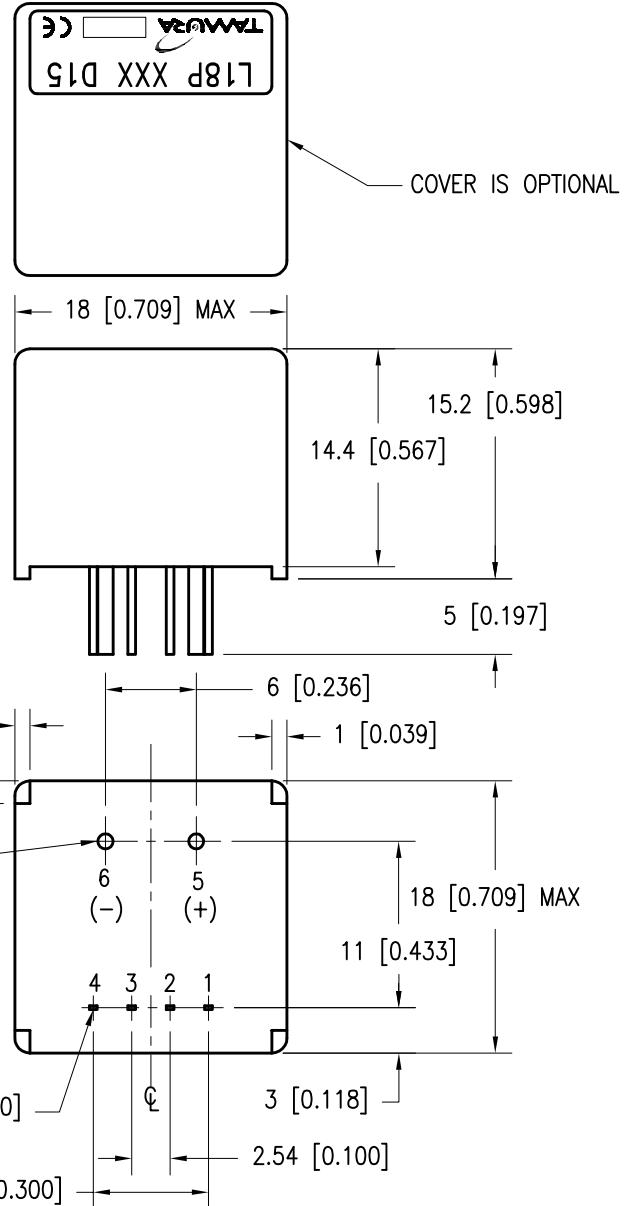
MODEL NUMBER
L18P*D15**

NOTES: UNLESS OTHERWISE SPECIFIED

- All Electrical Specifications @ $T_a=25^{\circ}\text{C}$, $V_{CC}=\pm 15\text{V}$ and $R_L=10\text{K}\Omega$
- All dimensional tolerances to be $\pm 0.5[0.020]$.



Mechanical Configuration for 3A through 30A
(See sheet 2 for 40A through 60A)



TERMINAL	FUNCTION
1	$-V_{CC}$
2	GND
3	$+V_{CC}$
4	OUTPUT
5	Primary Input Current (+)
6	Primary Input Current (-)

CURRENT	ϕ PIN
3A, 5A	ϕ 0.6[0.024]
10A, 15A	ϕ 1.0[0.040]
20A, 25A, 30A	ϕ 1.2[0.047]

4 RECTANGULAR PINS 0.25[0.010] X 0.5[0.020]

PREPARED BY:
K. BRENNAN

See sheet 3 for Electrical Specifications

ENGINEER: J. USACK	DRAWING CONTROL NO. P-A4-13577 ACAD/MXFMR/A4135771.DWG	REV A	MODEL DESCRIPTION CURRENT SENSOR L18P***D15 SERIES	MODEL SPECIFICATION L18P***D15
QUALITY CONTROL: T. CLEM	TAMURA CORPORATION OF AMERICA 43352 BUSINESS PARK DRIVE, TEMECULA, CA. 92590-6624 (951) 699-1270 FAX 9516769482			DIM: mm[In] SCL: 2/1 SH: 1 OF 3

APPROVED:
Y. SEKIGUCHI

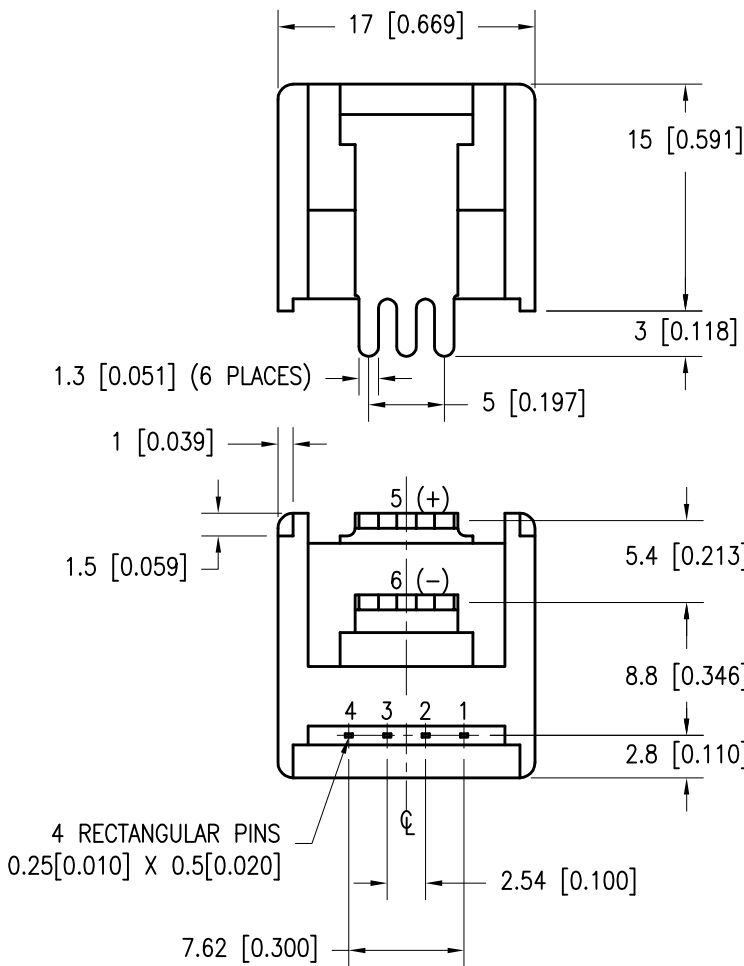
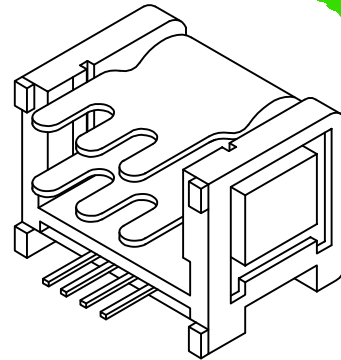
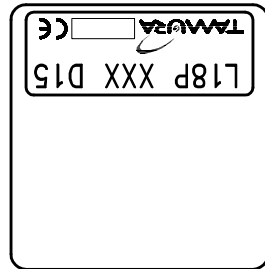
PROPRIETARY NOTICE: THIS DRAWING PRINT OR DOCUMENT AND SUBJECT MATTER DISCLOSED HEREIN ARE PROPRIETARY ITEMS TO WHICH TAMURA RETAINS THE EXCLUSIVE RIGHT OF DISSEMINATION, REPRODUCTION, MANUFACTURE AND SALE. THIS DRAWING, PRINT OR DOCUMENT IS SUBMITTED IN CONFIDENCE FOR CONSIDERATION BY THE RECIPIENT ALONE UNLESS PERMISSION FOR FURTHER DISCLOSURE IS EXPRESSLY GRANTED IN WRITING.



L18P***D15 SERIES ★ OPEN LOOP ★ PCB MOUNT ★
INTEGRATED PRIMARY CURRENT SENSOR

MODEL NUMBER
L18P*D15**

Mechanical Configuration for 40A through 60A
(See sheet 1 for 3A through 30A)



BUSBAR

TERMINAL	FUNCTION
1	-V _{CC}
2	GND
3	+V _{CC}
4	OUTPUT
5	Primary Input Current (+)
6	Primary Input Current (-)

CURRENT	PIN
40, 50A, 60A	BUSBAR 1.0[0.04]X6.3[2.48]

PREPARED BY:
K. BRENNAN

See sheet 3 for Electrical Specifications

ENGINEER: J. USACK	DRAWING CONTROL NO. P-A4-13577 ACAD/MXFMR/A4135772.DWG	REV A	MODEL DESCRIPTION CURRENT SENSOR L18P***D15 SERIES	MODEL SPECIFICATION L18P***D15
QUALITY CONTROL: T. CLEM	TAMURA CORPORATION OF AMERICA 43352 BUSINESS PARK DRIVE, TEMECULA, CA. 92590-6624 (951) 699-1270 FAX 9516769482			DIM: mm[In] SCL: 2/1 SH: 2 OF 3

APPROVED:
Y. SEKIGUCHI

PROPRIETARY NOTICE: THIS DRAWING PRINT OR DOCUMENT AND SUBJECT MATTER DISCLOSED HEREIN ARE PROPRIETARY ITEMS TO WHICH TAMURA RETAINS THE EXCLUSIVE RIGHT OF DISSEMINATION, REPRODUCTION, MANUFACTURE AND SALE. THIS DRAWING, PRINT OR DOCUMENT IS SUBMITTED IN CONFIDENCE FOR CONSIDERATION BY THE RECIPIENT ALONE UNLESS PERMISSION FOR FURTHER DISCLOSURE IS EXPRESSLY GRANTED IN WRITING.

REV. Status

REVISION -
08/03/05 JU

REVISION A
SEE SHEET 1
01/26/06 JU

Electrical Specification	SYMBOL	L18P003 D15	L18P005 D15	L18P010 D15	L18P015 D15	L18P020 D15	L18P025 D15	L18P030 D15	L18P040 D15	L18P050 D15	L18P060 D15
Nominal Primary DC current	If	±3A	±5A	±10A	±15A	±20A	±25A	±30A	±40A	±50A	±60A
Maximum Current	If _{MAX}	±9A	±15A	±30A	±45A	±60A	±60A	±90A	±120A	±150A	±180A
Rated Output Voltage	V _{OUT}	±4V±0.040V									
Offset Voltage	V _{OE}	0±0.040V									
Output Linearity	E _L	≤ 1% MAX									
Power Supply	V _{CC}	±15V ±5%									
Current Consumption	I _C	≤ 15mA									
Response Time	T _r	≤ 5 μsec									
Output Temperature Characteristic	TCE _G	±0.1% / °C MAX									
Offset Temperature Coefficient	V _{OT}	≤ ±1.5mV / °C MAX									
Hysteresis Allowance	V _{OH}	≤ 25mV (+If ⇔ 0A) ≤ 40mV (+If ⇔ 0A)									
Withstand Voltage	V _d	AC3000V for 1 minute (sensing current 0.5mA) Pri ⇔ Sec									
Insulation Resistance	R _{IS}	≥ 500MΩ (at DC500V) Pri ⇔ Sec									
Operating Temperature	T _A	-10 ~ +80°C									
Storage Temperature	T _S	-20 ~ +85°C									

PREPARED BY:
K. BRENNAN

ENGINEER:
J. USACK

QUALITY CONTROL:
T. CLEM

APPROVED:
Y. SEKIGUCHI

DRAWING CONTROL NO.
P-A4-13577
ACAD\MXFMR\A4135773.DWG

REV
A

MODEL DESCRIPTION
CURRENT SENSOR
L18P***D15 SERIES

TAMURA CORPORATION OF AMERICA
43352 BUSINESS PARK DRIVE, TEMECULA, CA. 92590-6624
(951) 699-1270 FAX 9516769482

MODEL SPECIFICATION
L18P***D15

DIM: mm[In] SCL: NONE SH: 3 OF 3

PROPRIETARY NOTICE: THIS DRAWING PRINT OR DOCUMENT AND SUBJECT MATTER DISCLOSED HEREIN ARE PROPRIETARY ITEMS TO WHICH TAMURA RETAINS THE EXCLUSIVE RIGHT OF DISSEMINATION, REPRODUCTION, MANUFACTURE AND SALE. THIS DRAWING, PRINT OR DOCUMENT IS SUBMITTED IN CONFIDENCE FOR CONSIDERATION BY THE RECIPIENT ALONE UNLESS PERMISSION FOR FURTHER DISCLOSURE IS EXPRESSLY GRANTED IN WRITING.

MODEL NUMBER

L18P***D15