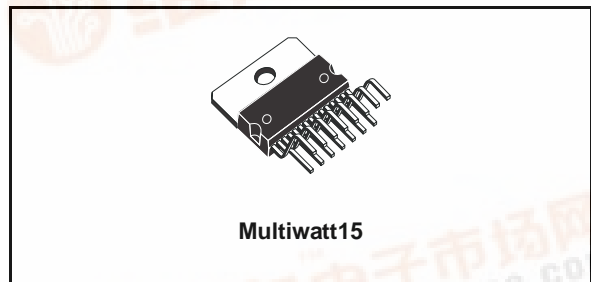




# L5950

## MULTIPLE MULTIFUNCTION VOLTAGE REGULATOR FOR CAR RADIO

- 5 REGULATORS  
10V (350mA); 8.5V (175mA); 5V (350mA); 5V (250mA); 8V/10V (1A)
- ALL REGULATORS ARE LOW DROPOUT OUPUTS
- 3 HIGH SIDE DRIVERS:  
2A (HSD1), 0.45A (HSD2 & HSD3)
- NO EXTERNAL CHARGE PUMP CAPACITORS ARE REQUIRED
- STAND BY MODE CONTROLLED BY 3 INPUT PINS:  
ENABLE FOR REG2 AND REG3,  
I<sup>2</sup>C BUS FOR REG1, REG4, REG5, HSD1, HSD2, HSD3
- INDIVIDUAL THERMAL SHUTDOWN
- INDEPENDENT CURRENT LIMITING
- SHORT CIRCUIT PROTECTION
- LOAD DUMP PROTECTION AND OVERVOLTAGE SHUTDOWN
- ESD PROTECTED



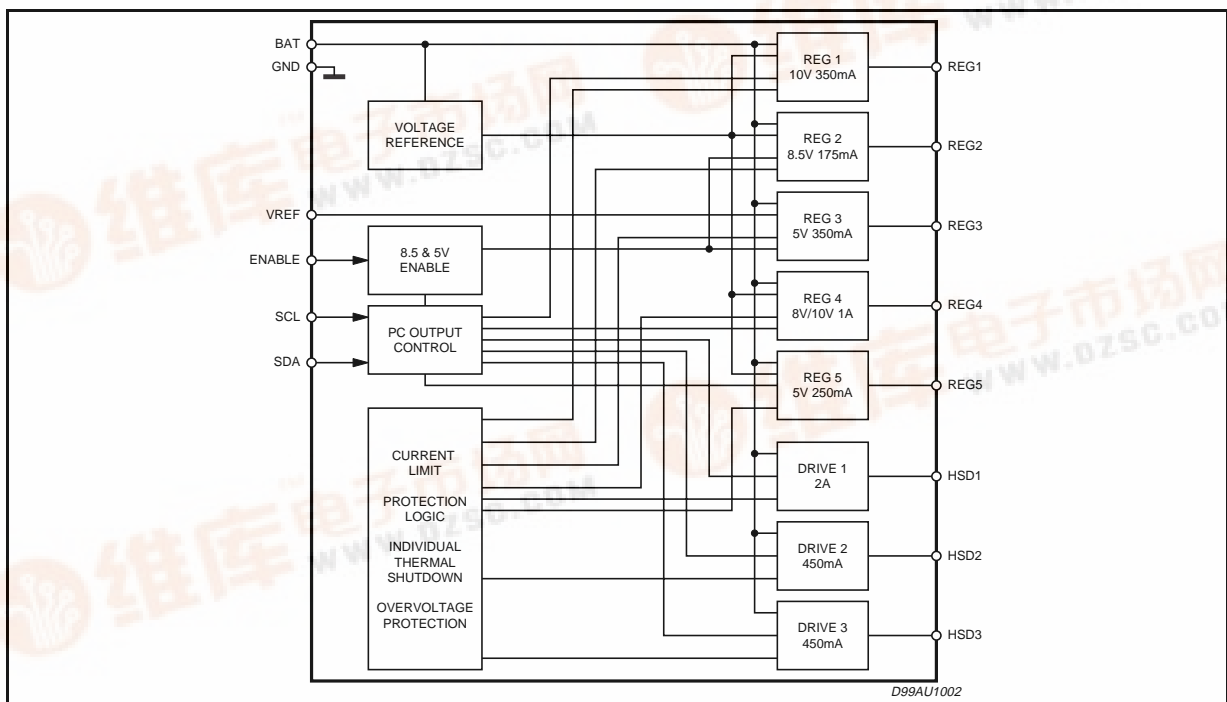
### DESCRIPTION

The ASPM (Audio System Power Module) is an integration of three high side drivers and five regulators developed to provide the power for an audio system.

The outputs of the IC are controlled via the I<sup>2</sup>C bus and the Enable input.

External protection must be provided for reverse battery protection.

### BLOCK DIAGRAM

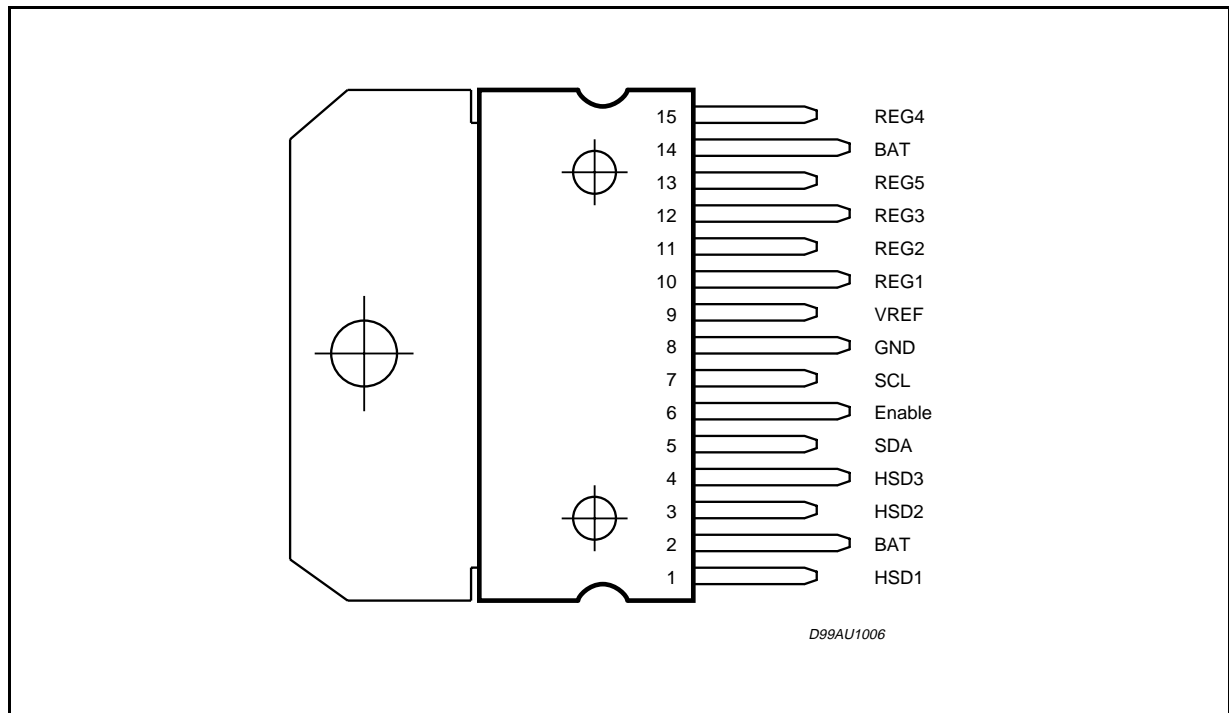


## L5950

### ABSOLUTE MAXIMUM RATINGS

Symbol	Parameter	Value	Unit
$V_S$	DC Operating Supply Voltage	-0.6 to 26.5	V
$V_S$	Transient Supply Overvoltages, rise time = 10ms delay time = 115ms	34	V
$V_{in}$	Input Voltages (EN, SDA, SCL)	-0.6 to 9	V
$V_{out}$	Output Control Voltage	-0.6 to 6.0	V
$T_{op}$	Operating Temperature Range	-40 to 85	°C
$T_{stg}$	Storage Temperature Range	-40 to 150	°C

### PIN CONNECTION



### THERMAL DATA

Symbol	Parameter	Value	Unit
$R_{th\ j-case}$	Thermal Resistance Junction-case	2	°C/W

**ELECTRICAL CHARACTERISTICS** (Refer to the application circuit,  $V_S = 14.4V$ ;  $T_{amb} = 25^\circ C$ ; unless otherwise specified.)

Symbol	Parameter	Test Condition	Min.	Typ.	Max.	Unit
$I_{q,ST-BY}$	Standby Quiescent Current	All Outputs Off, $V_{BAT} = 14V$			2	$\mu A$
$I_q$	Maximum Quiescent Current	$V_{BAT} = 14V$ , $I_{REG1} = 350mA$ , $I_{REG2} = 175mA$ , $I_{REG3} = 350mA$ , $I_{REG4} = 1A$ , $I_{REG5} = 250mA$ , $I_{HSD1} = 2A$ , $I_{HSD2,3} = 450mA$			150	$mA$
$I_{EN}$	Enable Input Current	$V_{BAT} = 14V$ , Enable $\geq 2V$ $V_{BAT} = 14V$ , Enable $\geq 0.8V$	-10		10	$\mu A$ $\mu A$
$V_{IL}, V_{IH}$	Enable Threshold Voltage	$V_{BAT} = 14V$ , $V_{IL}$ $V_{BAT} = 14V$ , $V_{IH}$	2		0.8	$V$ $V$
<b>10V/350mA REG 1 OUTPUT</b>						
$V_{REG1}$	Output Voltage	$I_{REG1} = 350mA$ $11V \leq V_{CC} \leq 16V$	9.50	10	10.5	$V$
$\Delta V_{line}$	Line Regulation	$11V \leq V_{CC} \leq 26V$ (Measure $\Delta V_{REG1}$ Across $V_{CC}$ Range)			55	$mV$
$\Delta V_{load}$	Load Regulation	$5mA \leq I_{REG1} \leq 350mA$			55	$mV$
$V_{DROPOUT}$	Dropout Voltage (Measure $V_{BAT} - V_{REG1}$ when $V_{REG1}$ drops 0.1V)	(Measure $V_{BAT} - V_{REG1}$ when $V_{REG1}$ drops 0.1V) $I_{REG1} = 350mA$ $I_{REG1} = 5mA$			900 300	$mV$ $mV$
$I_{lim1}$	Current Limit		0.51		1.1	$A$
SVR	Ripple Rejection	$f_o = 1kHz$ , $V_{BAT} = 14V$ with 1Vpp AC $I_{REG1} = 175mA$	50			$dB$
<b>8.5V/175mA REG 2 OUTPUT</b>						
$V_{REG2}$	Output Voltage	$I_{REG2} = 175mA$ $9.5V \leq V_{BAT} \leq 16V$	8.3	8.5	8.7	$V$
$\Delta V_{line}$	Line Regulation	$9.5V \leq V_{BAT} \leq 26V$ (Measure $\Delta V_{REG2}$ Across $V_{BAT}$ Range)			50	$mV$
$\Delta V_{load}$	Load Regulation	$5mA \leq I_{REG2} \leq 175mA$			50	$mV$
$V_{DROPOUT}$	Dropout Voltage	(Measure $V_{BAT} - V_{REG2}$ when $V_{REG2}$ drops 0.1V) $I_{REG2} = 175mA$ $I_{REG2} = 5mA$			900 300	$mV$ $mV$
$I_{lim2}$	Current Limit		280		525	$mA$
SVR	Ripple Rejection	$f_o = 1kHz$ , $V_{BAT} = 14V$ with 1Vpp AC $I_{REG2} = 100mA$	50			$dB$
<b>5V/350mA REG 3 OUTPUT</b>						
$V_{REG3}$	Voltage Offset from $V_{REF}$			10	40	$mV$
$\Delta V_{line}$	Line Regulation	$7V \leq V_{BAT} \leq 26V$ (Measure $\Delta V_{REG3}$ Across $V_{BAT}$ Range)			40	$mV$
$\Delta V_{load}$	Load Regulation	$5mA \leq I_{REG3} \leq 350mA$			100	$mV$

## ELECTRICAL CHARACTERISTICS (continued)

Symbol	Parameter	Test Condition	Min.	Typ.	Max.	Unit
V <sub>DROPOUT</sub>	Dropout Voltage (Measure V <sub>BAT</sub> - V <sub>REG3</sub> when V <sub>REG3</sub> drops 0.1V)	(Measure V <sub>BAT</sub> - V <sub>REG3</sub> when V <sub>REG3</sub> drops 0.1V) I <sub>REG3</sub> = 175mA I <sub>REG3</sub> = 5mA			950 600	mV mV
I <sub>lim3</sub>	Current Limit		0.5		1	A
SVR	Ripple Rejection	f <sub>o</sub> = 1kHz, V <sub>BAT</sub> = 14V with 1V <sub>pp</sub> AC I <sub>REG3</sub> = 175mA	50			dB
<b>8/10V/1A REG 4 OUTPUT</b>						
V <sub>REG4</sub>	Output Voltage	I <sub>REG4</sub> = 1A b5 = 0 b5 = 1	7.6 9.50	8 10	8.4 10.5	V V
ΔV <sub>line</sub>	Line Regulation	11V ≤ V <sub>BAT</sub> ≤ 26V, b5 = 1 (Measure ΔV <sub>REG2</sub> Across V <sub>BAT</sub> Range)			50	mV
ΔV <sub>load</sub>	Load Regulation	5mA ≤ I <sub>REG4</sub> ≤ 1A			150	mV
V <sub>DROPOUT</sub>	Dropout Voltage	(Measure V <sub>BAT</sub> - V <sub>REG2</sub> when V <sub>REG2</sub> drops 0.1V) I <sub>REG4</sub> = 1A I <sub>REG4</sub> = 5mA			950 600	mV mV
I <sub>lim4</sub>	Current Limit		1.3		2.4	A
SVR	Ripple Rejection	f <sub>o</sub> = 1kHz, V <sub>BAT</sub> = 14V with 1V <sub>pp</sub> AC I <sub>REG4</sub> = 500mA	50			dB
<b>5V/250mA REG 5 OUTPUT</b>						
V <sub>REG5</sub>	Output Voltage	I <sub>REG5</sub> = 250mA	4.75	5	5.25	V
ΔV <sub>line</sub>	Line Regulation	7V ≤ V <sub>BAT</sub> ≤ 26V (Measure ΔV <sub>REG5</sub> Across V <sub>BAT</sub> Range)			40	mV
ΔV <sub>load</sub>	Load Regulation	5mA ≤ I <sub>REG5</sub> ≤ 250mA			100	mV
V <sub>DROPOUT</sub>	Dropout Voltage	(Measure V <sub>BAT</sub> - V <sub>REG5</sub> when V <sub>REG5</sub> drops 0.1V) I <sub>REG5</sub> = 250A I <sub>REG5</sub> = 5mA			1.6 1.2	V V
I <sub>lim5</sub>	Current Limit		320		700	mA
SVR	Ripple Rejection	f <sub>o</sub> = 1kHz, V <sub>BAT</sub> = 14V with 1V <sub>pp</sub> AC I <sub>REG5</sub> = 125mA	50			dB
<b>2A HSD1</b>						
V <sub>sat</sub>	Output Saturation Voltage	I <sub>HSD1</sub> = 1A Continuous Time Operation			0.5	V
I <sub>leak1</sub>	Output Leakage Current	All Driver Outputs are Off	-50		50	μA
I <sub>lim</sub>	Current Limiting	R <sub>HSD1</sub> = 0.5Ω	2.4		4	A
<b>0.45A HSD2 &amp; HSD3</b>						
V <sub>sat</sub>	Output Saturation Voltage	I <sub>HSD2,3</sub> = 300mA Continuous Time Operation			0.6	V
I <sub>leak2,3</sub>	Output Leakage Current	All Driver Outputs are Off	-50		50	μA
I <sub>lim</sub>	Current Limiting	R <sub>HSD2,3</sub> = 0.5Ω	0.56		1	A

## ELECTRICAL CHARACTERISTICS (continued)

Symbol	Parameter	Test Condition	Min.	Typ.	Max.	Unit
<b>CHARACTERISTICS FOR I<sup>2</sup>C</b>						
V <sub>IL</sub>	LOW Level Input Voltage				1.5	V
V <sub>IH</sub>	HIGH Level Input Voltage		3			V
V <sub>HYS</sub>	Input Hysteresis		0.2			V
V <sub>OL1</sub>	LOW Level Output	Sink Current = 3mA			0.4	V
V <sub>OL2</sub>		Sink Current = 6mA			0.6	V
I <sub>I</sub>	Input Current	0.4V ≤ V <sub>I</sub> ≤ 0.9V <sub>DDmax</sub>	-10		10	μA
f <sub>SCL</sub>	SCL Clock Frequency				400	kHz

## FUNCTIONAL DESCRIPTION

The three high side drivers are a 2.0A output (HSD1), and two 450mA outputs (HSD2 & 3). The five regulator outputs are a 10V at 350mA (REG1), an 8.5V at 175mA (REG2), a 5V at 350mA (REG3), an 8V/10V at 1A (REG4), and 5V at 250mA (REG5). The regulators are low drop-out. The regulators will operate with output capacitors with ESR of 0.1Ω to 5Ω.

The 8.5V regulator output (REG2) is a tighter tolerance output than the other regulator outputs. The 8.5V output is a ±2.5% (5% total range) output over temperature. This is required on the regulator to improve performance and reduce cost on the 8.5V driven IC's in the radio. The tighter tolerance is possible by performing a trim of the bandgap reference to the 8.5V output. The other outputs are ±5% variation over temperature.

REG3 is referenced from the VREF input not the internal bandgap. This is done to minimize the voltage offset between individual 5V supplies.

The REG2 and REG3 outputs are turned on and off with the Enable input, a '1' turns the outputs on and a '0' turns them off. When Enable is "1", the other outputs can be independently controlled via the I<sup>2</sup>C bus. When a given regulator is turned off it must be guaranteed to be lower than 0.2V. The output voltage of REG4 is selected via bit 5 of the I<sup>2</sup>C data byte: 8V is the output voltage if bit5 = '0'

while 10V is the output voltage when bit5 = '1'. When all outputs are turned off the total current draw must be minimized. I<sup>2</sup>C will run at a clock speed range of 100kHz to 400kHz. This device should be capable of operating at any frequency within this range.

## Protection

The L5950 can survive under the following conditions: shorting the outputs to BAT and GND, loss of BAT, loss of IC GND, double battery(+26.5V), 4000V ESD, 34V load dump. L5950 will not handle a reverse battery condition. External components must be implemented for reverse battery protection.

**Thermal Shutdown:** REG1, REG2, REG3, REG4, REG5 outputs shutdown at 160°C and return to normal operation at 130°C. The HSD2 and HSD3 shutdown at 160°C and return to normal operation at 130°C. The HSD1 will go into thermal shutdown at 170°C and returns to operation at 120°C.

**Current Limiting:** each voltage regulator will contain its own current protection.

**Short Circuit:** If the outputs are short circuited, the IC will go into current limiting and eventually the thermal shutdown will kick in. Current limiting will not disable the outputs.

**Overvoltage:** The IC will not operate if the BAT voltage reaches 27V typ. or above.

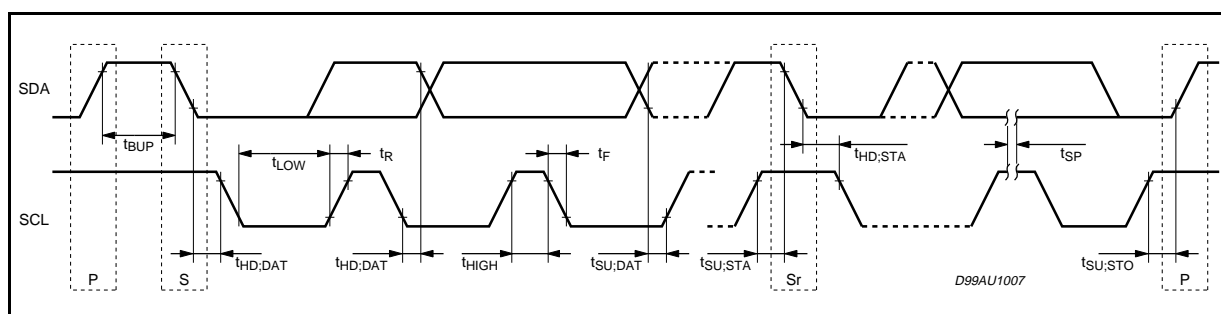
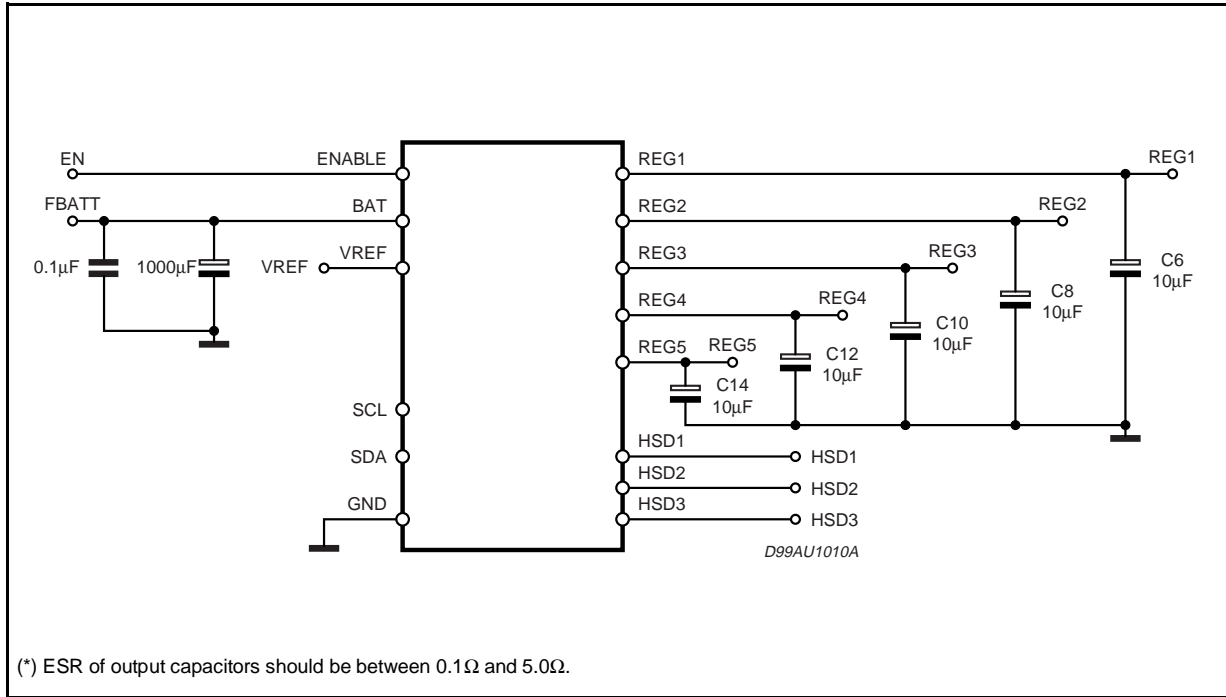
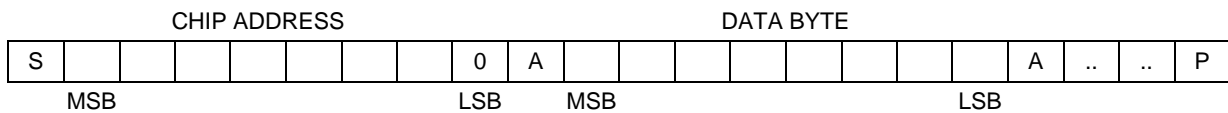
Figure 1. Definition of Timing on the I<sup>2</sup>C Bus.

Figure 2. Typical Application Circuit.



**WRITE MODE:**



S = START condition - SDA goes from high to low while SCL is high

A = Acknowledge - the device being written to, pulls down on data line (SDA) during the acknowledge clock pulse.

P = STOP condition - SDA goes from low to high while SCL is high.

**CHIP ADDRESS BYTE:**

CHIP ADDRESS							READ/WRITE
A7	A6	A5	A4	A3	A2	A1	A0
0	0	0	1	0	0	0	0

**DATA BYTE:**

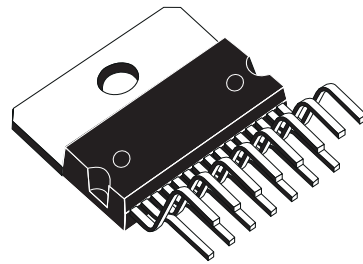
DATA BYTE							
REG1		R4 10V	REG4	REG5	HSD1	HSD2	HSD3
b7	b6	b5	b4	b3	b2	b1	b0
	X						

Default mode is 0000 0000 which corresponds to all outputs being off, low power mode.

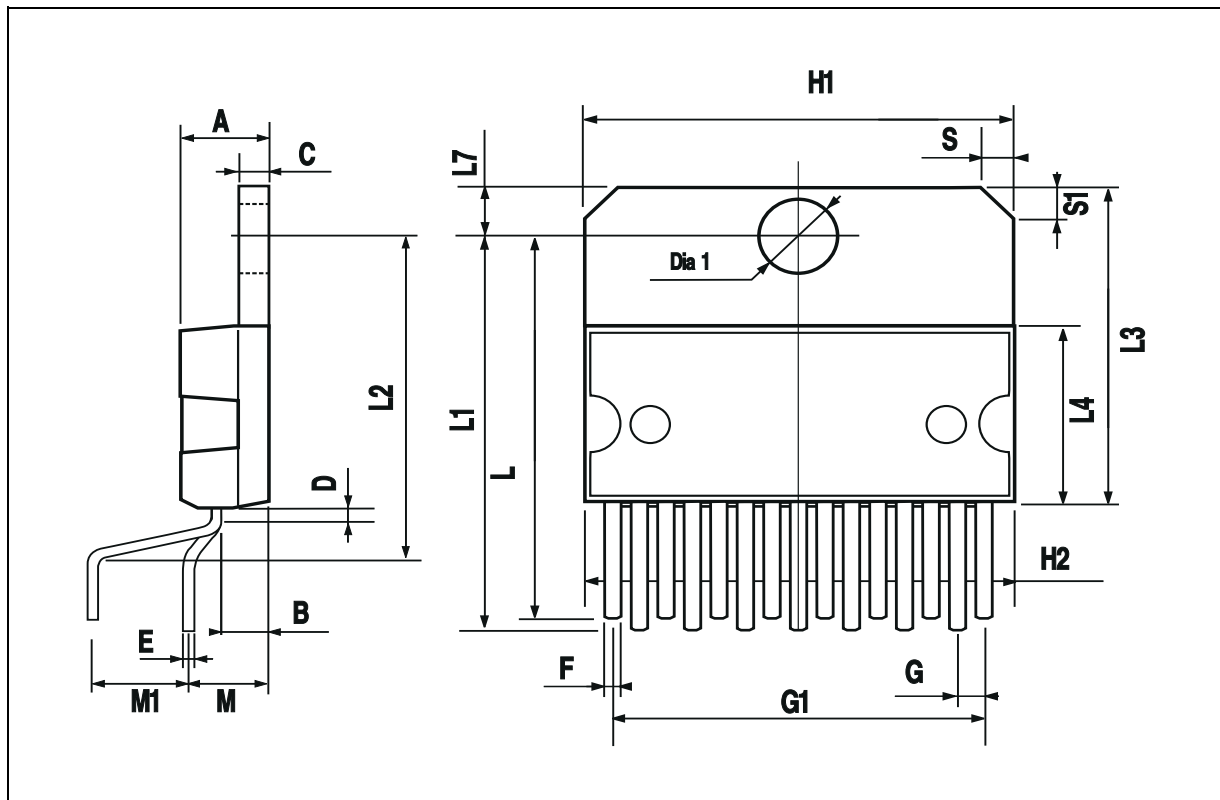
**Bit 5 Controls the output voltage of REG4. A '0' corresponds to 8V and a '1' corresponds to 10V.**

DIM.	mm			inch		
	MIN.	TYP.	MAX.	MIN.	TYP.	MAX.
A			5			0.197
B			2.65			0.104
C			1.6			0.063
D		1			0.039	
E	0.49		0.55	0.019		0.022
F	0.66		0.75	0.026		0.030
G	1.02	1.27	1.52	0.040	0.050	0.060
G1	17.53	17.78	18.03	0.690	0.700	0.710
H1	19.6			0.772		
H2			20.2			0.795
L	21.9	22.2	22.5	0.862	0.874	0.886
L1	21.7	22.1	22.5	0.854	0.870	0.886
L2	17.65		18.1	0.695		0.713
L3	17.25	17.5	17.75	0.679	0.689	0.699
L4	10.3	10.7	10.9	0.406	0.421	0.429
L7	2.65		2.9	0.104		0.114
M	4.25	4.55	4.85	0.167	0.179	0.191
M1	4.63	5.08	5.53	0.182	0.200	0.218
S	1.9		2.6	0.075		0.102
S1	1.9		2.6	0.075		0.102
Dia1	3.65		3.85	0.144		0.152

## OUTLINE AND MECHANICAL DATA



**Multiwatt15 V**



Information furnished is believed to be accurate and reliable. However, STMicroelectronics assumes no responsibility for the consequences of use of such information nor for any infringement of patents or other rights of third parties which may result from its use. No license is granted by implication or otherwise under any patent or patent rights of STMicroelectronics. Specification mentioned in this publication are subject to change without notice. This publication supersedes and replaces all information previously supplied. STMicroelectronics products are not authorized for use as critical components in life support devices or systems without express written approval of STMicroelectronics.

The ST logo is a registered trademark of STMicroelectronics

© 2001 STMicroelectronics – Printed in Italy – All Rights Reserved

STMicroelectronics GROUP OF COMPANIES

Australia - Brazil - China - Finland - France - Germany - Hong Kong - India - Italy - Japan - Malaysia - Malta - Morocco -  
Singapore - Spain - Sweden - Switzerland - United Kingdom - U.S.A.

<http://www.st.com>