

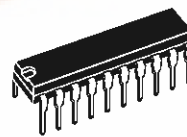


**L6376**

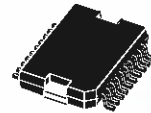
**0.5A HIGH-SIDE DRIVER  
QUAD INTELLIGENT POWER SWITCH**

- 0.5 A FOUR INDEPENDENT OUTPUTS
- 9.5 TO 35 V SUPPLY VOLTAGE RANGE
- INTERNAL CURRENT LIMIT
- NON-DISSIPATIVE OVER-CURRENT PROTECTION
- THERMAL SHUTDOWN
- UNDER VOLTAGE LOCKOUT WITH HYSTERESIS
- DIAGNOSTIC OUTPUT FOR UNDER VOLTAGE, OVER TEMPERATURE AND OVER CURRENT
- EXTERNAL ASYNCHRONOUS RESET INPUT
- PRESETTABLE DELAY FOR OVERCURRENT DIAGNOSTIC
- OPEN GROUND PROTECTION
- IMMUNITY AGAINST BURST TRANSIENT (IEC 801-4)
- ESD PROTECTION (HUMAN BODY MODEL ± 2KV)

**MULTIPOWER BCD TECHNOLOGY**



**POWERDIP  
16+2+2**



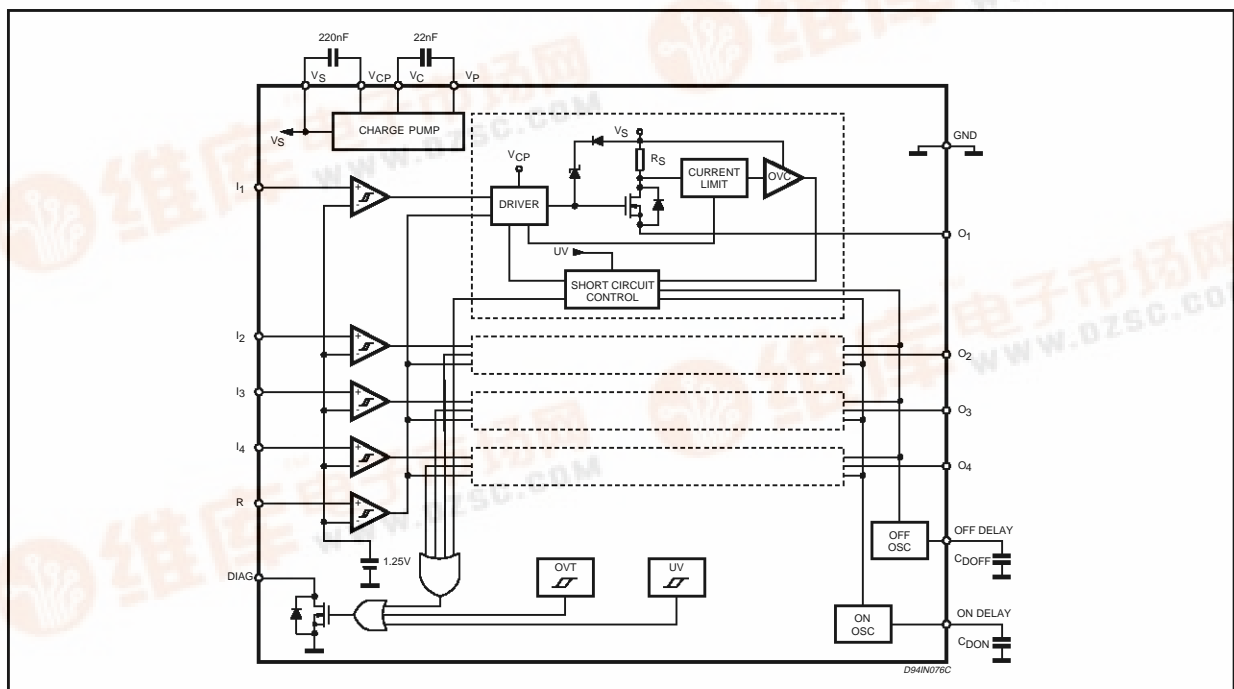
**PowerSO20**

**ORDERING NUMBERS:**L6376 (DIP)  
L6376PD (PSO)

**DESCRIPTION**

This device is a monolithic quad Intelligent Power Switch in Multipower BCD Technology, for driving inductive, capacitive or resistive loads. Diagnostic for CPU feedback and extensive use of electrical protections make this device inherently indestructible and suitable for general purpose industrial applications.

**BLOCK DIAGRAM**

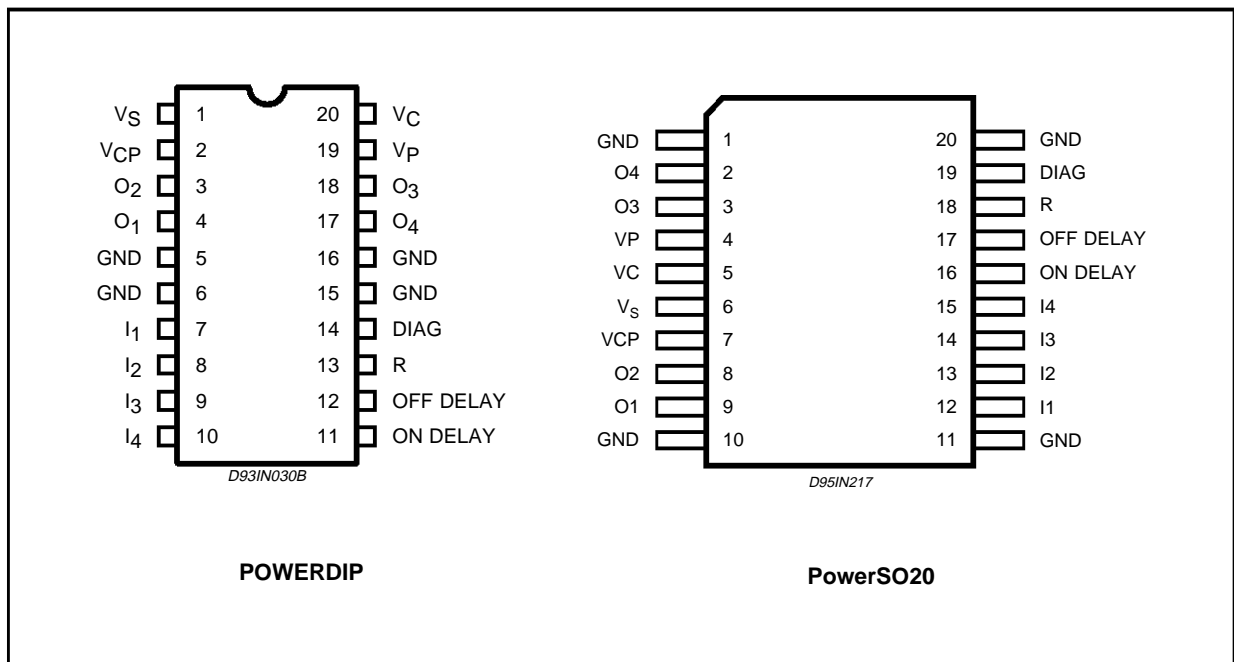


## L6376

### ABSOLUTE MAXIMUM RATINGS (Pin numbering referred to PowerSO20 package)

Symbol	Pin	Parameter	Value	Unit
$V_s$	6	Supply Voltage ( $t_w \leq 10\text{ms}$ )	50	V
		Supply Voltage (DC)	40	V
$V_s - V_{out}$		Difference between supply voltage and output voltage	internally limited	
$V_{id}$	16, 17	Externally Forced Voltage	-0.3 to 7	V
$I_{id}$		Externally Forced Current	$\pm 1$	mA
$I_i$	12, 13, 14, 15, 18	Channel Input Current (forced)	$\pm 2$	mA
$V_i$		Channel Input Voltage	-0.3 to 40	V
$I_{out}$	2, 3, 8, 9	Output Current (see also $I_{sc}$ )	internally limited	
$V_{out}$		Output Voltage	internally limited	
$E_{il}$		Energy Inductive Load ( $T_j = 125^\circ\text{C}$ ); Each Channel	200	mJ
$P_{tot}$		Power Dissipation	internally limited	
$V_{diag}$	19	External voltage	-0.3 to $V_s + 0.7$	V
$I_{diag}$		Externally forced current	-10 to 10	mA
$T_{op}$		Ambient temperature, operating range	-25 to 85	$^\circ\text{C}$
$T_j$		Junction temperature, operating range (see Overtemperature Protection)	-25 to 125	$^\circ\text{C}$
$T_{stg}$		Storage temperature	-55 to 150	$^\circ\text{C}$

### PIN CONNECTIONS (Top view)



**PIN DESCRIPTION** (Pin numbering referred to PowerSO20 package).

No	Pins	Function
6	V <sub>S</sub>	Positive supply voltage. An internal circuit, monitoring the supply voltage, maintains the IC in off-state until V <sub>S</sub> reaches 9V or when V <sub>S</sub> falls under 8.5V. The diagnostic is available since V <sub>S</sub> = 5V.
7	V <sub>CP</sub>	Switch driver supply. To minimize the output drop voltage, a supply of about 10V higher than V <sub>S</sub> is required. In order to use the built-in charge pump, connect a filter capacitor from pin1 to pin. The suggested value assures a fast transition and a low supply ripple even in worse condition. Using the four channels contemporarily, values less than 68nF have to be avoided.
2, 3, 8, 9	O <sub>1</sub> , O <sub>2</sub> , O <sub>3</sub> , O <sub>4</sub>	High side outputs. Four independently controlled outputs with built-in current limitation.
1, 10, 11, 20	GND	Ground and power dissipating pins. These pins are connected to the bulk ground of the IC, so are useful for heat dissipation.
12,13, 14, 15	I <sub>1</sub> , I <sub>2</sub> , I <sub>3</sub> , I <sub>4</sub>	Control inputs. Four independent control signals. The output is held off until the voltage at the corresponding input pin reaches 1.35V and is turned off when the voltage at the pin goes below 1.15V.
16	ON DELAY	Programmable ON duration in short circuit. If an output is short circuited to ground or carrying a current exceeding the limit, the output is turned-off and the diagnostic activation are delayed. This procedure allows the driving of hard surge current loads. The delay is programmed connecting a capacitor (50pF to 15nF) versus ground with the internal time constant of 1.28μs/pF. The function can be disabled short circuiting this pin to ground.
17	OFF DELAY	Programmable OFF duration in short circuit. After the short circuit or overcurrent detection, the switch is held off before the next attempt to switch on again. The delay is programmed connecting a capacitor (50pF to 15nF) versus ground with the internal time constant of 1.28μs/pF. Short circuiting this pin to ground the OFF delay is 64 times the ON delay.
18	R	Asynchronous reset input. This active low input (with hysteresis), switch off all the outputs independently from the input signal. By default it is biased low.
19	DIAG	Diagnostic output. This open drain output reports the IC working condition. The bad condition (as undervoltage, overcurrent, overtemperature) turns the output low.
5	V <sub>C</sub>	Pump oscillator voltage. At this pin is available the built-in circuitry to supply the switch driver at about 10V higher than V <sub>S</sub> . To use this feature, connect a capacitor across pin 4 and pin 5. The suggested value assures a fast transition and a minimum output drop voltage even in worse condition. Using the four channels contemporarily, values less than 6.8nF have to be avoided.
4	V <sub>P</sub>	Bootstrapped voltage. At this pin is available the 11V oscillation for the charge pump, at a typical frequency of 200kHz.

## L6376

**ELECTRICAL CHARACTERISTICS** ( $V_s = 24V$ ;  $T_j = -25$  to  $125^\circ C$ ; unless otherwise specified.)

**DC OPERATION** (Pin numbering referred to PowerSO20 package).

Symbol	Pin	Parameter	Test Condition	Min.	Typ.	Max.	Unit
$V_s$	6	Supply Voltage		9.5	24	35	V
$V_{sth}$		UV UpperThreshold		8.5	9	9.5	V
$V_{shys}$		UV Hysteresis		200	500	800	mV
$I_{qsc}$		Quiescent Current	Outputs ON, No load		3	5	mA
$V_{il}$	12,13,	Input Low Level		0		0.8	V
$V_{ih}$		Input High Level		2		40	V
$I_{bias}$	14,15, 18	Input Bias Current	$V_i = 0V$	-5	-1	0	$\mu A$
			$V_i = 40V$	0	5	20	$\mu A$
$V_{ihys}$		Input Comparators Hysteresis		100	200	400	mV
$\Theta_{lim}$		OVT Upper Threshold			150		$^\circ C$
$\Theta_H$		Threshold Hysteresis			20	30	$^\circ C$
$I_{sc}$	2, 3, 8, 9	Short Circuit Current	$V_s=9.5$ to $35V$ ; $R_i = 2\Omega$	0.65	0.9	1.2	A
		Output Voltage Drop	$I_{out} = 500mA$ ; $T_j = 25^\circ C$		320	500	mV
			$I_{out} = 500mA$ ; $T_j = 125^\circ C$		460	640	mV
$I_{olk}$		Output Leakage Current	$V_o = 0V$ ; $V_i < 0.8V$			100	$\mu A$
$V_{cl}$		Internal Voltage Clamp ( $V_s - V_o$ each Output)	$I_o = 100mA$ single pulsed $T_p = 300\mu s$	47	52	57	V
$V_{ol}$		Low State Output Voltage	$V_i = V_{ih}$ ; $R_L = \infty$		0.8	1.5	V
$I_{dlkg}$	19	Diagnostic Output Leakage	Diagnostic Off			25	$\mu A$
$V_{diag}$		Diagnostic Output Voltage Drop	$I_{diag} = 5mA$			1.5	V
$I_{dch}$	16, 17	Delay Capacitors Charge Current			40		$\mu A$

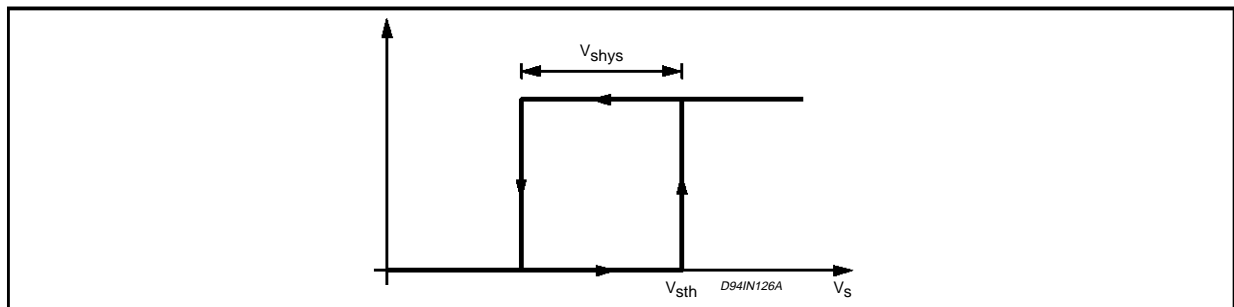
**AC OPERATION** (Pin numbering referred to PowerSO20 package).

Symbol	Pin	Parameter	Test Condition	Min.	Typ.	Max.	Unit
$t_r$ - $t_f$	2, 3, 8, 9	Rise or Fall Time	$V_s = 24V$ ; $R_i = 47\Omega$ $R_i$ to ground		3.8		$\mu s$
$t_d$	12 vs 9 13 vs 8 14 vs 3 15 vs 2	Delay Time			1		$\mu s$
$dV/dt$	2, 3, 8, 9	Slew Rate (Rise and Fall Edge)	$V_s = 24V$ ; $R_i = 47\Omega$ $R_i$ to ground	RISE 3 FALL 4	5 7.6	7 10	$V/\mu s$
$t_{ON}$	16	On Time during Short Circuit Condition	$50 pF < C_{DON} < 15nF$		1.28		$\mu s/pF$
$t_{OFF}$	17	Off Time during Short Circuit Condition	pin 13 grounded		64		$t_{ON}$
			$50pF < C_{DOFF} < 15nF$		1.28		$\mu s/pF$
$f_{max}$		Maximum Operating Frequency			25		kHz

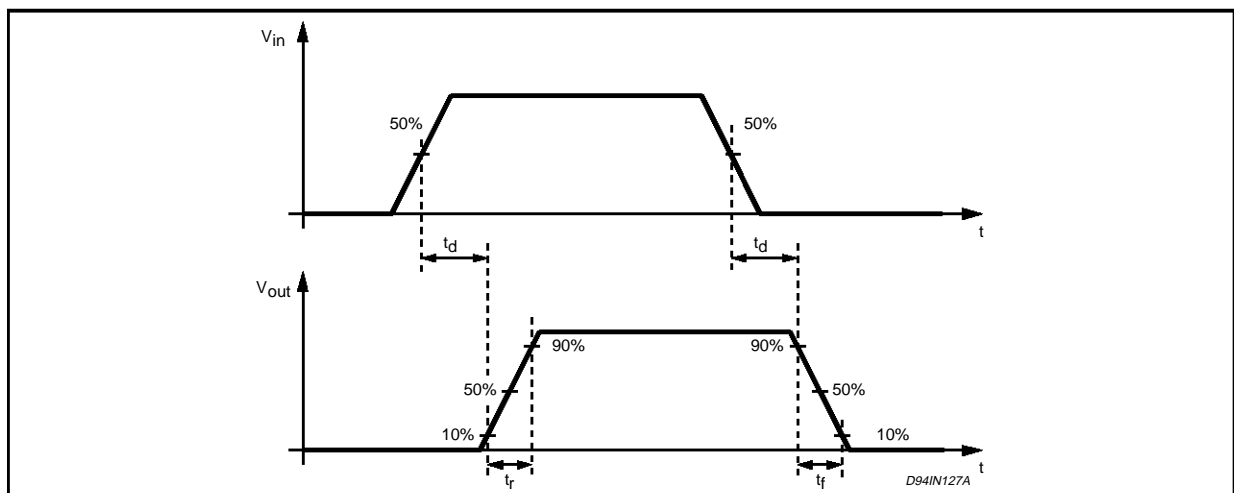
**SOURCE DRAIN NDMOS DIODE**

Symbol	Parameter	Test Condition	Min.	Typ.	Max.	Unit
$V_{fSD}$	Forward On Voltage	$I_{fSD} = 500mA$		1	1.5	V
$I_{fP}$	Forward Peak Current	$t_p = 10ms$ ; duty cycle = 20%			1.5	A
$t_{rr}$	Reverse Recovery Time	$I_{fSD} = 500mA$ ; $dI_{fSD}/dt = 25A/\mu s$		200		ns
$t_{fr}$	Forward Recovery Time			50		ns

**UNDERVOLTAGE COMPARATOR HYSTERESIS**



**SWITCHING WAVEFORMS**



**THERMAL DATA**

Symbol	Parameter	DIP16+2+2	PowerSO20	Unit
$R_{th\ j-pin}$	Thermal Resistance, Junction to Pin	12	–	°C/W
$R_{th\ j-amb1}$	Thermal Resistance, Junction to Ambient (see Thermal Characteristics)	40	–	°C/W
$R_{th\ j-amb2}$	Thermal Resistance, Junction to Ambient (see Thermal Characteristics)	50	–	°C/W
$R_{th\ j-case}$	Thermal Resistance Junction-case	–	1.5	°C/W

**THERMAL CHARACTERISTICS**

$R_{th\ j-pins}$

**DIP16+2+2.** The thermal resistance is referred to the thermal path from the dissipating region on the top surface of the silicon chip, to the points along the four central pins of the package, at a distance of 1.5 mm away from the stand-offs.

$R_{th\ j-amb1}$

If a dissipating surface, thick at least 35  $\mu\text{m}$ , and with a surface similar or bigger than the one shown, is created making use of the printed circuit. Such heatsinking surface is considered on the bottom side of an horizontal PCB (worst case).

$R_{th\ j-amb2}$

If the power dissipating pins (the four central ones), as well as the others, have a mini-

mum thermal connection with the external world (very thin strips only) so that the dissipation takes place through still air and through the PCB itself.

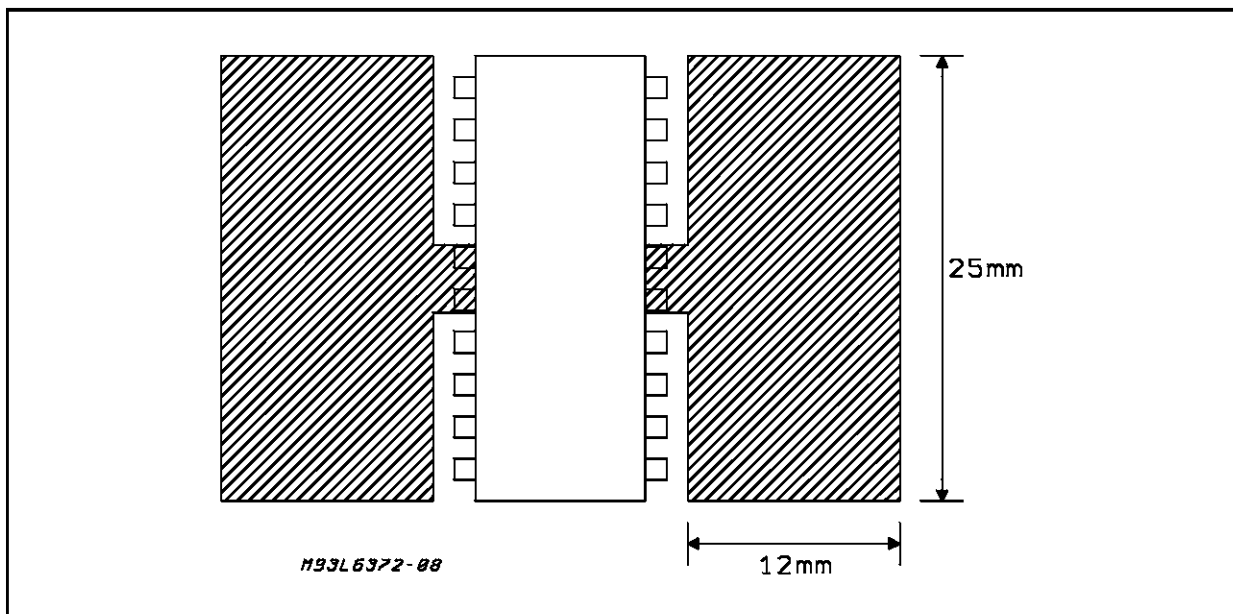
It is the same situation of point above, without any heatsinking surface created on purpose on the board.

Additional data on the PowerDip and the PowerSO20 package can be found in:

Application Note AN467:  
Thermal Characteristics of the PowerDip 20,24 Packages Soldered on 1,2,3 oz. Copper PCB

Application Note AN668:  
A New High Power IC Surface Mount Package: PowerSO20 Power IC Packaging from Insertion to Surface Mounting.

**Figure 1:** Printed Heatsink



### OVERTEMPERATURE PROTECTION (OVT)

If the chip temperature exceeds  $\Theta_{lim}$  (measured in a central position in the chip) the chip deactivates itself.

The following actions are taken:

- all the output stages are switched off;
- the signal DIAG is activated (active low).

Normal operation is resumed as soon as (typically after some seconds) the chip temperature monitored goes back below  $\Theta_{lim}-\Theta_H$ .

The different thresholds with hysteretic behavior assure that no intermittent conditions can be generated.

### UNDERVOLTAGE PROTECTION (UV)

The supply voltage is expected to range from 9.5V to 35V, even if its reference value is considered to be 24V.

In this range the device operates correctly.

Below 9.5V the overall system has to be considered not reliable.

Consequently the supply voltage is monitored continuously and a signal, called UV, is internally generated and used.

The signal is "on" as long as the supply voltage does not reach the upper internal threshold of the  $V_s$  comparator  $V_{sth}$ . The UV signal disappears above  $V_{sth}$ .

Once the UV signal has been removed, the supply voltage must decrease below the lower threshold (i.e.  $V_{sth}-V_{shys}$ ) before it is turned on again.

The hysteresis  $V_{shys}$  is provided to prevent intermittent operation of the device at low supply voltages that may have a superimposed ripple around the average value.

The UV signal switches off the outputs, but has no effect on the creation of the reference voltages for the internal comparators, nor on the continuous operation of the charge-pump circuits.

### DIAGNOSTIC LOGIC

The situations that are monitored and signalled with the DIAG output pin are:

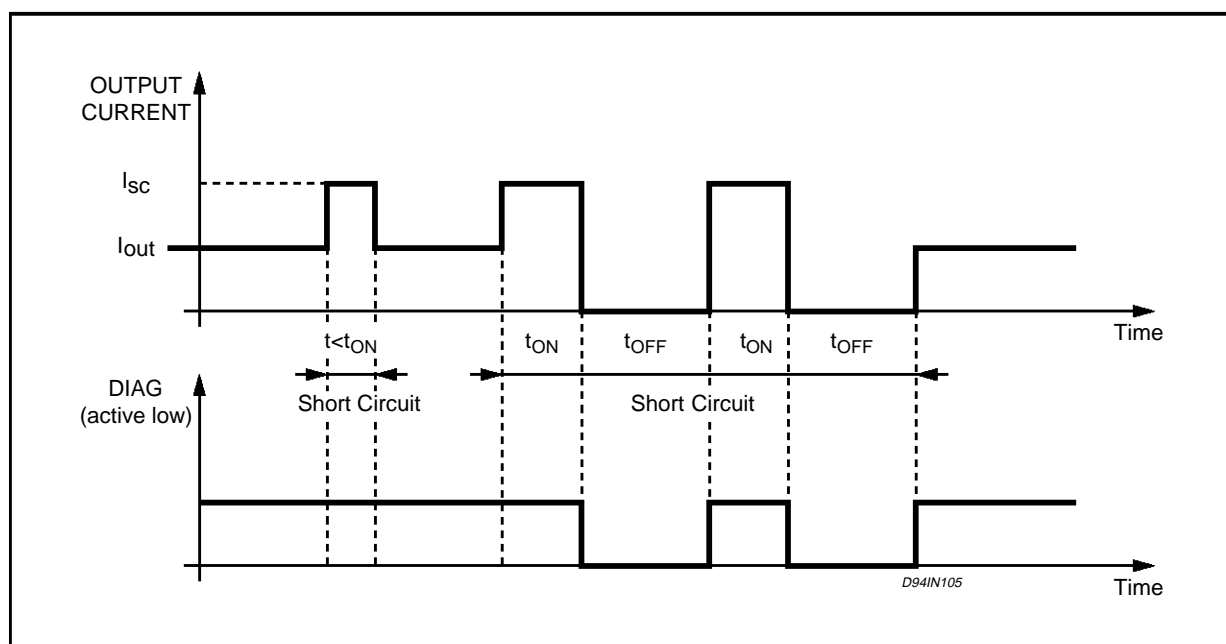
- current limit (OVC) in action; there are 4 individual current limiting circuits, one per each output; they limit the current that can be sunk from each output, to a typical value of 800mA, equal for all of them;
- under voltage (UV);
- over temperature protection (OVT).

The diagnostic signal is transmitted via an open drain output (for ease of wired-or connection of several such signals) and a low level represents the presence of at least one of the monitored conditions, mentioned above.

### SHORT CIRCUIT OPERATION

In order to allow normal operation of the other inputs when one channel is in short circuit, an innovative non dissipative over current protection (patent pending) is implemented in the device.

Figure 2: Short Circuit Operation Waveforms



In this way, the temperature of the device is kept enough low to prevent the intervention of the thermal protection (in most of the cases) and so to avoid the shut down of the whole device.

If a short circuit condition is present on one output, the current limiting circuit puts that channel in linear mode — sourcing the  $I_{SC}$  current (typically 800 mA) — for a time period ( $t_{ON}$ ) defined by an external capacitor ( $C_{DON}$  connected to the ON DELAY pin).

After that period, if the short circuit condition is still present the output is turned off for another time period ( $t_{OFF}$ ) defined by a second external capacitor ( $C_{DOFF}$  connected to the OFF DELAY pin).

When also this period is expired:

- if the short circuit condition is still present the output stays on for the  $t_{ON}$  period and the sequence starts again;
- if the short circuit condition is not present anymore the normal operation of the output is resumed.

The  $t_{ON}$  and  $t_{OFF}$  periods are completely independent and can be set from 64  $\mu s$  to 15 ms, using external capacitors ranging from 50 pF to 15 nF (1.28  $\mu s/pF$ ).

If the OFF DELAY pin is tied to ground (i.e. the  $C_{DOFF}$  capacitor is not used) the  $t_{OFF}$  time period is 64 times the  $t_{ON}$  period.

The diagnostic output (DIAG) is active when the output is switched off, while it is not active when the output is on (i.e. during the  $t_{ON}$  period) even if in that period a short circuit condition is present.

Typical waveforms for short circuit operation are shown in figure 2.

If both the ON DELAY and the OFF DELAY pins are grounded the non dissipative over current protection is inhibited and the outputs in short circuit remain on until the thermal shutdown switch off the whole device. In this case the short circuit condition is not signalled by the DIAG pin (that continues to signal the under voltage and over temperature conditions).

**PROGRAMMABLE DIAGNOSTIC DELAY**

The current limiting circuits can be requested to perform even in absence of a real fault condition, for a short period, if the load is of capacitive nature or if it is a filament lamp (that exhibits a very low resistance during the initial heating phase).

To avoid the forwarding of misleading — i.e. short diagnostic pulses in coincidence with the intervention of the current limiting circuits when operating on capacitive loads — the activation of the diagnostic can be delayed with respect to the intervention of one of the current limiting circuits.

This delay can be defined by an external capacitor ( $C_{DON}$ ) connected between the ON DELAY pin and ground.

**RESET INPUT**

An external reset input R (pin 18) is provided to simultaneously switch off all the outputs: this signal (active low) is in effect an asynchronous reset that keeps the outputs low independently from the input signals.

For example, this reset input can be used by the CPU to keep the outputs low after a fault condition (signaled by the DIAG pin).

**DEMAGNETIZATION OF INDUCTIVE LOADS**

The device has four internal clamping diodes able to demagnetize inductive loads.

The limitation is the peak power dissipation of the packages, so — if the loads are big or if there is the possibility to demagnetize more loads contemporarily — it is necessary to use external demagnetization circuits.

In figures 4 and 5 are shown two topologies for the demagnetization versus ground and versus  $V_S$ .

The breakdown voltage of the external device ( $V_Z$ ) must be chosen considering the minimum internal clamping voltage ( $V_{cl}$ ) and the maximum supply voltage ( $V_S$ ).

**Figure 3:** Input Comparator Hysteresis

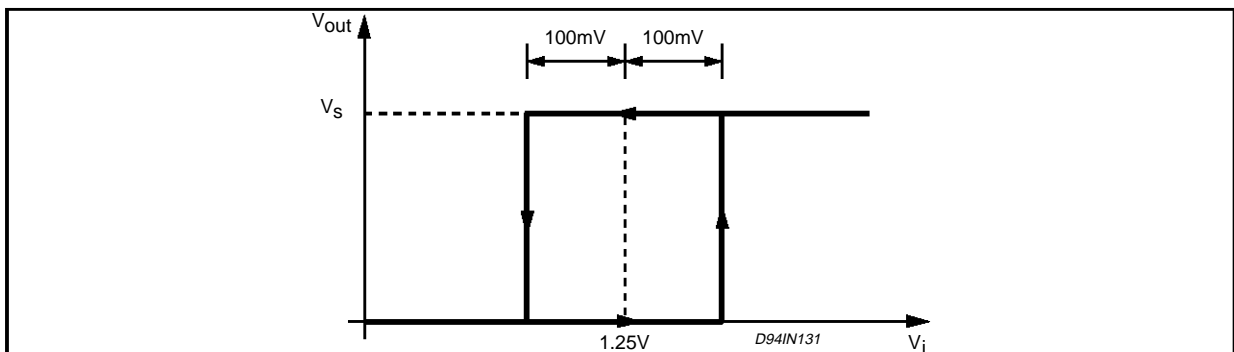




Figure 4: External Demagnetization Circuit (versus ground)

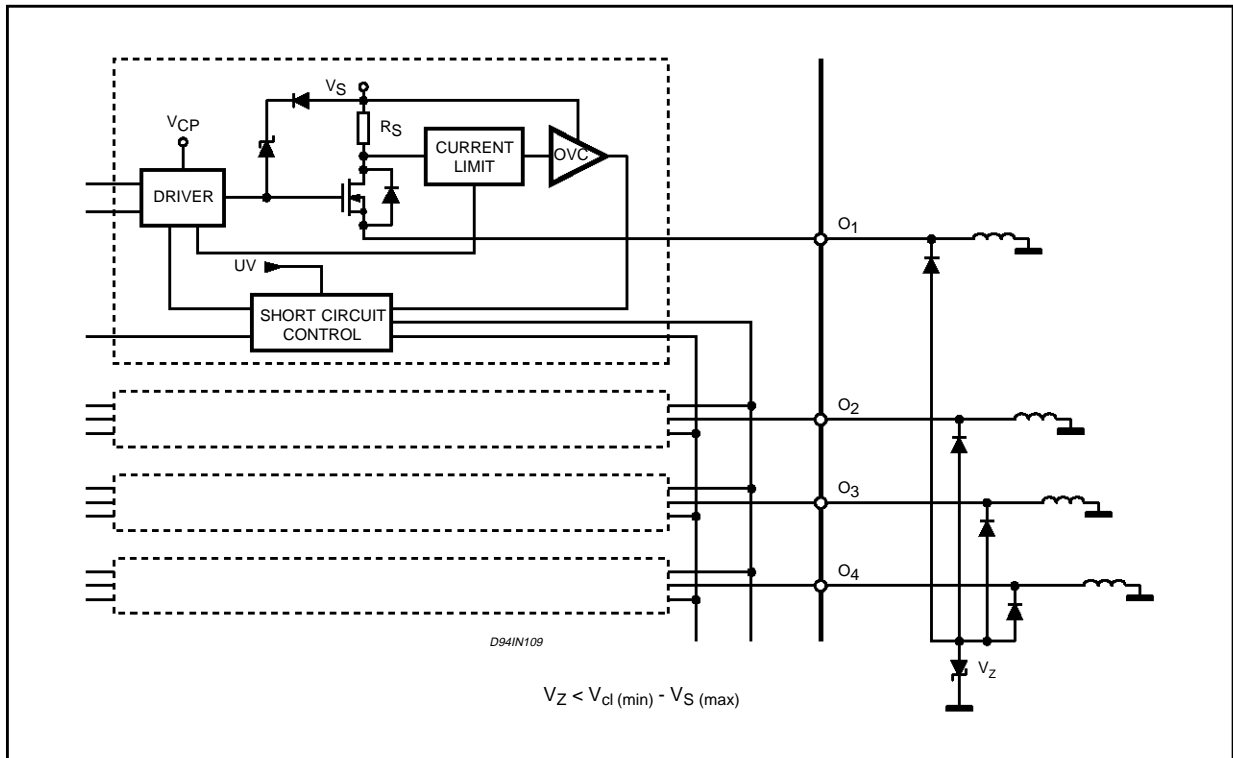
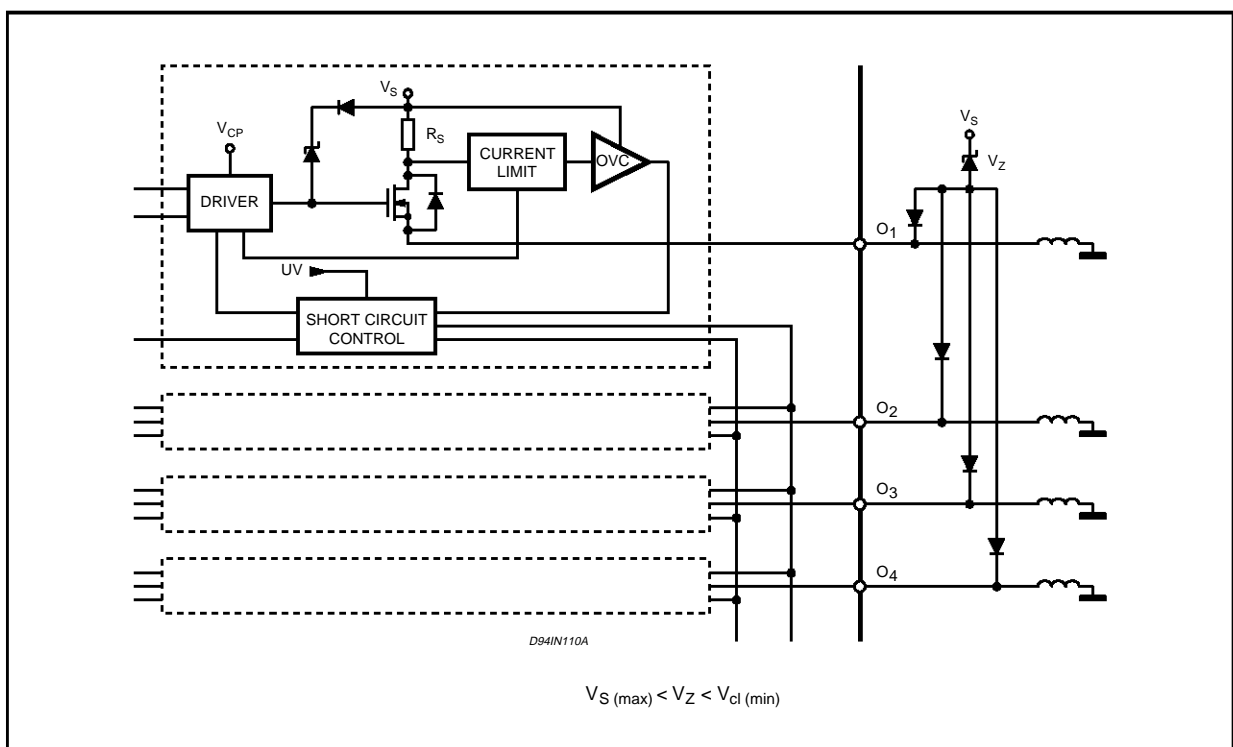
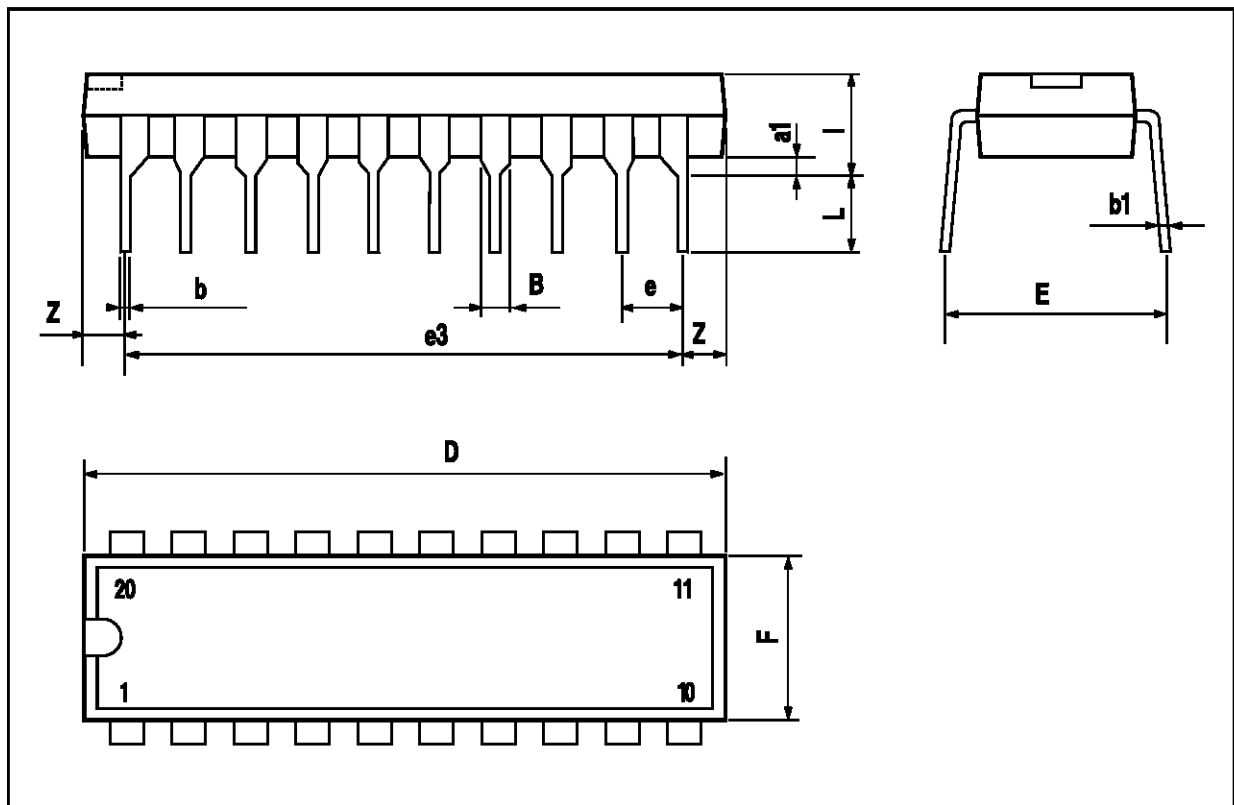


Figure 5: External Demagnetization Circuit (versus Vs)



POWERDIP 20 PACKAGE MECHANICAL DATA

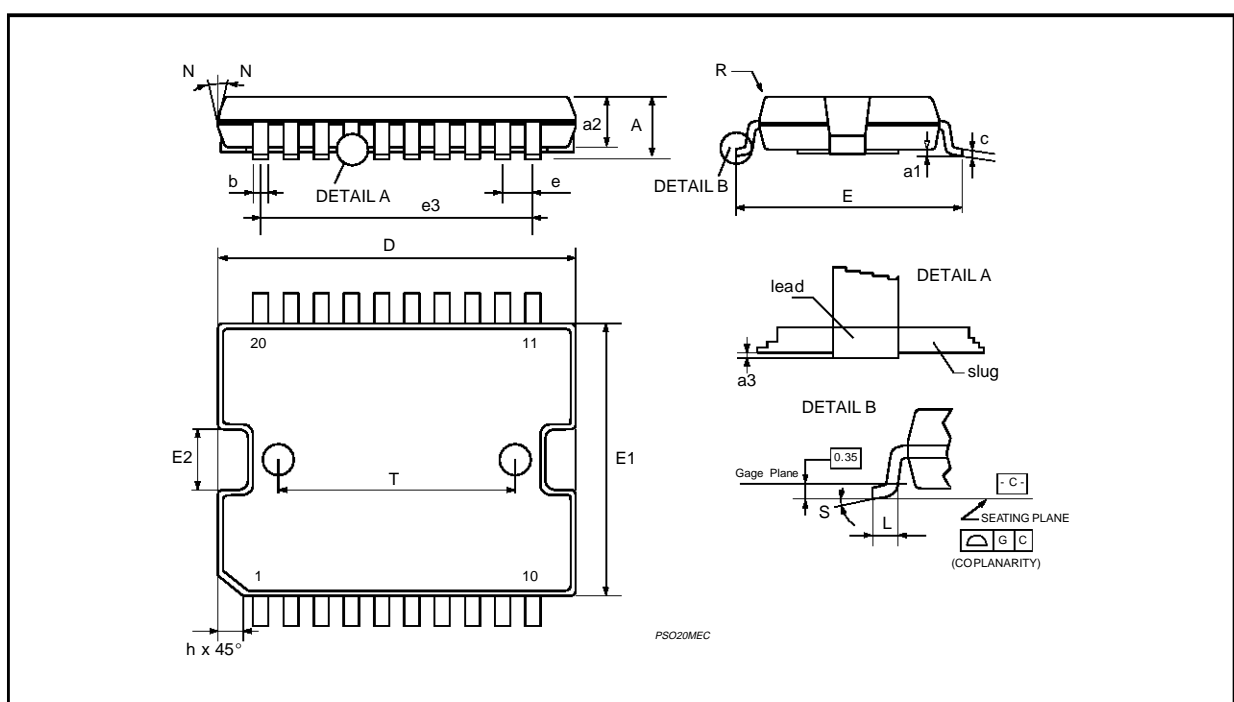
DIM.	mm			inch		
	MIN.	TYP.	MAX.	MIN.	TYP.	MAX.
a1	0.51			0.020		
B	0.85		1.40	0.033		0.055
b		0.50			0.020	
b1	0.38		0.50	0.015		0.020
D			24.80			0.976
E		8.80			0.346	
e		2.54			0.100	
e3		22.86			0.900	
F			7.10			0.280
l			5.10			0.201



**PowerSO20 PACKAGE MECHANICAL DATA**

DIM.	mm			inch		
	MIN.	TYP.	MAX.	MIN.	TYP.	MAX.
A			3.60			0.1417
a1	0.10		0.30	0.0039		0.0118
a2			3.30			0.1299
a3	0		0.10	0		0.0039
b	0.40		0.53	0.0157		0.0209
c	0.23		0.32	0.009		0.0126
D (1)	15.80		16.00	0.6220		0.6299
E	13.90		14.50	0.5472		0.570
e		1.27			0.050	
e3		11.43			0.450	
E1 (1)	10.90		11.10	0.4291		0.437
E2			2.90			0.1141
G	0		0.10	0		0.0039
h			1.10			
L	0.80		1.10	0.0314		0.0433
N	10° (max.)					
S	8° (max.)					
T		10.0			0.3937	

(1) "D and E1" do not include mold flash or protrusions  
 - Mold flash or protrusions shall not exceed 0.15mm (0.006")



Information furnished is believed to be accurate and reliable. However, SGS-THOMSON Microelectronics assumes no responsibility for the consequences of use of such information nor for any infringement of patents or other rights of third parties which may result from its use. No license is granted by implication or otherwise under any patent or patent rights of SGS-THOMSON Microelectronics. Specification mentioned in this publication are subject to change without notice. This publication supersedes and replaces all information previously supplied. SGS-THOMSON Microelectronics products are not authorized for use as critical components in life support devices or systems without express written approval of SGS-THOMSON Microelectronics.

© 1996 SGS-THOMSON Microelectronics – Printed in Italy – All Rights Reserved

SGS-THOMSON Microelectronics GROUP OF COMPANIES

Australia - Brazil - Canada - China - France - Germany - Hong Kong - Italy - Japan - Korea - Malaysia - Malta - Morocco - The Netherlands - Singapore - Spain - Sweden - Switzerland - Taiwan - Thailand - United Kingdom - U.S.A.