

UTC LA2284 LINEAR INTEGRATED CIRCUIT

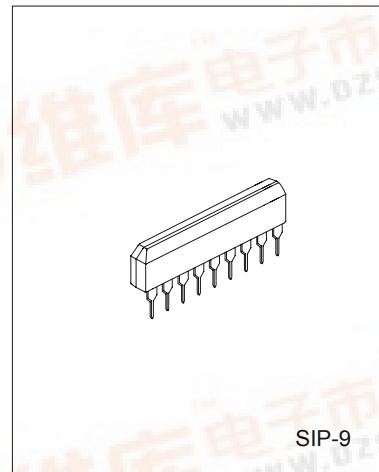
5-DOT DUAL LED LEVEL METER DRIVER

DESCRIPTION

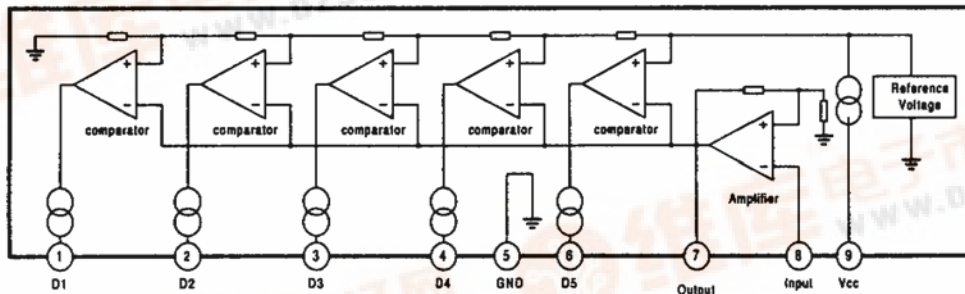
The UTC LA2284 is a monolithic integrated circuit designed for 5-dot LED level meter drivers with a built-in rectifying amplifier. It is suitable for AC/DC level meters such as VU meters or signal meters.

FEATURE

- *High gain rectifying amplifier included ($G_v=26\text{dB}$)
- *Low radiation noise when LED turns on
- *Logarithmic indicator for 5-dot LED of bar type
- *Constant current output(15mA)
- *Wide operating supply voltage(3.5V ~ 16V)
- *Not necessary diode or transistor for ALC
- *Minimum number of external parts required



BLOCK DIAGRAM



ABSOLUTE MAXIMUM RATINGS($T_a=25^\circ\text{C}$)

PARAMETER	SYMBOL	VALUE	UNIT
Supply Voltage	Vcc	18	V
Amplifier input Voltage	V8	-0.5 ~ Vcc	V
Pin 7 Voltage	V7	6	V
D terminal Output Voltage	VD	18	V
Operating Temperature	Topr	-20 to +80	$^\circ\text{C}$
Storage Temperature	Tstg	-40 to 125	$^\circ\text{C}$
Power dissipation	PD	1100	W

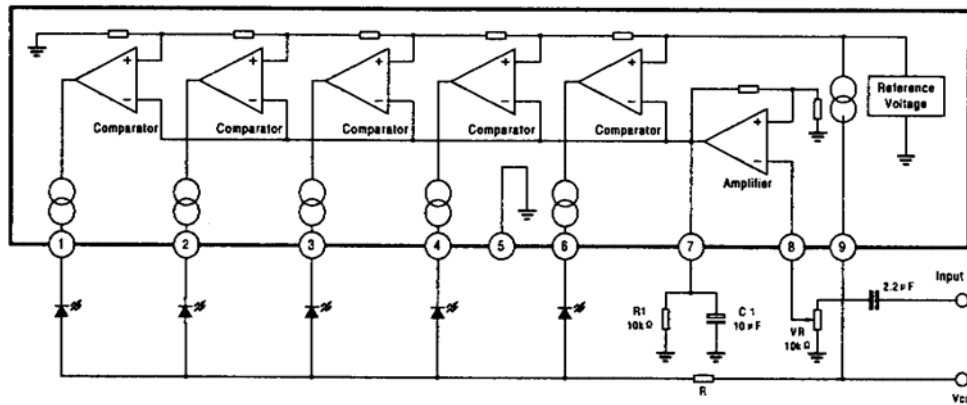


UTCLA2284 LINEAR INTEGRATED CIRCUIT

ELECTRICAL CHARACTERISTICS ($T_a=25^\circ\text{C}$, $V_{cc}=6\text{V}$, $f=1\text{kHz}$, unless otherwise specified)

PARAMETER	SYMBOL	TEST CONDITIONS	MIN.	TYP.	MAX.	UNIT
Supply Voltage	V_{cc}		3.5	6.0	16.0	V
Supply Current	I_{cc}	$V_{IN}=0$		5	8	mA
Sensitivity	V_{in}	In Vc3 Level	46	56	66	mV
Comparator ON Level 1	V_{c1}		-11.5	-10.0	-8.5	dB
Comparator ON Level 2	V_{c2}		-6	-5	-4	dB
Comparator ON Level 3	V_{c3}			0		dB
Comparator ON Level 4	V_{c4}		2.5	3.0	3.5	dB
Comparator ON Level 5	V_{c5}		5	6	7	dB
LED Output current	I_{LED}		11.0	15.0	18.5	mA
Amp Gain	G_v	$V_i=0.1\text{V}$	24	26	28	dB
Input Bias Current	I_{INO}		-1.0	-0.3		μA

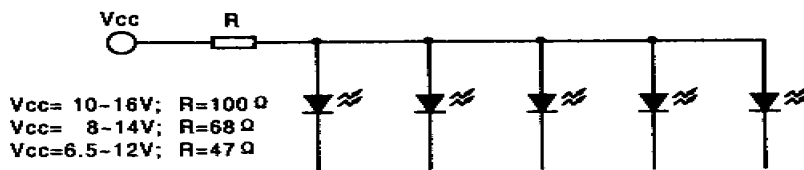
TEST CIRCUIT



UTCLA2284 LINEAR INTEGRATED CIRCUIT

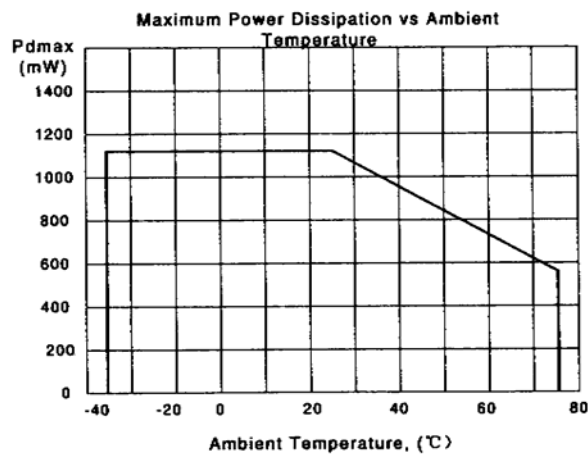
APPLICATION INFORMATION

1. By changing the time constant C1 and, the response, attack and release time, may be varied. In the above application conditions, power dissipation may be operated at higher levels than the absolute maximum ratings. The wattage of R is to be determined by the total LED current and R value recommended by the R table.



TO UTC LA2284

TYPICAL PERFORMANCE CHARACTERISTICS



UTCLA2284 LINEAR INTEGRATED CIRCUIT

UTC assumes no responsibility for equipment failures that result from using products at values that exceed, even momentarily, rated values (such as maximum ratings, operating condition ranges, or other parameters) listed in products specifications of any and all UTC products described or contained herein. UTC products are not designed for use in life support appliances, devices or systems where malfunction of these products can be reasonably expected to result in personal injury. Reproduction in whole or in part is prohibited without the prior written consent of the copyright owner. The information presented in this document does not form part of any quotation or contract, is believed to be accurate and reliable and may be changed without notice.