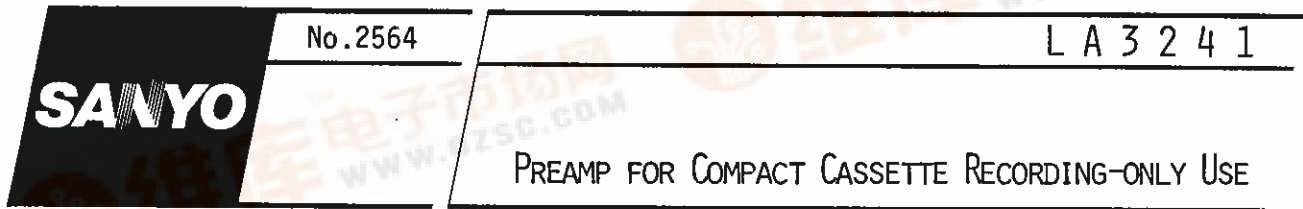


Monolithic Linear IC



The LA3241 is a preamp IC for compact cassette player recording-only use. The distinctive feature of the LA3241 is that it contains mechanical switches which have been so far connected externally as peripheral parts.

Applications

- . Radio-cassette tape recorder/tape deck-use stereo compact cassette player

Features

- . Wide ALC : $ALC_w = 60\text{dB typ}$
- . 2-step ALC level : $ALC_{V_O} = 0.42\text{V}, 0.65\text{V}$
- . On-chip electronic select switches permitting selection of normal/metal tape and normal/higher speed mode recording equalizer
- . On-chip mike amp : Gain 25dB typ fixed
- . Low-voltage operation because the Schottky barrier diode is used for ALC rectifier diode.
- . Wide operating voltage : $V_{CC} = 4.5$ to 14.0V

Functions

- . Recording preamp x2
- . Mike amp x1
- . ALC x1
- . Electronic switch x6

Maximum Ratings at $T_a = 25^\circ\text{C}$

			unit
Maximum Supply Voltage	$V_{CC \text{ max}}$	16	V
Allowable Power Dissipation	$P_d \text{ max}$	720	mW
Operating Temperature	T_{opr}	-20 to +75	$^\circ\text{C}$
Storage Temperature	T_{stg}	-40 to +125	$^\circ\text{C}$

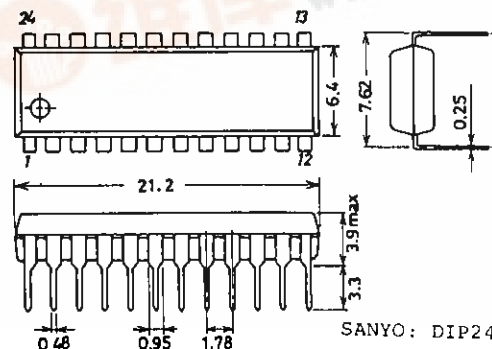
Operating Conditions at $T_a = 25^\circ\text{C}$

			unit
Recommended Supply Voltage	V_{CC}	6	V
Operating Voltage Range	$V_{CC \text{ op}}$	4.5 to 14.0	V

Package Dimensions

(unit: mm)

3067



SANYO: DIP24S

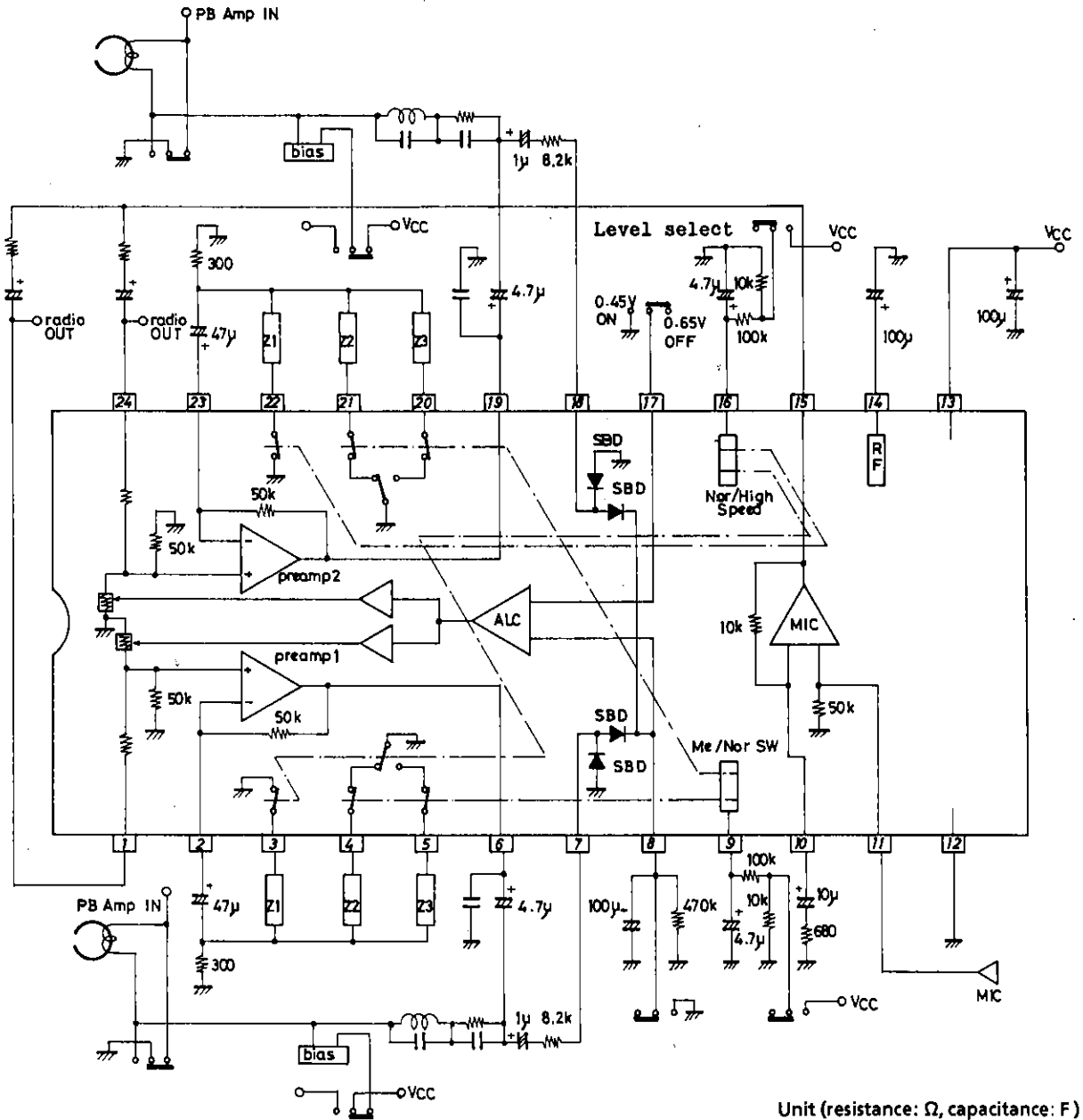
LA3241

Operating Characteristics at $T_a=25^{\circ}\text{C}$, $V_{CC}=6\text{V}$, $R_L=10\text{kohms}$, $f=1\text{kHz}$, $0\text{dB}=0.775\text{V}$

			min	typ	max	unit
Quiescent Current	I_{CC0}	Me/Nor, Nor/High SW off	5	7.5	12	mA
Quiescent Current	I_{CCS}	Me/Nor, Nor/High SW on	12	16	20	mA
[REC Amp]						
Voltage Gain (Open)	V_{G01}		75	85		dB
Voltage Gain (Closed)	V_{G1}	$V_0=0\text{dBm}$	42.5	44.5	46.0	dB
Total Harmonic Distortion	THD1	$V_0=0.4\text{V}$		0.1	0.7	%
Maximum Output Voltage	V_0 max	THD=1%	0.7	1.0		V
Equivalent Input Noise Voltage	V_{NI1}	$R_g=2.2\text{kohms}$, BPF: 20Hz to 20kHz		1.1	1.7	μV
Input Resistance	R_{I1}		40	50	60	kohm
Crosstalk	CT1	Between REC amps	50	60		dB
	CT2	REC amp \rightarrow Mike amp	50	75		dB
Channel Balance	CB	$V_i=-50\text{dBm}$		0	2	dB
[Mike Amp]						
Voltage Gain	V_{G02}		40	50		dB
Voltage Gain	V_{G2}	$V_0=0\text{dBm}$	23	25	27	dB
Total Harmonic Distortion	THD2	$V_0=0.4\text{V}$		0.1	0.7	V
Maximum Output Voltage	V_{02}	THD=1%	0.8	1.1		V
Equivalent Input Noise Voltage	V_{NI2}	$R_g=3.6\text{kohms}$, BPF: 20Hz to 20kHz		1.2	1.7	μV
Input Resistance	R_{I2}		40	50	60	kohm
Crosstalk	CT3	Mike amp \rightarrow REC amp	45	60		dB
[ALC]						
ALC Range	ALC_W	Input range when output distortion becomes 1% after ALC begins to be applied.	55	60		dB
ALC Balance	ALC_B	Output difference between CH1 and CH2		0	2	dB
ALC Distortion	ALC_{THD}	$V_i=-40\text{dBm}$		0.15	0.80	%
ALC Output Voltage	ALC_{V_0}	$V_i=-40\text{dBm}$, pin17 Gnd	0.33	0.42	0.53	V
		pin17 open	0.56	0.65	0.76	
Crosstalk	CT4	Between REC amps	45	60		dB
	CT5	REC amp \rightarrow Mike amp	50	70		dB
[Switch]						
ON-State Resistance	R_{on}			30	70	ohm
DC Feedback Resistance	R_{F1}		40	50	60	kohm

LA3241

Sample Application Circuit



Unit (resistance: Ω, capacitance: F)

(Notes)

1. The electronic select switch level is approximately $(V_{CC}-0.9)/2$.
2. REC amplifier NF parameters Z1 through Z3 should be selected to accommodate the recording level and frequency response that will be required in metal/normal tape and normal/higher speed modes.
3. Z1 through Z3 may be configured with coil "L", capacitor "C", and resistor "R".
4. The electronic select switch mode illustrated above shows no V_{CC} being impressed on Me/Nor SW (9) or Nor/High SW (10).
5. The ALC level on pin 7 should not be changed over while V_{CC} is impressed.

■ No products described or contained herein are intended for use in surgical implants, life-support systems, aerospace equipment, nuclear power control systems, vehicles, disaster/crime-prevention equipment and the like, the failure of which may directly or indirectly cause injury, death or property loss.

■ Anyone purchasing any products described or contained herein for an above-mentioned use shall:

- ① Accept full responsibility and indemnify and defend SANYO ELECTRIC CO., LTD., its affiliates, subsidiaries and distributors and all their officers and employees, jointly and severally, against any and all claims and litigation and all damages, cost and expenses associated with such use;
- ② Not impose any responsibility for any fault or negligence which may be cited in any such claim or litigation on SANYO ELECTRIC CO., LTD., its affiliates, subsidiaries and distributors or any of their officers and employees jointly or severally.

■ Information (including circuit diagrams and circuit parameters) herein is for example only; it is not guaranteed for volume production. SANYO believes information herein is accurate and reliable, but no guarantees are made or implied regarding its use or any infringements of intellectual property rights or other rights of third parties.