

<b>SANYO</b>	No.2071C	Monolithic Linear IC
	<b>LA5527</b>	
<b>Low-Voltage DC Motor Speed Controller</b>		

Especially suited for controlling speed of a low-voltage (3V min.) DC motor for cassette tape recorders, 8mm motion-picture cameras, record players

**Features**

- . Wide operating voltage range (1.8 to 10V)
- . Easy to vary speed
- . Large starting torque
- . Easy to control rotational speed from very low speed to high speed

**Maximum Ratings at Ta=25°C**

Maximum Supply Voltage	$V_{CCmax}$	12	V	unit
Allowable Power Dissipation	$P_{dmax}$	1	W	
Operating Temperature	$T_{opr}$	-20 to +80	°C	
Storage Temperature	$T_{stg}$	-40 to +150	°C	
Motor Current	$I_m$	1000	mA	

**Operating Conditions at Ta=25°C**

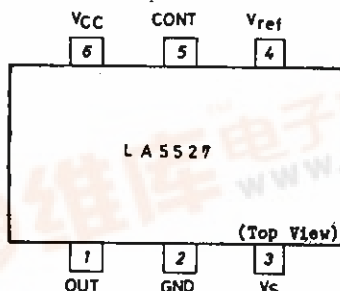
Supply Voltage Range	$V_{CC\ op}$	1.8 to 10	V	unit
Recommended Operating Temperature	$T_{opg}$	-10 to +60	°C	

**Operating Characteristics at Ta=25°C**

			min	typ	max	unit
Reference Voltage	$V_{ref}$	$V_{CC}=3V, I_m=100mA$	1.15	1.25	1.3	V
Quiescent Current Dissipation	$I_d$	$V_{CC}=3V, I_m=100mA$		3.0	6.0	mA
Shunt Ratio	$K$	$V_{CC}=3V, I_m=50-150mA$	45	50	55	
Residual Voltage	$V_{sat}$	$V_{CC}=3V, I_m=200mA$	0.3	0.5		V
		$V_{ref}-V_{cont}$				
Voltage Characteristic of Reference Voltage	$\frac{\Delta V_{ref}}{V_{ref}/\Delta V_{CC}}$	$I_m=100mA, V_{CC}=1.8\ to\ 10V$		0.1	0.3	%/V
Voltage Characteristic of Shunt Ratio	$\frac{\Delta K}{K/\Delta V_{CC}}$	$I_m=50-150mA, V_{CC}=1.8\ to\ 10V$		0.05	0.3	%/V
Current Characteristic of Reference Voltage	$\frac{\Delta V_{ref}}{V_{ref}/\Delta I_m}$	$I_m=20\ to\ 200mA, V_{CC}=3V$		0.005	0.01	%/mA

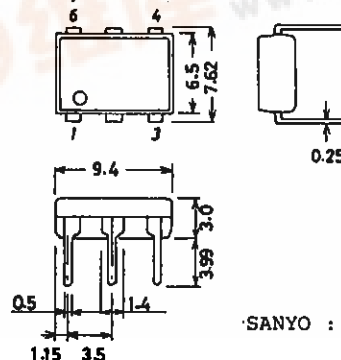
Continued on next page.

**Pin Assignment**



**Package Dimensions 3048A**

unit: mm



SANYO : DIP6

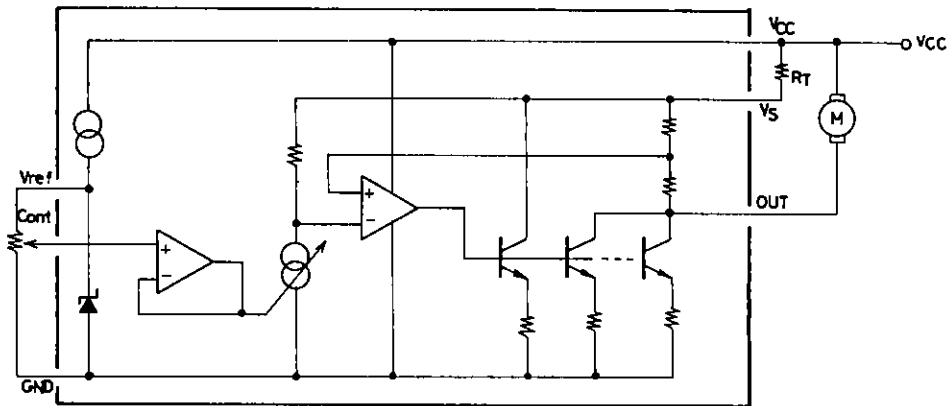


# LA5527

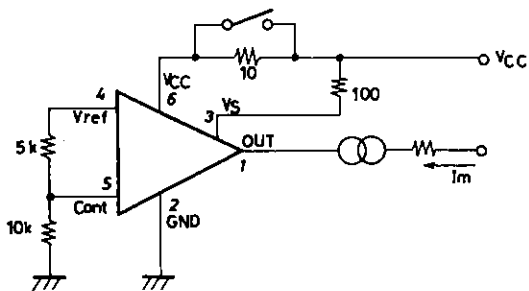
Continued from preceding page.

			min	typ	max	unit
Current Characteristic of Shunt Ratio	$\frac{\Delta K}{K/\Delta I_m}$	$V_{CC}=3V,$ $I_m=20-50mA$ to 170-200mA	-0.02	0.005	0.02	%/mA
Temperature Characteristic of Reference Voltage	$\frac{\Delta V_{ref}}{V_{ref}/\Delta T_a}$	$V_{CC}=3V,$ $I_m=100mA,$ $T_a=-20$ to $+80^\circ C$		0.02		%/°C
Temperature Characteristic of Shunt Ratio	$\frac{\Delta K}{K/\Delta T_a}$	$V_{CC}=3V,$ $I_m=50-150mA,$ $T_a=-20$ to $+80^\circ C$	-0.002			%/°C

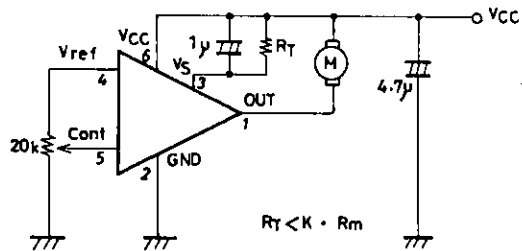
## Equivalent Circuit Block Diagram



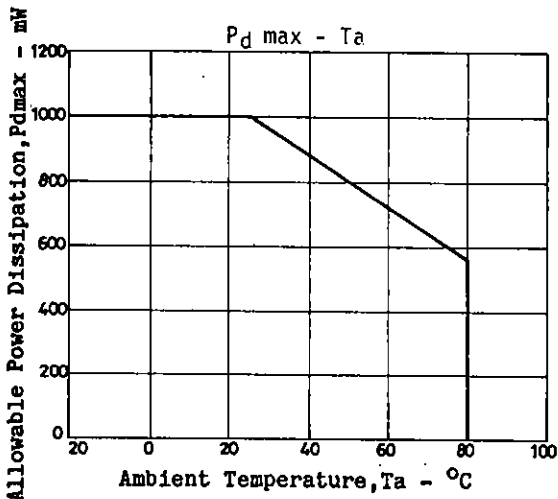
## Test Circuit



## Application Circuit



Unit (resistance: Ω, capacitance: F)



- No products described or contained herein are intended for use in surgical implants, life-support systems, aerospace equipment, nuclear power control systems, vehicles, disaster/crime-prevention equipment and the like, the failure of which may directly or indirectly cause injury, death or property loss.
- Anyone purchasing any products described or contained herein for an above-mentioned use shall:
  - ① Accept full responsibility and indemnify and defend SANYO ELECTRIC CO., LTD., its affiliates, subsidiaries and distributors and all their officers and employees, jointly and severally, against any and all claims and litigation and all damages, cost and expenses associated with such use:
  - ② Not impose any responsibility for any fault or negligence which may be cited in any such claim or litigation on SANYO ELECTRIC CO., LTD., its affiliates, subsidiaries and distributors or any of their officers and employees jointly or severally.
- Information (including circuit diagrams and circuit parameters) herein is for example only; it is not guaranteed for volume production. SANYO believes information herein is accurate and reliable, but no guarantees are made or implied regarding its use or any infringements of intellectual property rights or other rights of third parties.