



LA6543

4-Channel Bridge (BTL) Driver for CD-ROM

Overview

The LA6543 is a 4-channel bridge (BTL) driver developed for CD-ROM applications.

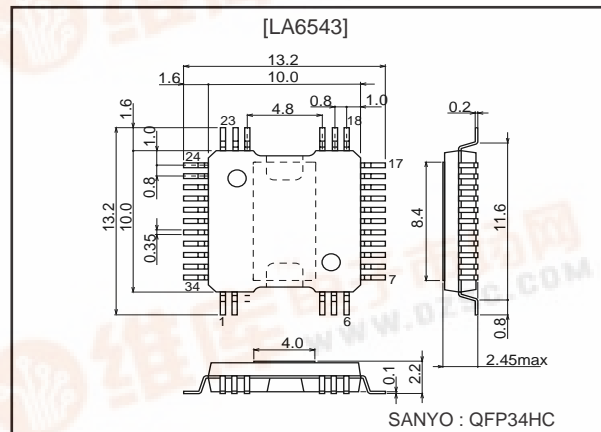
Features and Functions

- Integrated 4-channel power amplifier with bridge circuit (BTL) (two output stage power supply lines)
- I_{Omax} : 1A
- Integrated level shift circuit
- Integrated muting circuit
MUTE: Output OFF at Low, output ON at High.
MUTE1 is for channels 1 and 2, and MUTE2 for channels 3 and 4.
- Integrated thermal shutdown circuit
- Divided output stage power supply (V_{S1} : CH1, CH2, CH3; V_{S2} : CH4)

Package Dimensions

unit: mm

3219-QFP34HC



Specifications

Maximum Ratings at $T_a = 25^\circ\text{C}$

Parameter	Symbol	Conditions	Ratings	Unit
Maximum supply voltage 1	V_{CCmax}		14	V
Maximum supply voltage 2	V_{Smax}	$V_{S1, 2}$	14	V
Maximum input voltage	V_{INmax}	Input pins V_{IN1} to 4	13	V
Mute pin voltage	$V_{MUTEmax}$		13	V
Allowable power dissipation	$Pd max$	IC only	0.77	W
Operating temperature	T_{opr}		-20 to +75	$^\circ\text{C}$
Storage temperature	T_{stg}		-55 to +150	$^\circ\text{C}$

Operating Conditions at $T_a = 25^\circ\text{C}$

Parameter	Symbol	Conditions	Ratings	Unit
Recommended operation voltage 1	V_{CC}		4 to 13	V
Recommended operation voltage 2-1	V_{S1}	V_{S1} : CH1 to CH3	4 to 13	V
Recommended operation voltage 2-2	V_{S2}	V_{S2} : CH4 output reference power supply	4 to 13	V

* $V_{CC} \geq V_{S1, 2}$

■ Any and all SANYO products described or contained herein do not have specifications that can handle applications that require extremely high levels of reliability, such as life-support systems, aircraft's control systems, or other applications whose failure can be reasonably expected to result in serious physical and/or material damage. Consult with your SANYO representative nearest you before using any SANYO products described or contained herein in such applications.

■ SANYO assumes no responsibility for equipment failures that result from using products at values that exceed, even momentarily, rated values (such as maximum ratings, operating condition ranges, or other parameters) listed in products specifications of any and all SANYO products described or contained herein.



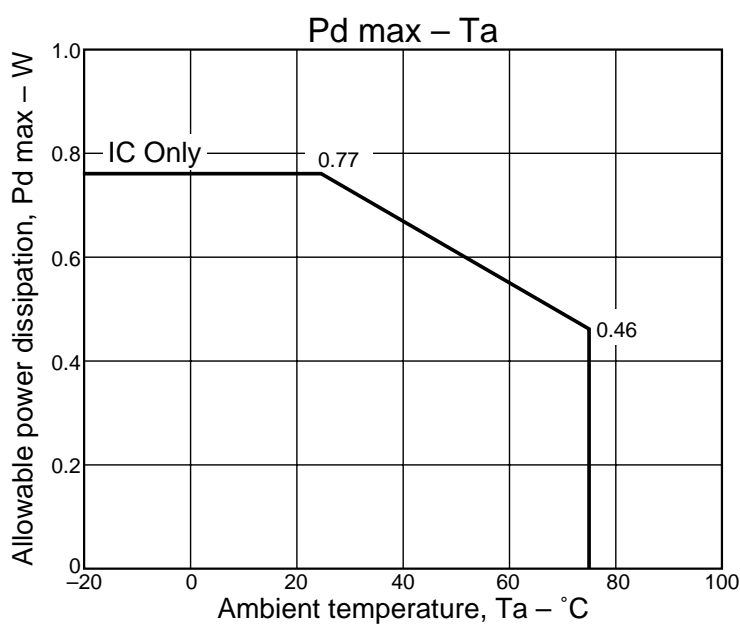
LA6543

Electrical Characteristics at $V_{CC} = 12V$, $V_{S1} = 5V$, $V_{S2} = 12V$, $T_a = 25^\circ C$

Parameter	Symbol	Conditions	Ratings			Unit
			min	typ	max	
V_{CC} no-load current drain	I_{CC1}	All outputs ON (MUTE1, MUTE2: High)	5	10	20	mA
	I_{CC2}	All outputs OFF (MUTE1, MUTE2: Low)		5	10	mA
V_{S1} no-load current drain	I_{S1-1}	CH1 ON (MUTE1, MUTE2: High)		20	40	mA
	I_{S1-2}	CH1 OFF (MUTE1, MUTE2: Low)			4	mA
V_{S2} no-load current drain	I_{S2-1}	CH2 to CH4 ON (MUTE1, MUTE2: High)		5	10	mA
	I_{S2-2}	CH2 to CH4 OFF (MUTE1, MUTE2: Low)			4	mA
Output offset voltage	$V_{OFF1\ to4}$	Potential difference between plus and minus outputs for CH1 to CH4	-50		50	mV
Input voltage range	V_{IN}	Input voltage range for V_{IN1} to V_{IN4}	0.5		5	V
Output voltage (source) (sink)	$V_{Osource}$	Plus and minus outputs at high level $I_O = 700\text{ mA}$	4.4	4.7		V
	V_{Osink}	Plus and minus outputs at low level $I_O = 700\text{ mA}$		0.3	0.6	V
Closed circuit voltage gain1	VG1	Voltage gain between CH1 to CH3 BTL amplifiers		7		dB
Closed circuit voltage gain2	VG2	Voltage gain between CH4 BTL amplifiers		14		dB
Slew rate	SR	(Note 1)		0.5		V/ μ s
Mute ON voltage	V_{MUTE}	MUTE1, MUTE2 voltage when output is ON (Note 2)		1.5	2	V
Mute ON current	I_{MUTE}	MUTE1, MUTE2 voltage when output is ON (Note 2)		6	10	μ A

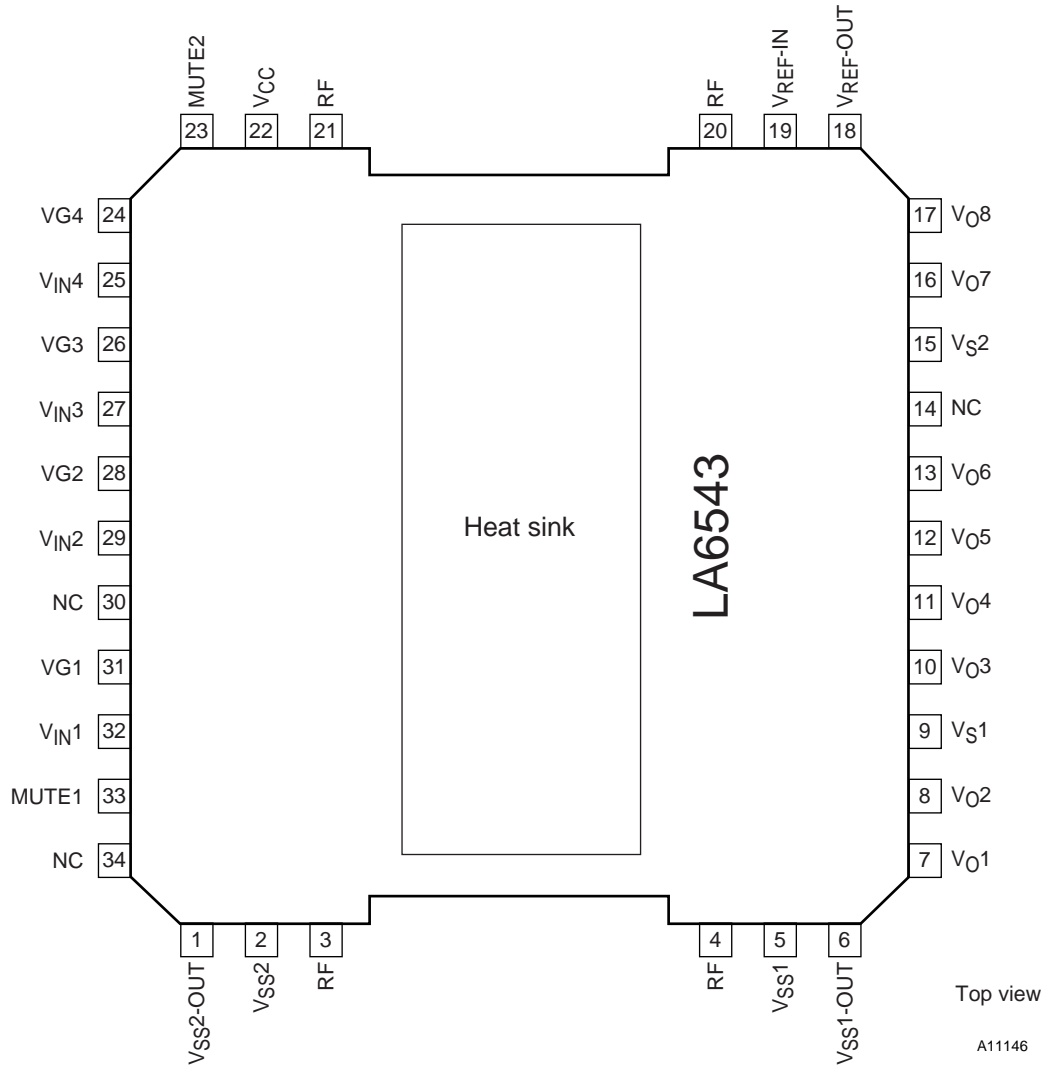
Note 1: Guaranteed design value

Note 2: MUTE turns amplifier output ON at High and OFF at Low. (At Low, output impedance becomes high.) MUTE1 and MUTE2 operate independently on the respective channels.



LA6543

Pin Assignment



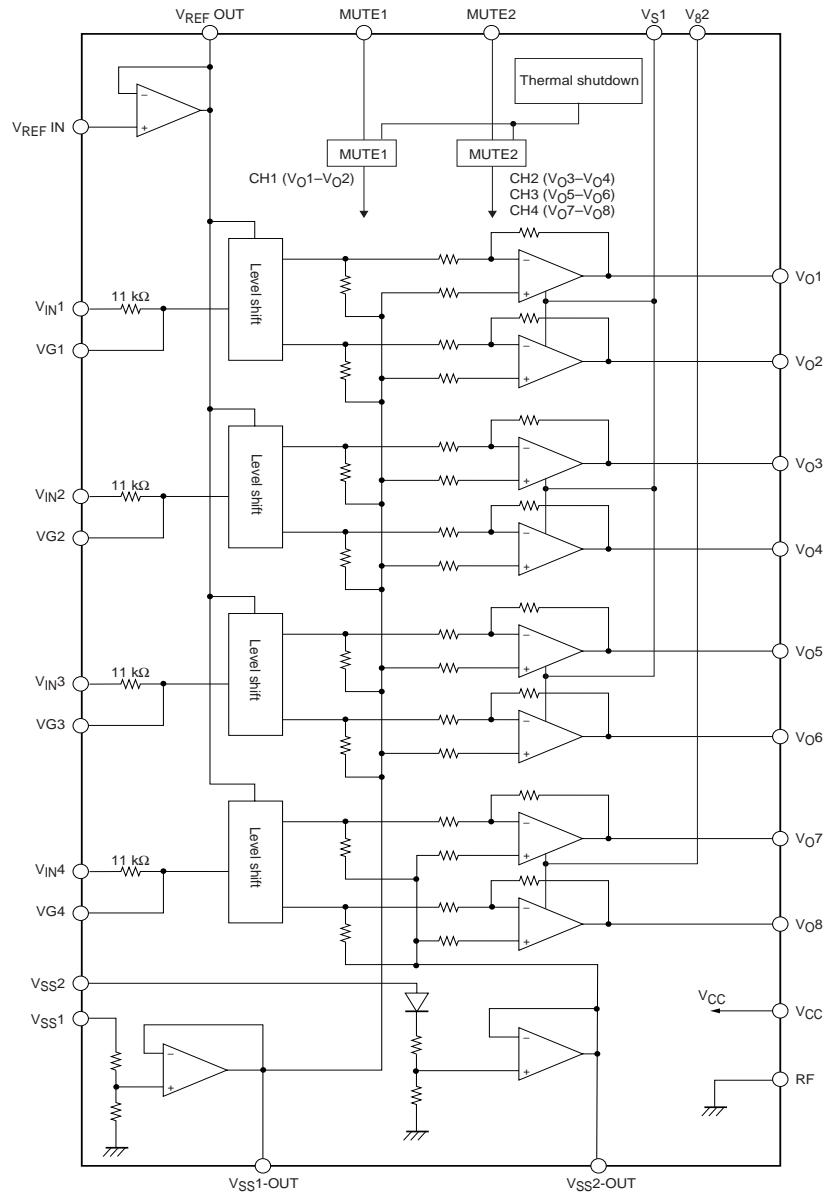
LA6543

Pin Function

Pin number	Pin name	Equivalent circuit	Pin function
1	V _{SS2} -OUT		Output stage reference voltage (V _{SS2} -V _{BE})/2: typ)
2	V _{SS2}		Connect to V _{S2}
3,4 20,21	RF		Substrate (minimum potential)
7	V _{O1}		CH1 non-inverted output (CH1+)
8	V _{O2}		CH1 inverted output (CH1-)
10	V _{O3}		CH2 non-inverted output (CH2+)
11	V _{O4}		CH2 inverted output (CH2-)
12	V _{O5}		CH3 non-inverted output (CH3+)
13	V _{O6}		CH3 inverted output (CH3-)
16	V _{O7}		CH4 non-inverted output (CH4+)
17	V _{O8}	CH4 inverted output (CH4-)	
9	V _{S1}	A11144	Power supply for output stage (CH1 to CH3) (CH4)
15	V _{S2}		
5	V _{SS1}		Connect to V _{S1}
6	V _{SS1} -OUT		Output reference voltage (V _{SS1} /2: typ)
14,30 34	NC		May not be used.
18	V _{REF} -OUT		Output reference voltage (V _{REF} buffer amplifier output)
24	VG4		Input pin for CH4 (gain adjustment)
26	VG3		Input pin for CH3 (gain adjustment)
28	VG2		Input pin for CH2 (gain adjustment)
31	VG1		Input pin for CH1 (gain adjustment)
25	V _{IN4}		Input pin for CH4 (fixed gain)
27	V _{IN3}		Input pin for CH3 (fixed gain)
29	V _{IN2}		Input pin for CH2 (fixed gain)
32	V _{IN1}	Input pin for CH1 (fixed gain)	
19	V _{REF} -IN		Reference voltage input (V _{REF} buffer amplifier input)
22	V _{CC}		Power supply
23	MUTE2		CH2-CH4 amplifier output ON/OFF
33	MUTE1		CH1 amplifier output ON/OFF

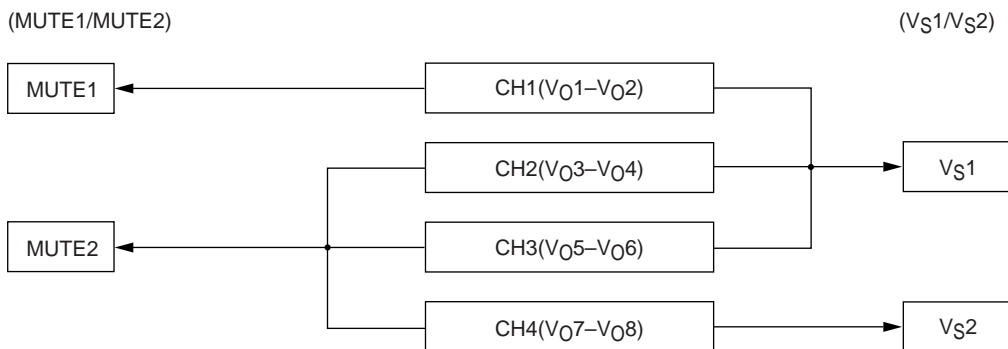
LA6543

Block Diagram



A11149

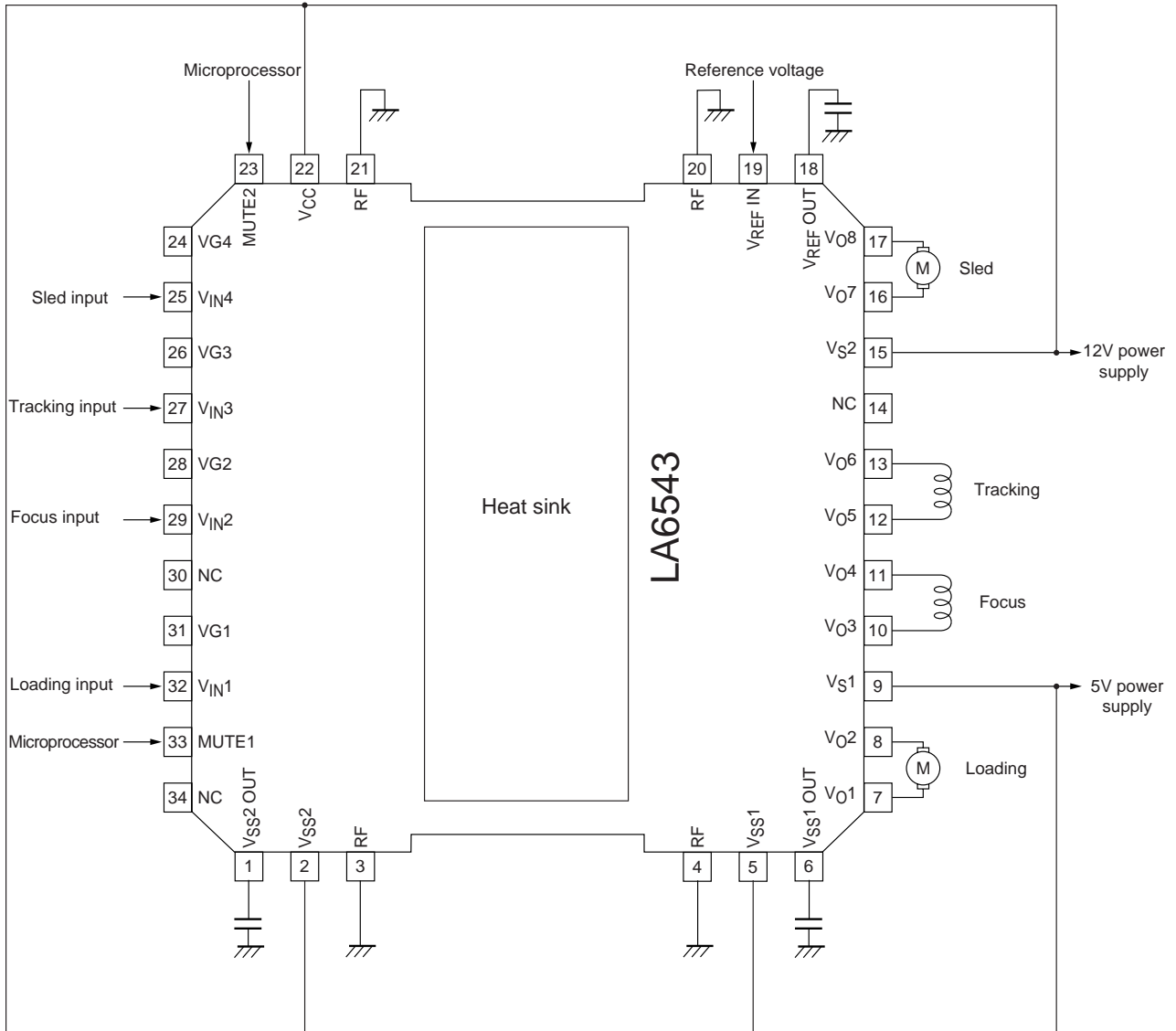
System Diagram (relationship between power supply and MUTE)



A11147

LA6543

Sample Application Circuit



Gain Setting (input pins and adjustment pins)

A simplified diagram of V_{IN} and V_G is shown below.

- 1) Consider an 11 k Ω (typ.) resistor inserted between V_{IN} and V_G .
- 2) When not the pin V_G but the pin V_{IN} is used alone, the BTL gain (between V_{O^+} and V_{O^-}) is set to 7 dB for CH1 to CH3 (1 dB for AMP only). For CH4, it is 14 dB (8 dB for AMP only). This also applies for the case when V_{IN} is not used and an 11 k Ω external resistor is connected to V_G for input.
- 3) Gain is set by the input impedance as seen from point A.

When V_G only is used and the external resistor is R , the BTL gain (between V_{O^+} and V_{O^-}) is

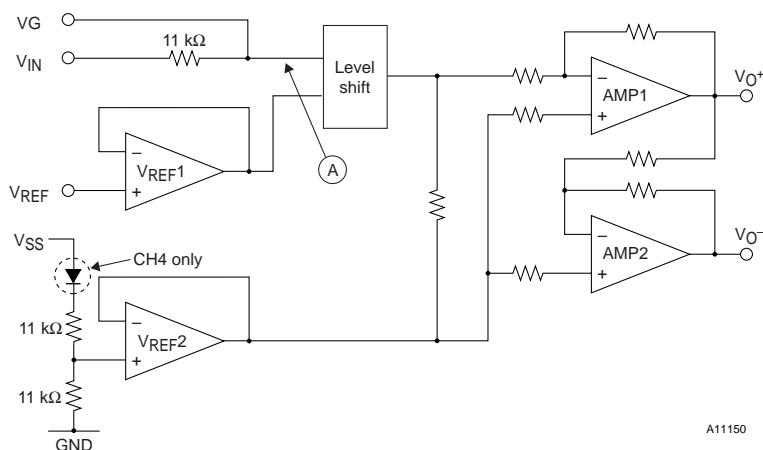
$$20 \log (11 \text{ k}\Omega / R) + 14 \text{ dB.}$$

When an 11 k Ω resistor is inserted between V_{IN} and V_G , and input is via V_{IN} , the combined resistance R_z as seen from point A is

$$R_z = 5.5 \text{ k}\Omega. \text{ Gain is}$$

$$\text{CH1 to CH3 : } 20 \log (11 \text{ k}\Omega / 5.5 \text{ k}\Omega) + 7 \text{ dB} = 13 \text{ dB}$$

$$\text{CH4 : } 20 \log (11 \text{ k}\Omega / 5.5 \text{ k}\Omega) + 14 \text{ dB} = 20 \text{ dB.}$$



Offset Voltage

This IC incorporates a level shifter circuit. The input references the voltage V_{REF} to be applied and references the voltage $(V_{SS1})/2V$ for channels 1 to 3 or the voltage $(V_{SS2}-V_{BE}(0.7))/2V$ for channel 4 to be output.

- Specifications of any and all SANYO products described or contained herein stipulate the performance, characteristics, and functions of the described products in the independent state, and are not guarantees of the performance, characteristics, and functions of the described products as mounted in the customer's products or equipment. To verify symptoms and states that cannot be evaluated in an independent device, the customer should always evaluate and test devices mounted in the customer's products or equipment.
- SANYO Electric Co., Ltd. strives to supply high-quality high-reliability products. However, any and all semiconductor products fail with some probability. It is possible that these probabilistic failures could give rise to accidents or events that could endanger human lives, that could give rise to smoke or fire, or that could cause damage to other property. When designing equipment, adopt safety measures so that these kinds of accidents or events cannot occur. Such measures include but are not limited to protective circuits and error prevention circuits for safe design, redundant design, and structural design.
- In the event that any or all SANYO products (including technical data, services) described or contained herein are controlled under any of applicable local export control laws and regulations, such products must not be exported without obtaining the export license from the authorities concerned in accordance with the above law.
- No part of this publication may be reproduced or transmitted in any form or by any means, electronic or mechanical, including photocopying and recording, or any information storage or retrieval system, or otherwise, without the prior written permission of SANYO Electric Co., Ltd.
- Any and all information described or contained herein are subject to change without notice due to product/technology improvement, etc. When designing equipment, refer to the "Delivery Specification" for the SANYO product that you intend to use.
- Information (including circuit diagrams and circuit parameters) herein is for example only ; it is not guaranteed for volume production. SANYO believes information herein is accurate and reliable, but no guarantees are made or implied regarding its use or any infringements of intellectual property rights or other rights of third parties.