

Monolithic Linear IC

LA7286

SANYO

No. 4750

VCR Audio Signal Recording
and Playback Processor

Functions

- Equalizer amplifier
- Line amplifier
- Recording amplifier
- Recording bias current automatic adjustment circuit
- Ripple filter
- Mute
- ALC
- Recording/playback switch
- SP, LP, EP switch
- Tape head switch

Features

- No adjustment of recording bias current required (due to adoption of automatic adjustment circuit).
- Recording bias oscillation circuit power supply switch on chip.
- Eliminates need for choke coil for recording equalizer.
- Playback amplifier equivalent input noise voltage: 1.0 μ Vrms.
- Reduced capacitance (3.3 μ F) of ALC detection capacitor.
- High withstand voltage head switch on chip.
- Supply voltage: 9 V and 12 V operation.

Specifications

Maximum Ratings at Ta = 25°C

Parameter	Symbol	Conditions	Ratings	Unit
Maximum supply voltage	V _{CC} max		14	V
Pin 2 input voltages	V _{IN2}	DC	±65	Vp-p
Pin 2 input current	I _{IN2}		±1.5	mA
Allowable power dissipation	P _d max	Ta ≤ 65°C	500	mW
Operating temperature	T _{opr}		-10 to +65	°C
Storage temperature	T _{stg}		-55 to +150	°C

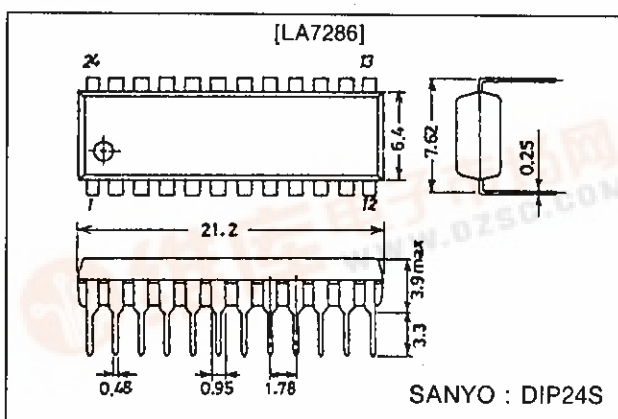
Operating Conditions at Ta = 25°C

Parameter	Symbol	Conditions	Ratings	Unit
Recommended supply voltage	V _{CC}		9, 12	V
Operating supply voltage range	V _{CCop}		8.5 to 12.5	V

Package Dimensions

unit : mm

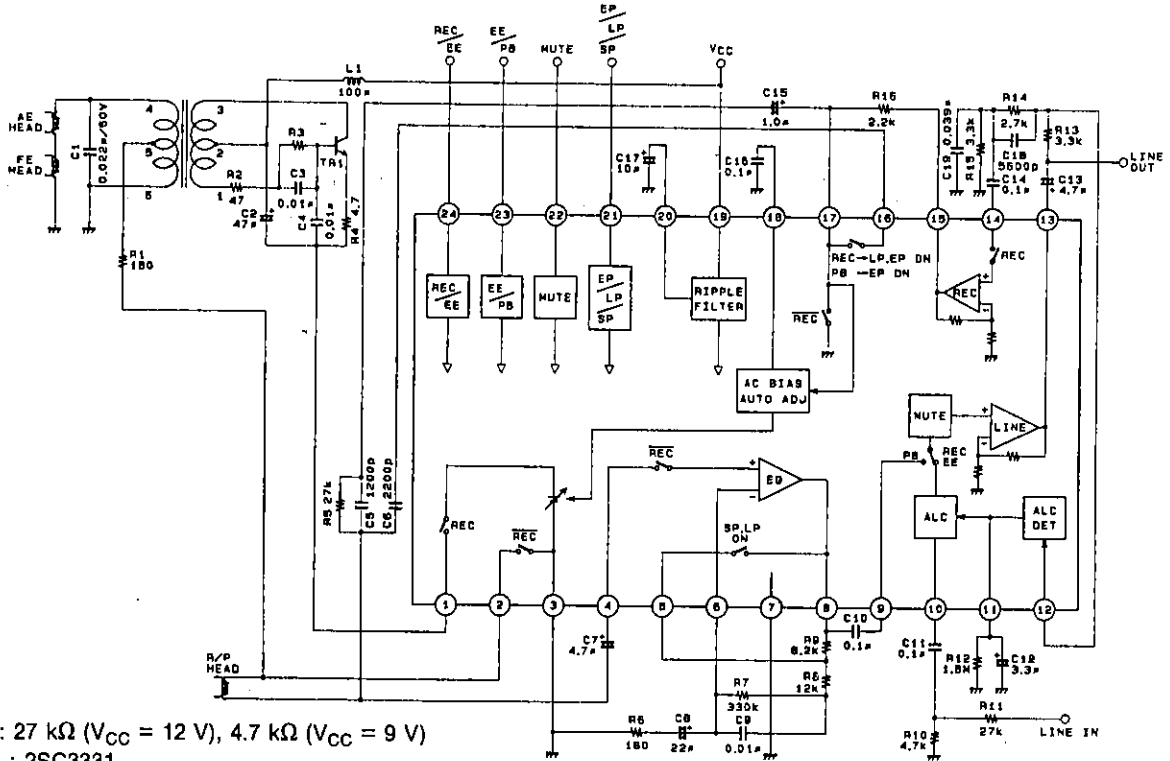
3067-DIP24S



LA7286

Sample Application Circuit : Erase head series type

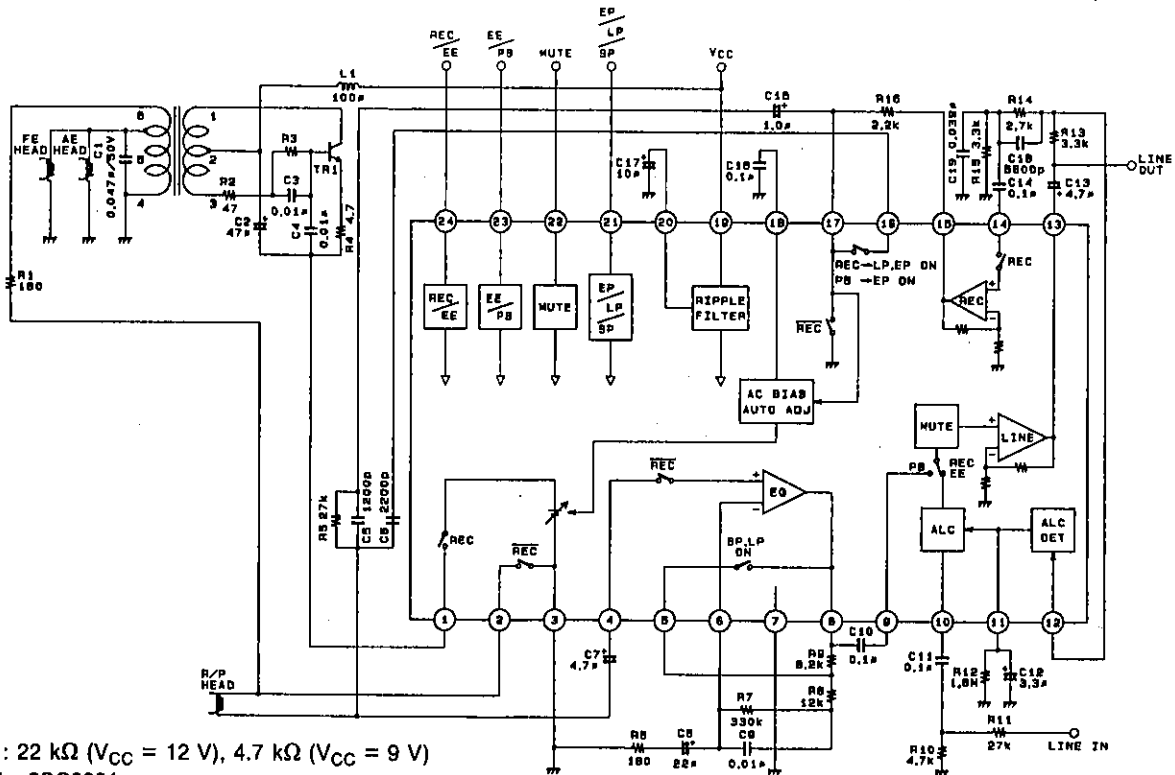
Unit (resistance: Ω , capacitance: F)



- * R3 : 27 k Ω ($V_{CC} = 12 V$), 4.7 k Ω ($V_{CC} = 9 V$)
- * TR1 : 2SC3331

Sample Application Circuit : Erase head parallel type

Unit (resistance: Ω , capacitance: F)



- * R3 : 22 k Ω ($V_{CC} = 12 V$), 4.7 k Ω ($V_{CC} = 9 V$)
- * TR1 : 2SC3331

LA7286

Pin Functions

Unit (resistance: Ω)

Pin No.	Function name	Internal circuit for pin	Description of function
1	Recording bias automatic control output		EE, PB \rightarrow off REC \rightarrow control voltage
2	Head switch (high withstand voltage)		EE, PB \rightarrow on REC \rightarrow off On resistance \rightarrow 10 Ω (typ) Withstand voltage when off \rightarrow \pm 45 V (f = 80 kHz)
3	GND		GND for pin 2 head switch and Equalizer Amplifier only
4	EQ AMP input		Input impedance for playback signal input from head \rightarrow 120 k Ω (typ)
5	EQ switch 1		Switches the Playback Equalizer Amplifier high-region frequency voltage gain. LP, SP \rightarrow on EP \rightarrow off On resistance \rightarrow 20 Ω (typ)
6	EQ AMP NFB		Equalizer Amplifier negative feedback pin
7	GND		GND for all circuit blocks except the pin 2 head switch and Equalizer Amplifier

Continued on next page.

LA7286

Continued from preceding page.

Unit (resistance: Ω)

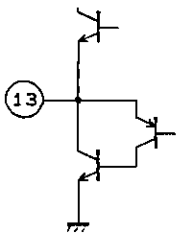
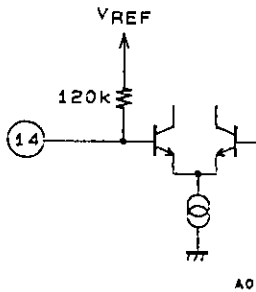
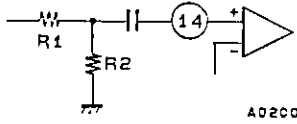
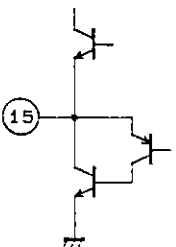
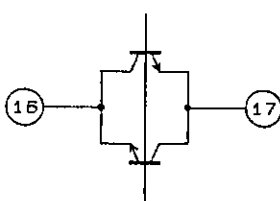
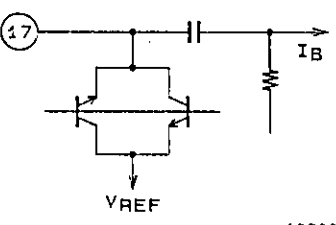
Pin No.	Function name	Internal circuit for pin	Description of function
8	EQ AMP output	<p style="text-align: right;">A01996</p>	Output impedance \rightarrow 50 Ω (typ)
9	LINE AMP PB Input	<p style="text-align: right;">A01997</p>	Inputs the playback signal from the Equalizer Amplifier. Because the input impedance is as high as 120 k Ω , a 0.1 μ F ceramic capacitor can be used for the coupling capacitor on pin 9.
10	LINE AMP LINE Input	<p style="text-align: right;">A01998</p>	<p>Inputs EE and REC signals.</p> <p style="text-align: right;">A01999</p> <p>The reference input is set by resistors R1 and R2. The amplifier gain is fixed at 21.5 dB. In addition, because the input impedance is as high as 120 kΩ, a 0.1 μF ceramic capacitor can be used for the coupling capacitor on pin 10.</p>
11	ALC FILTER	<p style="text-align: right;">A02000</p>	Wave detection is performed when connected to GND through a capacitor. In addition, the attack and recovery time is set by the C and R time constants.
12	ALC Input wave detection	<p style="text-align: right;">A02001</p>	<p style="text-align: right;">A02002</p> <p>Inputs the Line Amplifier output signal. The ALC level is set by the resistors R1 and R2.</p>

Continued on next page.

LA7286

Continued from preceding page.

Unit (resistance: Ω)

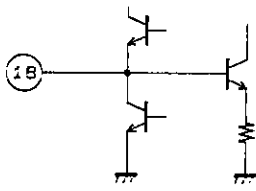
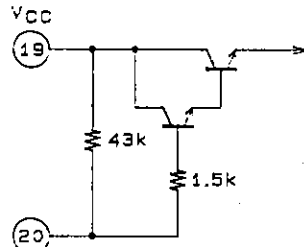
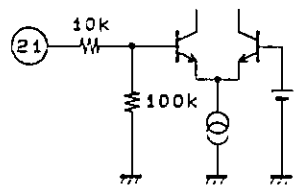
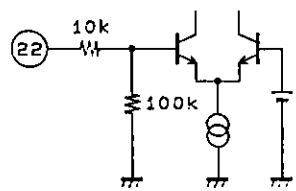
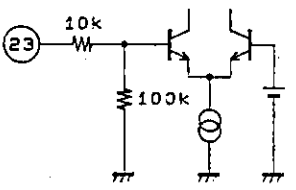
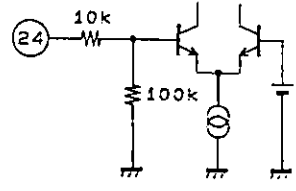
Pin No.	Function name	Internal circuit for pin	Description of function												
13	LINE AMP output	 <p style="text-align: right; font-size: small;">A02003</p>	Output impedance \rightarrow 50 Ω (typ)												
14	REC AMP Input	 <p style="text-align: right; font-size: small;">A02004</p>	<p>Inputs the recording signal from Line Amplifier.</p>  <p style="text-align: right; font-size: small;">A02005</p> <p>The recording current is set by the resistors R1 and R2. In addition, because the input impedance is as high as 120 kΩ, a 0.1 μF ceramic capacitor can be used for the coupling capacitor on pin 14.</p>												
15	REC AMP output	 <p style="text-align: right; font-size: small;">A02005</p>	Output impedance \rightarrow 50 Ω (typ)												
16	EQ switch 2	 <p style="text-align: right; font-size: small;">A02007</p>	<p>Switches the high-region peaking frequency during recording and playback.</p> <table border="1" style="margin-left: auto; margin-right: auto; border-collapse: collapse; text-align: center;"> <thead> <tr> <th></th> <th>REC</th> <th>PB</th> </tr> </thead> <tbody> <tr> <td>EP</td> <td>On</td> <td>On</td> </tr> <tr> <td>LP</td> <td>On</td> <td>Off</td> </tr> <tr> <td>SP</td> <td>Off</td> <td>Off</td> </tr> </tbody> </table> <p>On resistance \rightarrow 30 Ω (typ)</p>		REC	PB	EP	On	On	LP	On	Off	SP	Off	Off
	REC	PB													
EP	On	On													
LP	On	Off													
SP	Off	Off													
17	Recording bias automatic control input and PB switch.	 <p style="text-align: right; font-size: small;">A02008</p>	<p>EE, PB \rightarrow on REC \rightarrow off On resistance \rightarrow 20 Ω (typ)</p>												

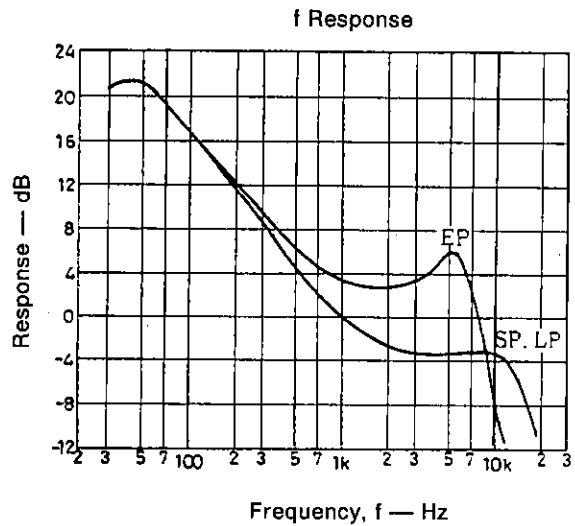
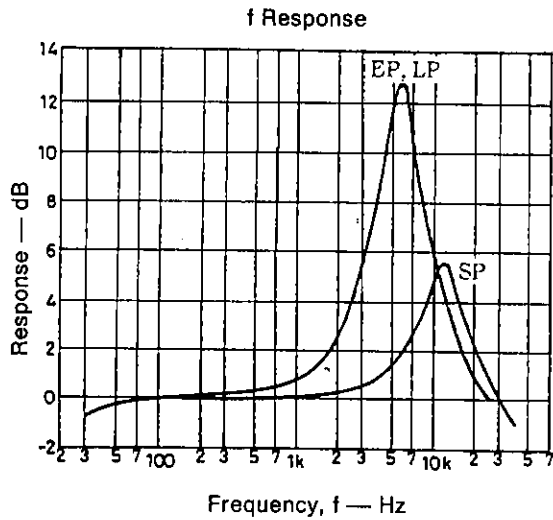
Continued on next page.

LA7286

Continued from preceding page.

Unit (resistance: Ω)

Pin No.	Function name	Internal circuit for pin	Description of function												
18	Recording bias automatic control filter	 <p style="text-align: right; margin-right: 50px;">A02009</p>	Wave detection is performed when connected to GND through a capacitor.												
19	Supply voltage (V _{CC})		V _{CC} max = 14 V V _{CC} = 8.5 V to 12.5 V												
20	Ripple filter	 <p style="text-align: right; margin-right: 50px;">A02010</p>	Ripple rejection is performed when connected to GND through an electrolytic capacitor for the filter.												
21	EP/LP/SP Control	 <p style="text-align: right; margin-right: 50px;">A02011</p>	<p>When the voltage on pin 21 is 3.6 V to 6.0 V: EP; when 1.8 V to 2.6 V: LP; when 0 V to 1.0 V: SP</p> <table border="1" style="margin-left: auto; margin-right: auto;"> <thead> <tr> <th></th> <th>REC</th> <th>PB</th> </tr> </thead> <tbody> <tr> <td>EP</td> <td>16</td> <td>16</td> </tr> <tr> <td>LP</td> <td>16, 5</td> <td>5</td> </tr> <tr> <td>SP</td> <td>5</td> <td>5</td> </tr> </tbody> </table>		REC	PB	EP	16	16	LP	16, 5	5	SP	5	5
	REC	PB													
EP	16	16													
LP	16, 5	5													
SP	5	5													
22	MUTE Control	 <p style="text-align: right; margin-right: 50px;">A02012</p>	<p>When the voltage on pin 22 is 2.5 V to 6.0 V: MUTE on; when 0 V to 1.5 V: MUTE off</p>												
23	EE/PB Control	 <p style="text-align: right; margin-right: 50px;">A02013</p>	<p>When the voltage on pin 23 is 3.0 V to 6.0 V: EE; when 0 V to 1.0 V: PB</p>												
24	REC/EE Control	 <p style="text-align: right; margin-right: 50px;">A02014</p>	<p>When the voltage on pin 24 is 3.0 V to 6.0 V: REC; when 0V to 1.0 V: EE</p> <p>However, REC mode is entered only when the voltage on pin 23 is 3.0 V to 6.0 V.</p>												



- No products described or contained herein are intended for use in surgical implants, life-support systems, aerospace equipment, nuclear power control systems, vehicles, disaster/crime-prevention equipment and the like, the failure of which may directly or indirectly cause injury, death or property loss.
- Anyone purchasing any products described or contained herein for an above-mentioned use shall:
 - ① Accept full responsibility and indemnify and defend SANYO ELECTRIC CO., LTD., its affiliates, subsidiaries and distributors and all their officers and employees, jointly and severally, against any and all claims and litigation and all damages, cost and expenses associated with such use:
 - ② Not impose any responsibility for any fault or negligence which may be cited in any such claim or litigation on SANYO ELECTRIC CO., LTD., its affiliates, subsidiaries and distributors or any of their officers and employees jointly or severally.
- Information (including circuit diagrams and circuit parameters) herein is for example only; it is not guaranteed for volume production. SANYO believes information herein is accurate and reliable, but no guarantees are made or implied regarding its use or any infringements of intellectual property rights or other rights of third parties.