



The LB1292 is designed for interfacing low level device with fluorescent display tube. 6 independent Darlington output stages can be used to drive digits or segments. With pull-down equivalent resistor built in, no external resistor to prevent ghost is required. When input voltage is at low level, output becomes active.

Features

- . 6 independent Darlington drivers.
- . Capable of driving digits or segments.
- . On-chip sink current circuit for pull-down
- . Rated at 55V/25mA

Absolute Maximum Ratings at $T_a=25^\circ\text{C}$

			unit
Maximum Supply Voltage	V_{CCmax}	-0.3 to +55.0	V
Output Supply Voltage	V_{OUT}	-0.3 to V_{CC}	V
Input Supply Voltage	V_{IN}	-0.3 to +20.0	V
Maximum Output Current	I_{OUT}	30	mA
Allowable Power Dissipation	P_dmax	960	mW
Operating Temperature	T_{opr}	-20 to +75	$^\circ\text{C}$
Storage Temperature	T_{stg}	-40 to +150	$^\circ\text{C}$

Allowable Operating Conditions at $T_a=25^\circ\text{C}$

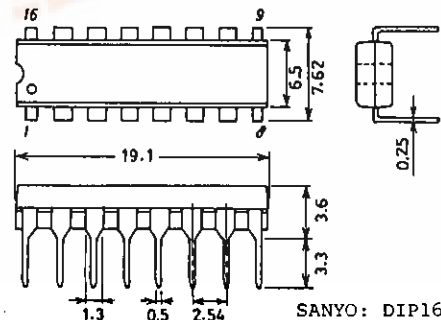
			unit
Supply Voltage	V_{CC}	4.75 to 55.0	V
Input "H" Level Voltage	V_{IH}	$I_{OUT}=-30\text{mA}$ 2.6 to 20.0	V
Input "L" Level Voltage	V_{IL}	$I_{OUT}\leq-30\mu\text{A}$ -0.3 to +0.3	V

Electrical Characteristics at $T_a=25^\circ\text{C}, V_{CC}=55\text{V}$

			min	typ	max	unit
Current Dissipation	I_{CCH}	All inputs, $V_{IN}=10\text{V}$		5.0	8.0	mA
	I_{CCL}	All inputs open	0.3	1.0	1.6	mA
Output Voltage	V_{OH}	$V_{IN}=10\text{V}, I_{OUT}=-30\text{mA}$	$V_{CC}-2.0$	$V_{CC}-1.6$		V
	V_{OL}	$V_{IN}=0.3\text{V}, I_{OUT}=0\text{mA}$			200	mV
Output Leak Current	I_{OL}	$V_{IN}=0.3\text{V}, V_{OUT}=0.5\text{V}$	-30			μA
Pull-down Current	I_{OPL}	$V_{OUT}=V_{CC}$	0.2	0.4	1.0	mA
Input Current	$I_{IN(1)}$	$V_{IN}=10\text{V}$	0.6	0.9	1.3	mA
	$I_{IN(2)}$	$V_{IN}=5\text{V}$	0.2	0.4	0.6	mA
	I_{INL}	$V_{IN}=0\text{V}$	-30			μA

Package Dimensions 3064-D16TR

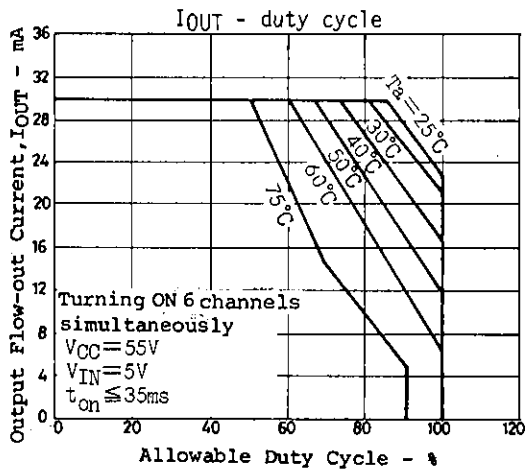
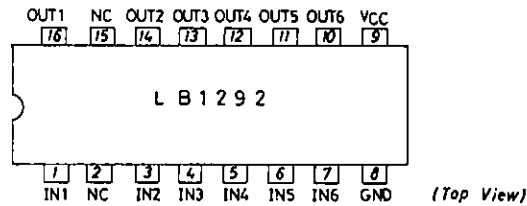
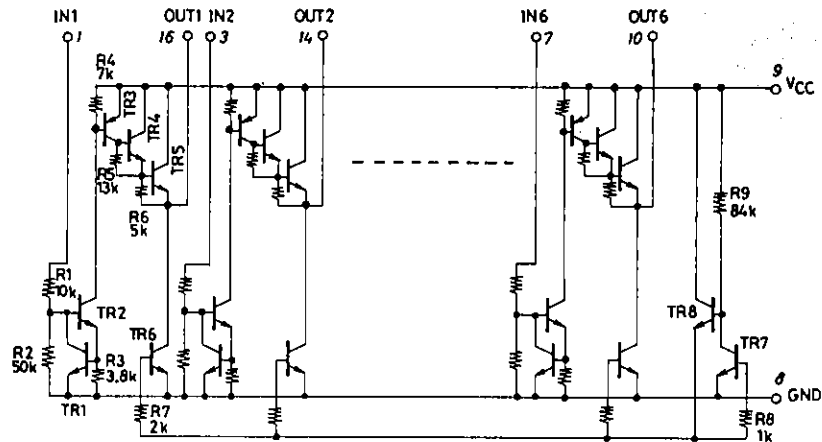
(unit : mm)



LB1292

Equivalent Circuit and Pin Assignment

Unit (resistance: Ω)



- No products described or contained herein are intended for use in surgical implants, life-support systems, aerospace equipment, nuclear power control systems, vehicles, disaster/crime-prevention equipment and the like, the failure of which may directly or indirectly cause injury, death or property loss.
- Anyone purchasing any products described or contained herein for an above-mentioned use shall:
 - ① Accept full responsibility and indemnify and defend SANYO ELECTRIC CO., LTD., its affiliates, subsidiaries and distributors and all their officers and employees, jointly and severally, against any and all claims and litigation and all damages, cost and expenses associated with such use;
 - ② Not impose any responsibility for any fault or negligence which may be cited in any such claim or litigation on SANYO ELECTRIC CO., LTD., its affiliates, subsidiaries and distributors or any of their officers and employees jointly or severally.
- Information (including circuit diagrams and circuit parameters) herein is for example only; it is not guaranteed for volume production. SANYO believes information herein is accurate and reliable, but no guarantees are made or implied regarding its use or any infringements of intellectual property rights or other rights of third parties.