

Ordering number : EN5657

Monolithic Digital IC



LB1862M

Single-Phase Full-Wave Driver for Fan Motors

Overview

The LB1862M is a single-phase full-wave driver provided in a miniature package that is optimal for driving miniature fans such as CPU cooling fans. It provides motor drive with low switching noise and high efficiency.

Functions

- Supports both 5- and 12-V power supplies.
- Allows the use of reverse connection prevention diodes by including a regeneration circuit on chip.
- On-chip Hall amplifier with hysteresis characteristics (Supports commutator-free cores.)
- Lock protection and automatic recovery circuits
- Lock detection pin (Latch type – Low: drive, High: stopped)
- Supports low current drain in standby mode by providing a Hall bias pin and a start/stop pin.
- Thermal shutdown circuit

Specifications

Absolute Maximum Ratings at Ta = 25°C

Parameter	Symbol	Conditions	Ratings	Unit
Supply voltage	V _{CC} max		17	V
Output current	I _{OUT} max		0.5	A
Output voltage	V _{OUT} max		15	V
RD output voltage	V _R max		15	V
RD output current	I _R max		5	mA
HB output current	I _B max		10	mA
ST input voltage	V _{ST} max		15	V
Allowable power dissipation	P _d max	When mounted on the specified board *	850	mW
Operating temperature	T _{opr}		-20 to +75	°C
Storage temperature	T _{stg}		-55 to +150	°C

Note: * Specified board: 114.3 × 76.2 × 1.5 mm epoxy glass laminate board

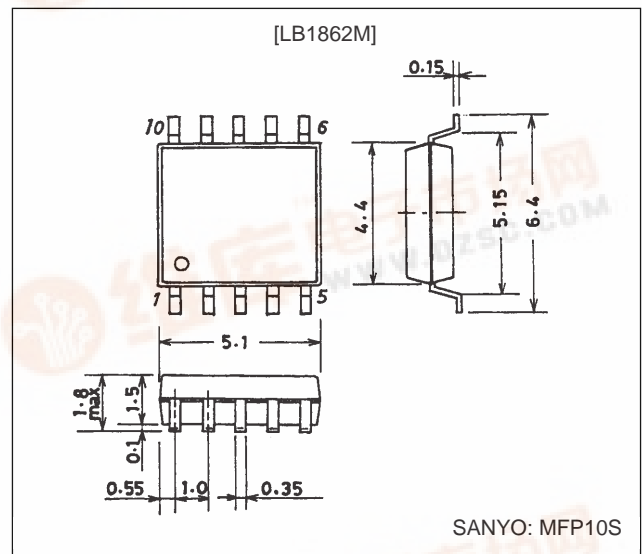
Allowable Operating Ranges at Ta = 25°C

Parameter	Symbol	Conditions	Ratings	Unit
Supply voltage	V _{CC}		3.8 to 16.8	V
ST input high-level voltage	ST _H		3 to 14	V
ST input low-level voltage	ST _L		-0.3 to +0.4	V
Hall input common-mode input voltage range	V _{ICM}		0.2 to V _{CC} - 1.5	V

Package Dimensions

unit: mm

3086A-MFP10S



LB1862M

Electrical Characteristics at $T_a = 25^\circ\text{C}$, $V_{CC} = 5\text{ V}$

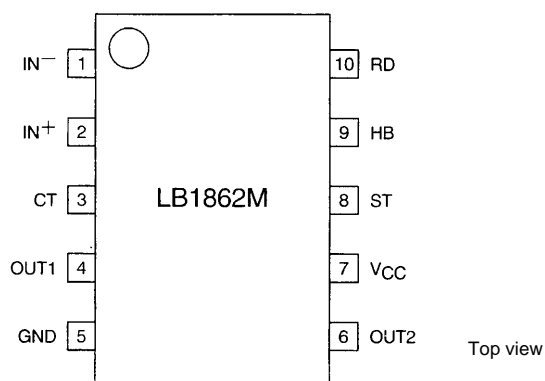
Parameter	Symbol	Conditions	Ratings			Unit
			min	typ	max	
Current drain	I_{CC}	During drive operation (CT = low, ST = low)		6.5	9.1	mA
		During lock protection (CT = high, ST = low)		2.2	3.1	mA
		Standby mode (ST = high)		110	150	μA
Lock detection capacitor charge current	I_{CT1}		1.9	2.8	3.7	μA
Capacitor discharge current	I_{CT2}		0.32	0.46	0.60	μA
Capacitor charge/discharge current ratio	R_{CT}	$R_{CD} = I_{CT1}/I_{CT2}$	5.0	6.0	7.0	
CT charge voltage	V_{CT1}		2.55	2.75	2.95	V
CT discharge voltage	V_{CT2}		1.6	1.8	2.0	V
Output low-level voltage	V_{OL}	$I_O = 200\text{ mA}$		0.2	0.3	V
Output high-level voltage	V_{OH}	$I_O = 200\text{ mA}$	3.9	4.1		V
Hall input sensitivity	V_{HN}	Zero peak value (Including the offset and hysteresis.)		7	15	mV
RD output pin low-level voltage	V_{RD}	$I_{RD} = 5\text{ mA}$		0.1	0.3	V
RD output pin leakage current	$I_{RD L}$	$V_{RD} = 15\text{ V}$			30	μA
HB output low-level voltage	V_{HBL}	$I_{HB} = 5\text{ mA}$		1.0	1.3	V
ST pin input current	I_{ST}	$V_{ST} = 5\text{ V}$		75	100	μA

Truth Table

ST	IN ⁻	IN ⁺	CT	OUT1	OUT2	RD	HB	Mode
H	—	—	—	off	off	off	off	Standby
L	H	L	L	H	L	L	L	Drive
	L	H		L	H			
			H	off	off	off	L	Lock protection

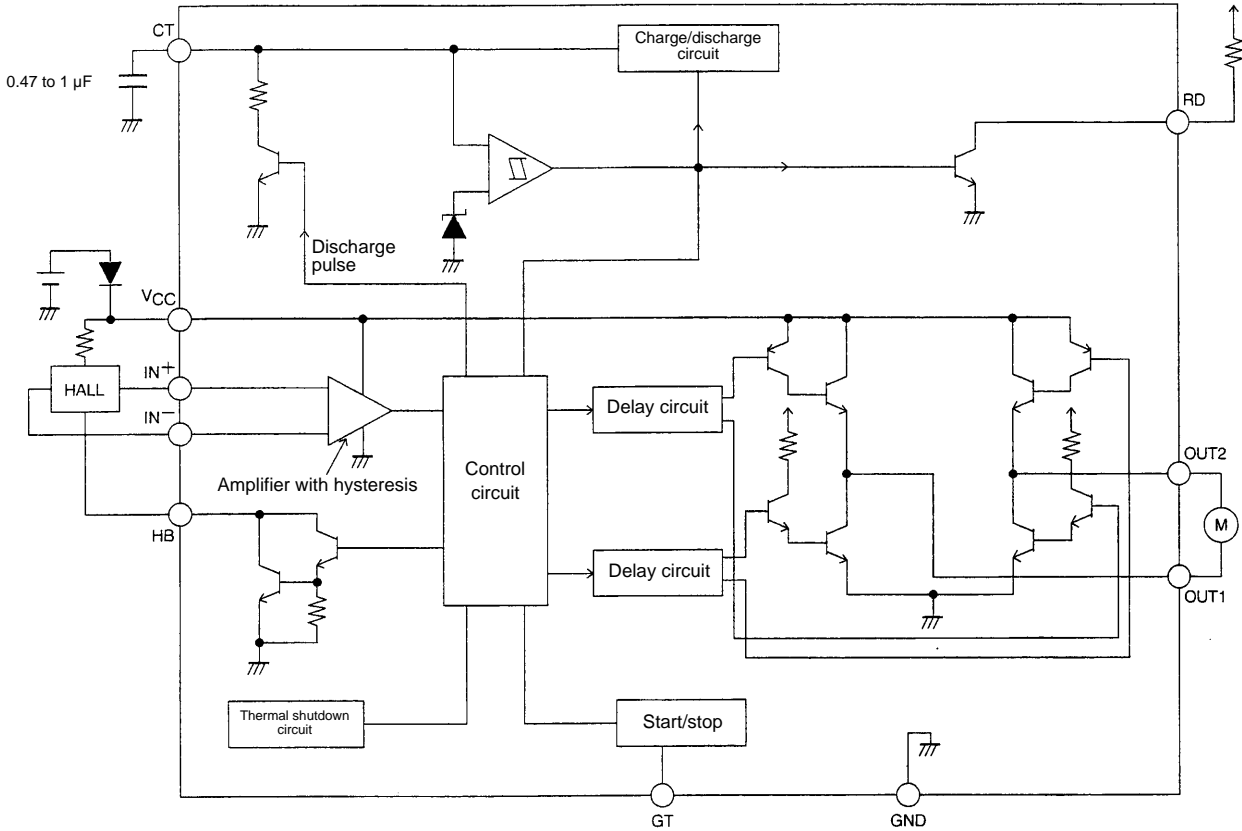
The RD output is a latch-type output; Low: drive, High: stopped

Pin Assignment



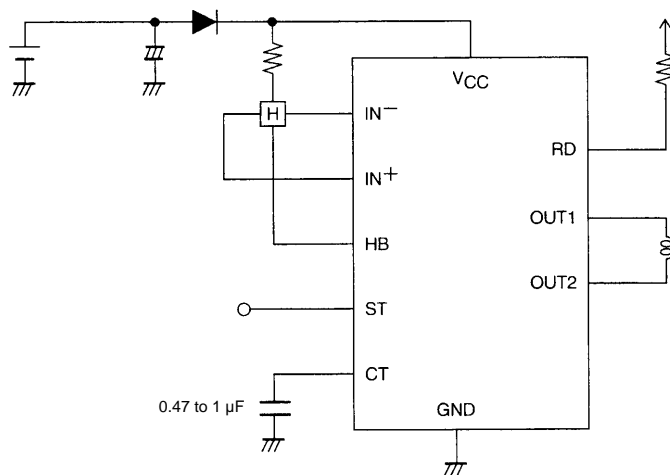
LB1862M

Block Diagram



A07359

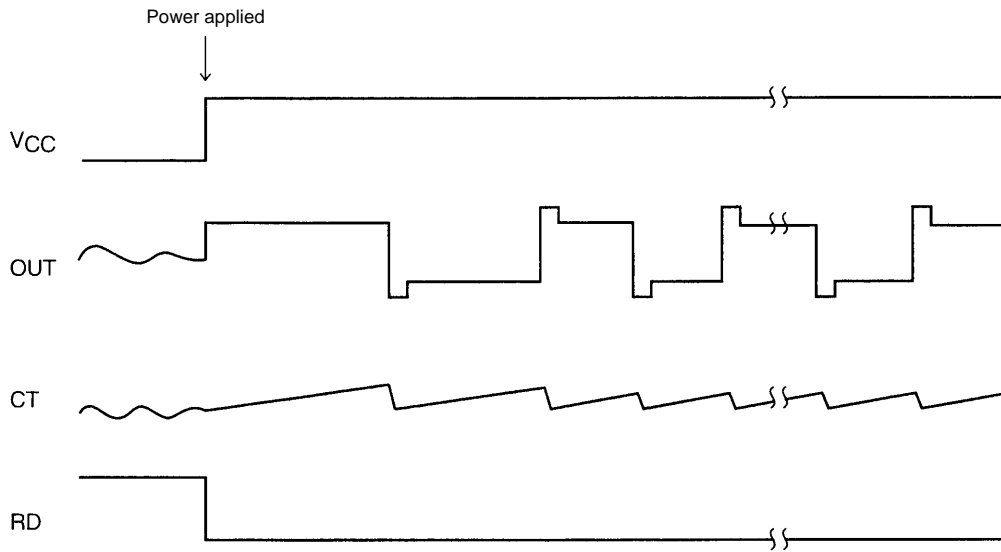
Sample Application Circuit



A07358

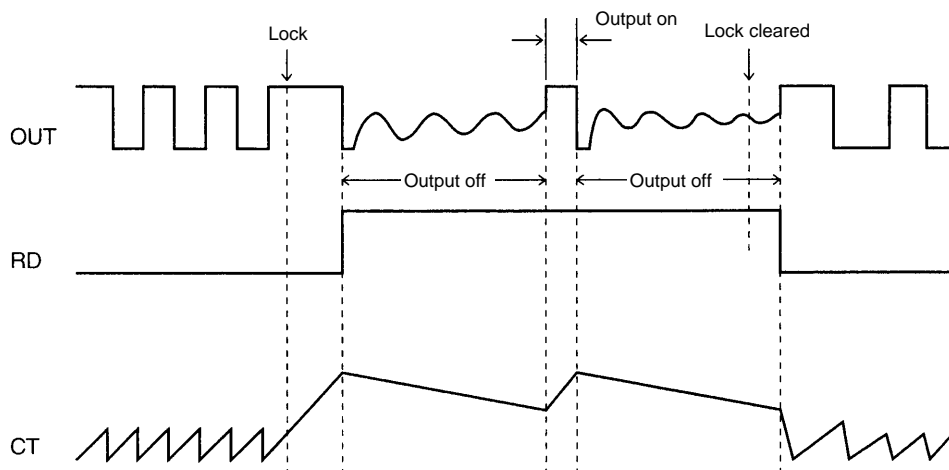
LB1862M

Startup

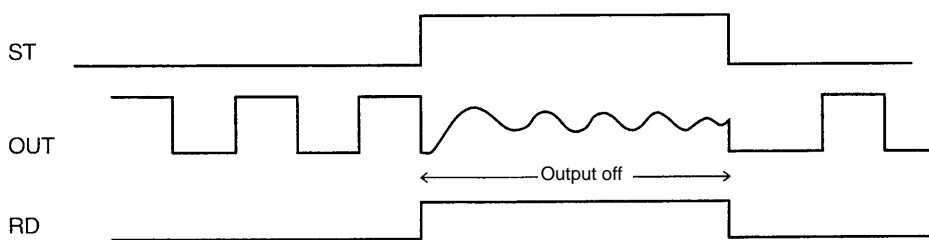


A07360

Lock Protection/Automatic Recovery



Start/Stop



A07361

Design Notes

1. V_{CC} pin

This pin provides power for motor drive and the control circuits.

The LB1862M supports a wide range of operating voltages, from 3.8 to 16.8 V, and thus can be used in applications that support both 5-V and 12-V systems.

2. OUT1 and OUT2 pins

Single-phase coil outputs.

The output is a high side inverted, low side single bipolar output. Since a regeneration circuit is included on chip, the kickback current is regenerated across the low side NPN output even if a diode is used to protect the circuit against being destroyed by reversed polarity connection.

3. IN⁻ and IN⁺ pins

Hall element inputs.

The Hall signal is amplified to be a square wave by the Hall amplifier, which has hysteresis characteristics.

A hysteresis of ± 3.5 mV (typical) is applied. A Hall input signal amplitude of 70 mV or higher is recommended.

4. CT pin

The capacitor connected between this pin and ground forms a protection circuit that prevents coil burnout if the motor locks.

If the motor load returns to an appropriate level, the automatic recovery circuit will restart motor rotation. The lock detection time can be set by changing the value of the capacitor.

If a 0.47 μ F capacitor is used:

Lock detection time: About 0.5 second

Lock protection time/automatic recovery time: About 0.16 second (output on)

About 1 second (output off)

This pin should be tied to ground if the lock protection function is not used.

5. RD pin

This is an open collector output that is low while the motor is turning and high impedance when the locked state is detected.

This is a latch type output that holds the output high-impedance state if motor rotation is not restarted by the automatic recovery circuit.

6. ST and HB pins

ST pin: Stops motor drive when a high level is input.

When ST is high, the RD pin output will go to the high-impedance state indicating lock protection mode.

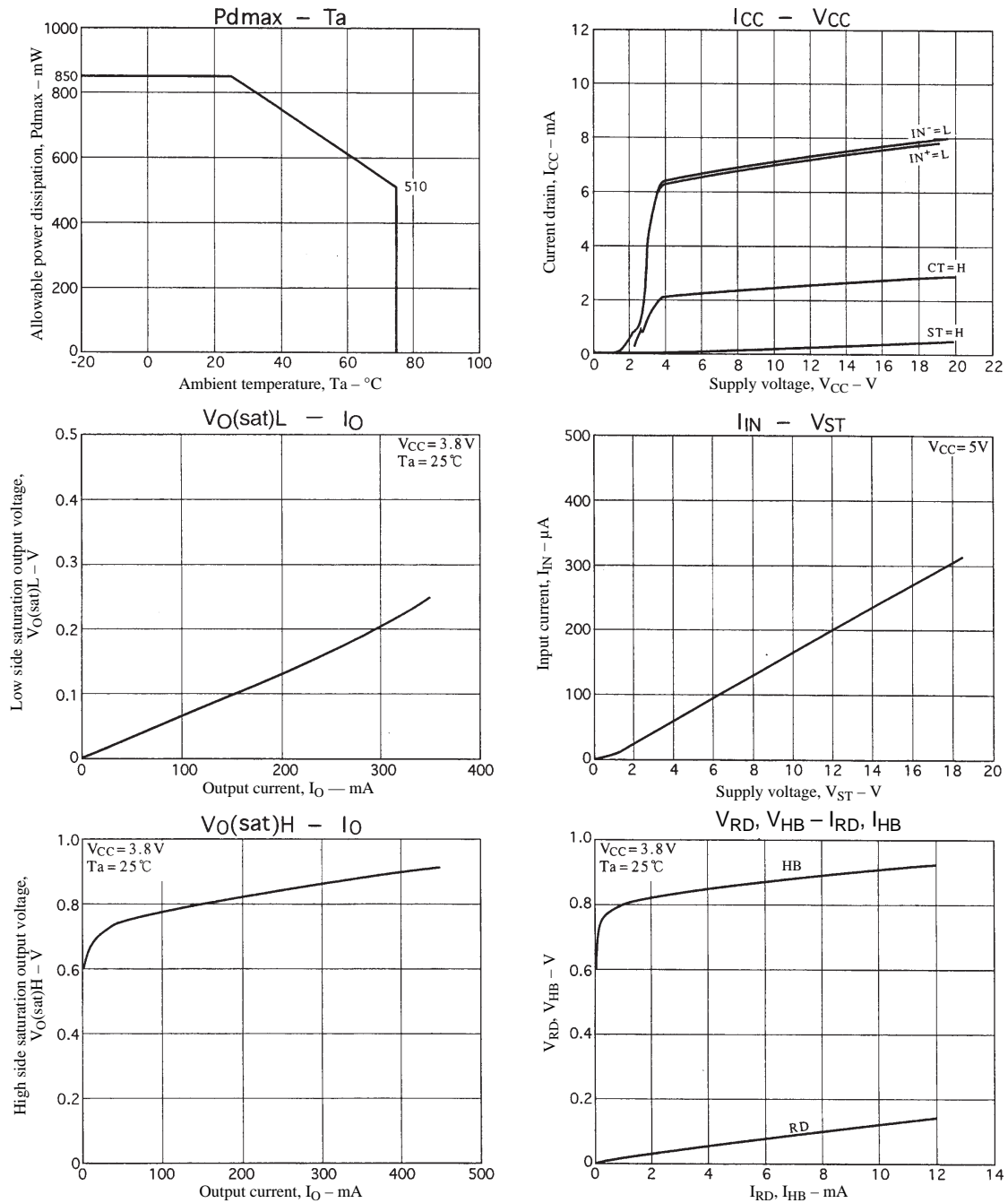
HB pin: Switches the Hall bias. When a high level is input to the ST pin, applications should switch the Hall bias to suppress standby mode current drain.

Both these pins should be left open if unused.

7. Thermal shutdown circuit

This circuit protects the IC by limiting the output current if the IC internal temperature reaches $T_j = 180^\circ\text{C}$.

LB1862M



- No products described or contained herein are intended for use in surgical implants, life-support systems, aerospace equipment, nuclear power control systems, vehicles, disaster/crime-prevention equipment and the like, the failure of which may directly or indirectly cause injury, death or property loss.
- Anyone purchasing any products described or contained herein for an above-mentioned use shall:
 - ① Accept full responsibility and indemnify and defend SANYO ELECTRIC CO., LTD., its affiliates, subsidiaries and distributors and all their officers and employees, jointly and severally, against any and all claims and litigation and all damages, cost and expenses associated with such use.
 - ② Not impose any responsibility for any fault or negligence which may be cited in any such claim or litigation on SANYO ELECTRIC CO., LTD., its affiliates, subsidiaries and distributors or any of their officers and employees jointly or severally.
- Information (including circuit diagrams and circuit parameters) herein is for example only; it is not guaranteed for volume production. SANYO believes information herein is accurate and reliable, but no guarantees are made or implied regarding its use or any infringements of intellectual property rights or other rights of third parties.