

**SANYO**

No. 4626

**LB1882V****Three-Phase Brushless Motor Driver****Overview**

The LB1882V is a three-phase brushless motor driver IC that is particularly well-suited for driving spindle motors in portable AV equipment such as DAT, CD and MD products.

**Features**

- Current linear drive: allows external capacitances to be minimized.
- Motor voltage control: reduces power dissipation.
- Support for motor drive at power supply voltages as low as 1.8 V
- Built-in torque ripple correction circuit
- Built-in saturation prevention circuit
- Built-in AGC circuit
- Built-in thermal shutdown circuit
- Built-in current limiter
- Built-in FG amplifier

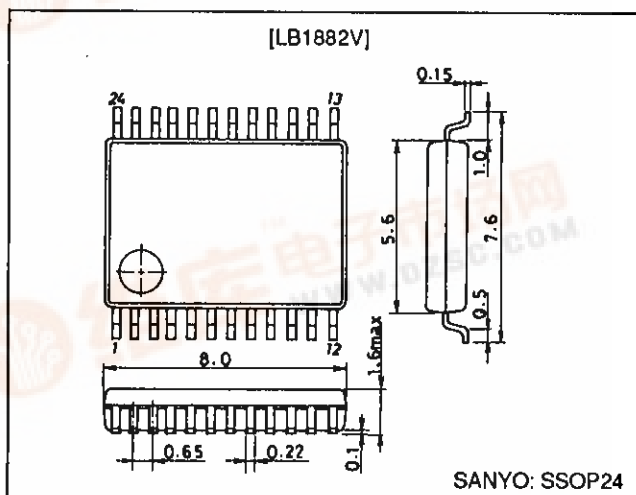
**Specifications**

Absolute Maximum Ratings at  $T_a = 25^\circ\text{C}$

Parameter	Symbol	Ratings	Unit
Maximum supply voltage	$V_{CC1 \text{ max}}$	8	V
	$V_{CC2 \text{ max}}$	12	V
	$V_S \text{ max}$	$V_{CC1}$	V
Maximum output current	$I_O \text{ max}$	1.0	A
Allowable power dissipation	$P_d \text{ max}$	0.5	W
Operating temperature	$T_{opr}$	-20 to +75	$^\circ\text{C}$
Storage temperature	$T_{stg}$	-55 to +150	$^\circ\text{C}$

**Package Dimensions**

unit: mm

**3175A-SSOP24**

## LB1882V

### Operating Conditions at Ta = 25°C

Parameter	Symbol	Ratings	Unit
Supply voltage	V <sub>CC1</sub>	1.8 to 6.0	V
	V <sub>CC2</sub>	3 to 10	V
	V <sub>S</sub>	Up to V <sub>CC1</sub>	V

### Electrical Characteristics at Ta = 25°C, V<sub>CC1</sub> = 2.5 V, V<sub>CC2</sub> = 4.5 V, V<sub>S</sub> = 1 V

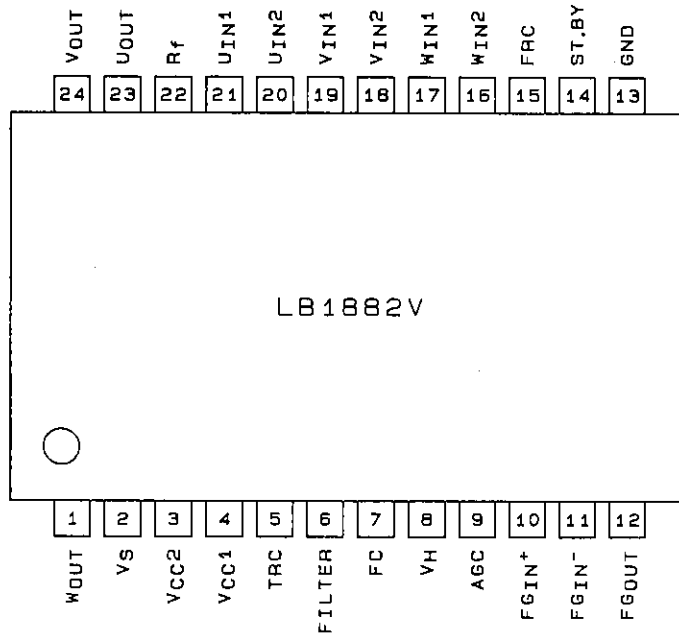
Parameter	Symbol	Conditions	min	typ	max	Unit	Note
Current drain	I <sub>CC1</sub>			5	8	mA	
	I <sub>CC2</sub>				2	mA	
	I <sub>S</sub>	I <sub>S</sub> - I <sub>L</sub>			1	mA	
Output quiescent current	I <sub>CC 100</sub>	V <sub>STBY</sub> = 0 V			10	μA	
	I <sub>CC 200</sub>	V <sub>STBY</sub> = 0 V			10	μA	
	I <sub>SOQ</sub>	V <sub>STBY</sub> = 0 V			10	μA	
Output saturation voltage upper side	V <sub>OU (sat)1</sub>	V <sub>RF</sub> = 40 mV, R <sub>L</sub> = 100 Ω (Y)	25		65	mV	
	V <sub>OU (sat)2</sub>	V <sub>RF</sub> = 100 mV, R <sub>L</sub> = 100 Ω (Y)	25		65	mV	
Output residual voltage lower side	V <sub>OD (sat)1</sub>	V <sub>RF</sub> = 40 mV, R <sub>L</sub> = 100 Ω (Y)	200		280	mV	
	V <sub>OD (sat)2</sub>	V <sub>RF</sub> = 100 mV, R <sub>L</sub> = 100 Ω (Y)	285		365	mV	
Hall amplifier input offset voltage	V <sub>Hoffset</sub>		-5		+5	mV	*
Hall amplifier common-mode input voltage range	V <sub>HCOM</sub>		1.2		2.5	V	
Standby pin high level voltage	V <sub>STBYH</sub>		2.0			V	
Standby pin low level voltage	V <sub>STBYL</sub>				0.4	V	
Standby pin input current	I <sub>LSTBY</sub>	V <sub>STBY</sub> = 4.5 V			120	μA	
Standby pin leakage current	I <sub>LSTBY</sub>	V <sub>STBY</sub> = 0 V	-30			μA	
FRC pin high level voltage	V <sub>FRCH</sub>		1.6			V	
FRC pin low level voltage	V <sub>FRCL</sub>				0.4	V	
FRC pin input current	I <sub>IFRC</sub>	V <sub>FRC</sub> = 4.5 V			100	μA	
FRC pin leakage current	I <sub>LFRC</sub>	V <sub>FRC</sub> = 0 V	-30			μA	
Thermal shutdown operating temperature	T <sub>TSD</sub>		150	180	210	°C	*
Thermal shutdown hysteresis	ΔT <sub>TSD</sub>			15		°C	*
[FG Amplifier]							
Common-mode input voltage range	V <sub>ICR</sub>		1.2		3.3	V	
Input offset voltage	V <sub>IO</sub>		-5		+5	mV	*
Output saturation voltage	V <sub>SINK</sub>	R <sub>L</sub> = 10 kΩ			0.2	V	
Output current (sink)	I <sub>SINK</sub>				2	mV	

Note: \* Items marked with an asterisk are design target values and are not tested.

- No products described or contained herein are intended for use in surgical implants, life-support systems, aerospace equipment, nuclear power control systems, vehicles, disaster/crime-prevention equipment and the like, the failure of which may directly or indirectly cause injury, death or property loss.
- Anyone purchasing any products described or contained herein for an above-mentioned use shall:
  - ① Accept full responsibility and indemnify and defend SANYO ELECTRIC CO., LTD., its affiliates, subsidiaries and distributors and all their officers and employees, jointly and severally, against any and all claims and litigation and all damages, cost and expenses associated with such use:
  - ② Not impose any responsibility for any fault or negligence which may be cited in any such claim or litigation on SANYO ELECTRIC CO., LTD., its affiliates, subsidiaries and distributors or any of their officers and employees jointly or severally.
- Information (including circuit diagrams and circuit parameters) herein is for example only; it is not guaranteed for volume production. SANYO believes information herein is accurate and reliable, but no guarantees are made or implied regarding its use or any infringements of intellectual property rights or other rights of third parties.

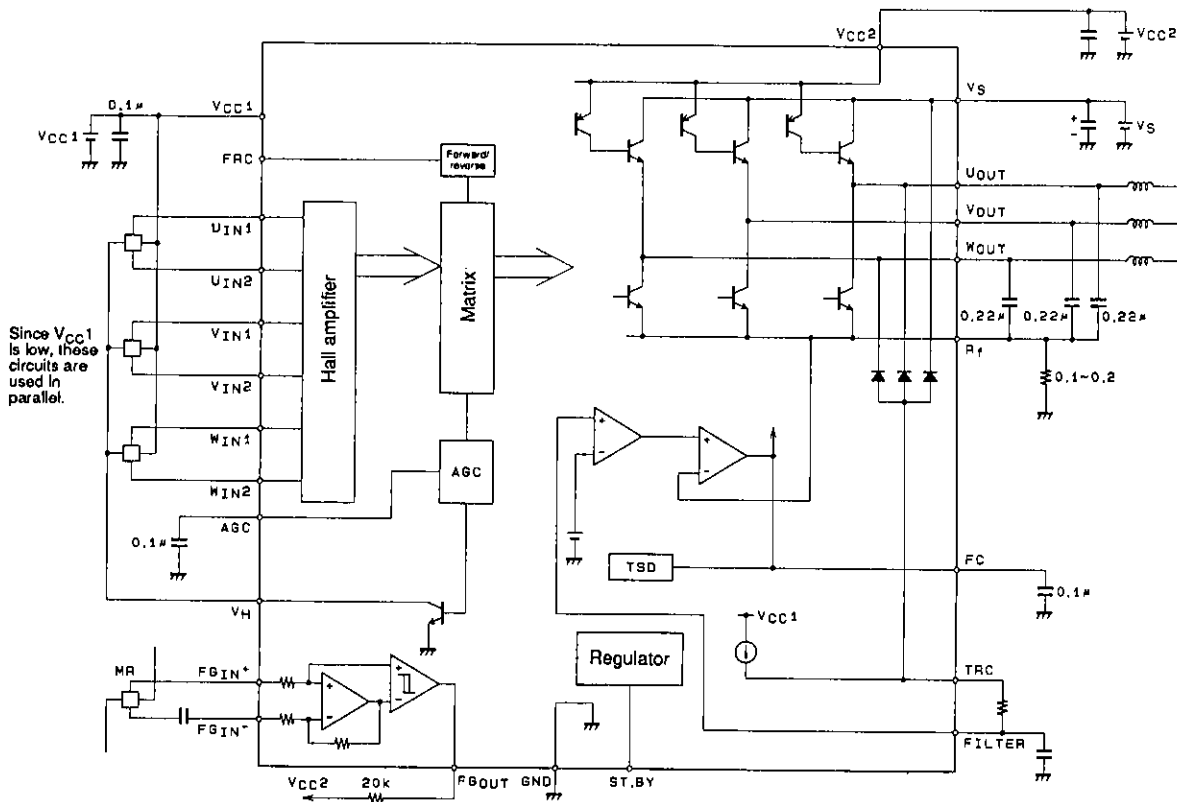
# LB1882V

## Pin Assignment (top view)



A01703

## Block Diagram and Sample Application Circuit



A01704

Unit (resistance: Ω, capacitance: F)

LB1882V

Truth Table

	Source	Sink	Input			Forward/reverse control
			U	V	W	
1	W phase → V phase		H	H	L	L
	V phase → W phase					H
2	W phase → U phase		H	L	L	L
	U phase → W phase					H
3	V phase → W phase		L	L	H	L
	W phase → V phase					L
4	U phase → V phase		L	H	L	L
	V phase → U phase					L
5	V phase → U phase		H	L	H	L
	U phase → V phase					H
6	U phase → W phase		L	H	H	L
	W phase → U phase					L

Inputs: "H" means that the input 1 potential for the corresponding phase is at least 0.2 V higher than the input 2 potential.

"L" means that the input 1 potential for the corresponding phase is at least 0.2 V lower than the input 2 potential.

Forward/reverse control: "H": 1.6 V to V<sub>CC2</sub>

"L": 0 V to 0.4 V

Pin Functions

Unit (resistance: Ω, current: A)

Pin No.	Symbol	Pin voltage	Equivalent circuit	Pin function
2	V <sub>S</sub>	≤ V <sub>CC1</sub>		Power supply that provides the motor voltage and determines the output amplitude This voltage must be lower than V <sub>CC1</sub> .
3	V <sub>CC2</sub>	≥ V <sub>CC1</sub> 3 V to 10 V		Power supply that provides the voltage for the source side pre-drive PNP transistor and the FG amplifier
4	V <sub>CC1</sub>	1.8 V to 6 V		Power supply that provides all voltages other than the motor voltage, the source side pre-drive voltage and the FG amplifier voltage
5	TRC		<p>A01705</p>	Coil output waveform lower side saturation waveform detection
6	FILTER		<p>A01706</p>	The coil output saturation prevention function operates using an RC filter (a resistor between this pin and the TRC pin and a capacitor between this pin and ground) connected at this pin. Motor speed (r.p.m.) control can then be achieved by adjusting the voltage on pin V <sub>S</sub> . The torque ripple correction amount can be adjusted by adjusting this RC constant.

LB1882V

Continued from preceding page.

Unit (resistance:  $\Omega$ , current: A)

Pin No.	Symbol	Pin voltage	Equivalent circuit	Pin function
7	FC		<p style="text-align: right;">A01707</p>	<p>Frequency characteristics correction</p> <p>The capacitor connected between this pin and ground stops closed-loop oscillation in the current control system.</p>
8	V <sub>H</sub>		<p style="text-align: right;">A01708</p>	<p>The Hall elements are connected between this pin and V<sub>CC1</sub>. The AGC circuit adjusts the Hall bias current so that the coil output slope remains fixed. Since the Hall amplifier common-mode voltage range is reduced when a low voltage is used for V<sub>CC1</sub>, the Hall elements should be connected in parallel.</p>
9	AGC		<p style="text-align: right;">A01709</p>	<p>A capacitor is inserted between this pin and ground. The AGC circuit controls the Hall bias current so that the coil output slope remains fixed.</p>
10 11	FG <sub>IN</sub> <sup>+</sup> FG <sub>IN</sub> <sup>-</sup>	1.2 V min 3.3 V max	<p style="text-align: right;">A01710</p>	<p>FG amplifier input</p>
12	FG <sub>OUT</sub>	V <sub>CC2</sub> max	<p style="text-align: right;">A01711</p>	<p>FG amplifier output</p>

Continued on next page.

## LB1882V

Continued from preceding page.

Unit (resistance:  $\Omega$ , current: A)

Pin No.	Symbol	Pin voltage	Equivalent circuit	Pin function
13	GND			Ground for all circuits other than the output circuits
14	ST, BY	$V_{CC2}$ max	<p style="text-align: right;">A01712</p>	All circuits stop when this pin falls below 0.4 V or is open. In this state, the circuit current will be 10 $\mu$ A or lower. Set this pin to 2 V or higher to operate the LB1882V in the motor drive state.
15	FRC	$V_{CC2}$ max	<p style="text-align: right;">A01713</p>	Motor forward/reverse switching Low level: Forward (0 to 0.4 V) High level: Reverse (1.6 V to $V_{CC2}$ )
16 17 18 19 20 21	$W_{IN2}$ $W_{IN1}$ $V_{IN2}$ $V_{IN1}$ $U_{IN2}$ $U_{IN1}$	1.2 V min 2.5 V max  ( $V_{CC1}$ is 2.5 V when $T_a$ is 25°C.)	<p style="text-align: right;">A01714</p>	W-phase Hall device input The logic high level is the state where $W_{IN1} > W_{IN2}$ . V-phase Hall device input The logic high level is the state where $V_{IN1} > V_{IN2}$ . U-phase Hall device input The logic high level is the state where $U_{IN1} > U_{IN1}$ .
22 23 24 1	RF  $U_{OUT}$ $V_{OUT}$ $W_{OUT}$		<p style="text-align: right;">A01715</p>	Output transistor ground Detecting the voltage on this pin is used to implement fixed current drive and the current limiter function. U-phase output V-phase output W-phase output

## LB1882V Operating Principles

The LB1882V implements a current linear drive method, and controls the motor speed with the motor power supply voltage by always preventing coil output saturation and holding the output saturation voltage fixed.

### 1. Control system (See page 8)

- The TRC pin outputs a signal consisting of the coil output voltage lower-side envelope plus the diode rising voltage.
- The TRC waveform, after the high-frequency components are reduced by a low-pass filter consisting of an RC circuit connected to the FILTER pin, is input to the FILTER pin. The cutoff frequency is  $1/2\pi \cdot RC$ .
- The FILTER pin voltage is input to the control amplifier plus side. The control amplifier minus side is connected to the reference voltage and the control amplifier operates to hold the FILTER pin at the same potential as this reference voltage. As long as this reference voltage exceeds the output transistor saturation voltage, the coil output will operate in the unsaturated state.
- The output current (the RF current) operates as a fixed current drive, since lower-side the RF voltage, is held at a fixed level by the second stage of the control amplifier.

Note: The low-frequency components that are not removed by the TRC pin RC filter function as motor torque ripple correction signals.

### 2. Drive system (See page 8.)

- The Hall element output is wave shaped by the first stage of the Hall amplifier.
- The Hall amplifier output waveform is synthesized by the matrix amplifier, which creates a waveform phase delayed by  $30^\circ$ .
- This waveform is voltage-to-current converted and is then further current amplified and output as the coil current by the power amplifier. Since the upper and lower transistor drive ratios differ here (the upper transistor drive ratio is larger), the upper side voltage waveform is saturated, and the lower-side voltage waveform is unsaturated.

Note: The AGC circuit controls the Hall bias current so that the matrix amplifier output waveform has a fixed amplitude.

LB1882V

Control System Signal Flow

